

BALDOR® • RELIANCE 

Product Information Packet

CECP83582-4

1HP,1160RPM,3PH,60HZ,56C,0526M,TEFC,F3,N

Part Detail							
Revision:	H	Status:	PRD/A	Change #:		Proprietary:	No
Type:	AC	Elec. Spec:	05WGX259	CD Diagram:	CD0006	Mfg Plant:	
Mech. Spec:	05G312	Layout:	05LYG312	Poles:	06	Created Date:	10-05-2017
Base:	RG	Eff. Date:	08-27-2021	Leads:	3#18		

Specs			
Catalog Number:	CECP83582-4	Inverter Code:	Inverter Duty
Enclosure:	TEFC	KVA Code:	K
Frame:	56C	Lifting Lugs:	No Lifting Lugs
Frame Material:	Iron	Locked Bearing Indicator:	Locked Bearing
Output @ Frequency:	1.000 HP @ 60 HZ	Motor Lead Quantity/Wire Size:	3 @ 18 AWG
Synchronous Speed @ Frequency:	1200 RPM @ 60 HZ	Motor Lead Exit:	Ko Box
Voltage @ Frequency:	460.0 V @ 60 HZ	Motor Lead Termination:	Flying Leads
XP Class and Group:	CLI GP A,B,C,D	Motor Type:	0526M
XP Division:	Division II	Mounting Arrangement:	F3
Agency Approvals:	CSA	Power Factor:	66
	CSA EEV	Product Family:	Chem Process S/P 32-8 IEEE 841
	UR	Pulley End Bearing Type:	Ball
Auxillary Box:	No Auxillary Box	Pulley Face Code:	C-Face
Auxillary Box Lead Termination:	None	Pulley Shaft Indicator:	Standard
Base Indicator:	Rigid	Rodent Screen:	None
Bearing Grease Type:	Polyrex EM (-20F +300F)	RoHS Status:	ROHS COMPLIANT
Blower:	None	Shaft Extension Location:	Pulley End
Constant Torque Speed Range:	2	Shaft Ground Indicator:	No Shaft Grounding

Current @ Voltage:	1.700 A @ 460.0 V	Shaft Rotation:	Reversible
Design Code:	B	Shaft Slinger Indicator:	No Slinger
Drip Cover:	No Drip Cover	Speed Code:	Single Speed
Duty Rating:	CONT	Motor Standards:	NEMA
Electrically Isolated Bearing:	Not Electrically Isolated	Starting Method:	Direct on line
Feedback Device:	NO FEEDBACK	Thermal Device - Bearing:	None
Front Face Code:	Standard	Thermal Device - Winding:	None
Front Shaft Indicator:	None	Vibration Sensor Indicator:	No Vibration Sensor
Heater Indicator:	No Heater	Winding Thermal 1:	None
Insulation Class:	F	Winding Thermal 2:	None
		XP Temp Code:	T4

Nameplate NP3235E			
CAT.NO.	CECP83582-4		
SPEC.	05G312X259G1		
HP	1	TE	IP 56
VOLTS	460		
AMPS	1.7		
R.P.M.	1160		
FRAME	56C	HZ	60
SER.F.	1.15	CODE	K DES. B
RATING	40C AMB-CONT		
SN			
DE	6205	ODE	6205
NEMA NOM. EFF.	82.5	P.F.	66
GUAR. MIN. EFF.	80	CC	010A
T. CODE	T4	TEMP=	135
		PH	3
		CLASS	F

Nameplate NP3186E				
SPEC.	05G312X259G1			
ABMA DE BRG	25BC02X30X			
ABMA ODE BRG	25BC02X30X			
GREASE	POLYREX EM			
MOTOR WEIGHT	56	ROTOR BARS	27	
MAX. R.P.M.	1800	MAX. KVAR	0.59	
		STATOR BARS	36	
INV. TYPE	PWM			
T=	135			
CHP	60	TO	90	
CT	2	TO	60	
VT	0-	TO	60	
HTR-VOLTS	N/A		HTR-AMPS	N/A
HTR-WATTS	N/A		MAX. SPACE HEATER TEMP.	N/A

Parts List		
Part Number	Description	Quantity
SA345948	SA 05G312X259G1	1.000 EA
RA334446	RA 05G312X259G1	1.000 EA
35FN3002A05SP	EXFN, PLASTIC, 6.376 OD, .638 ID	1.000 EA
85XU1208S08	#12 X 1/2 ROUND DRIVE PIN STAINLESS	1.000 EA
07CB1000A02G	CONDUIT BOX, MODEL 306,EXP. PROOF,W/MG10	1.000 EA
RM1016	LEAD SEPARATOR GASKET - 305/306 C.P.MOTO	1.000 EA
51XF2520A16	SCREW,HEX SER SLT HD,ZN 1/4-20X1.00LG TD	2.000 EA
11XW1032G06	10-32 X .38, TAPTITE II, HEX WSHR SLTD U	1.000 EA
HW3001B01	BRASS CUP WASHER, FOR #10 SCREW	1.000 EA
10XN2520G06	1/4 20X3/8 HX HD CAP, GREEN	1.000 EA
WD1000B16	T&B CX70TN OR L70P TERMINAL LUG	1.000 EA
51XN1032A20	10-32 X 1 1/4 HX WS SL SR	2.000 EA
05EP1100A46G	FREP TEFC 205,GRSR,RLF,DRAIN FITTING,INP	1.000 EA
HW4601B22	INPRO SEAL, 205 BRG, MINI66	1.000 EA
HW4500A32	FIT./EXT 1698-B (ALEMITE)GREASE FITTING	1.000 EA
HA4051A00	PLASTIC CAP FOR GREASE FITTING	1.000 EA
HW4500A17	317400 ALEMITE GREASE RELIEF	1.000 EA
HA4010A01	T-DRAIN PLUG,416 S.S.,W/ 1/4-28 THD & .0	1.000 EA
HA4010	DRAIN PLUG,416 S.S.,W/ 1/4-28 THD	3.000 EA
HW5100A05	WVY WSHR F/205 & 304 BRGS	1.000 EA
35EP1329B03G	EP ENCL 205 BRG,GRSR,RLF,DRAINS,INPRO	1.000 EA
HW4601B22	INPRO SEAL, 205 BRG, MINI66	1.000 EA
HW4500A01	1641B(ALEMITE)400 UNIV, GREASE FITT	1.000 EA
HA4051A00	PLASTIC CAP FOR GREASE FITTING	1.000 EA

Parts List (continued)		
Part Number	Description	Quantity
HW4500A17	317400 ALEMITE GREASE RELIEF	1.000 EA
HA4010A01	T-DRAIN PLUG,416 S.S.,W/ 1/4-28 THD & .0	1.000 EA
HA4010	DRAIN PLUG,416 S.S.,W/ 1/4-28 THD	3.000 EA
51XN1032A20	10-32 X 1 1/4 HX WS SL SR	2.000 EA
HA3100A68	10-32X9.688 THRUBOLT	4.000 EA
35FH1000A19G	35FH1000A19 W/GRAY FLUIDIZ	1.000 EA
10XN2520A16	1/4-20 X 1 HEX HEAD CAP SCR, ZINC PLATED	3.000 EA
HW1001A25	LOCKWASHER 1/4, ZINC PLT .493 OD, .255 I	4.000 EA
HW1001A25	LOCKWASHER 1/4, ZINC PLT .493 OD, .255 I	3.000 EA
51XB1214A16	12-14X1.00 HXWSSLD SERTYB	1.000 EA
07CB1502A06G	CONDUIT BOX LID MACH, MACH GRAY	1.000 EA
07GS1007	GASKET, CONDUIT BOX, .125 THICK BLACK NE	1.000 EA
10XN2520A16	1/4-20 X 1 HEX HEAD CAP SCR, ZINC PLATED	4.000 EA
HW2501D13	KEY, 3/16 SQ X 1.375	1.000 EA
HA7000A01	KEY RETAINER 7/8" DIA SHAFT	1.000 EA
MJ5004A59	ADHESIVE LOCTITE #401 SURFACE INSENSITIV	0.010 EA
MJ5001A27	32220KN GRAY SEALER *MIN BUY 4 QTS=1GAL	0.001 QT
MJ1000A73	INPRO P-80 ASSEMBLY LUB./ 1 QT. CONTAIN	0.001 QT
85XU0407S04	4X1/4 U DRIVE PIN STAINLESS	4.000 EA
LT0019A00	MOTOR NO-LOAD PERFORMANCE DATA SHEET	1.000 EA
WD1000D21	TRM,T&B #B71M,RING,18-14,.25,NON-INSL	3.000 EA
MJ1000A02	GREASE, MOBIL POLYREX EM - 124047	0.050 LB
MG1025N19	WILKOFAS, 778.50, RELIANCE BLUE-GREEN	0.022 GA
MG1500Y02	WILKOPON PRIMER YELLOW	0.025 GA

Product Information Packet: CECP83582-4 - 1HP,1160RPM,3PH,60HZ,56C,0526M,TEFC,F3,N

LB1119N	WARNING LABEL	1.000 EA
LB1449	DIV-2/NEC WARNING LABEL	1.000 EA
LC0006	CONNECTION LABEL	1.000 EA
NP3235E	SS IEEE841 DIV-2 UL CSA-C US EEV PREM	1.000 EA
NP3186E	SS IEEE841 INV AUX DATA INFORMATION	1.000 EA
36PA1001	PKG GRP, PRINT PK1017A06	1.000 EA
MN416A01	TAG-INSTAL-MAINT no wire (2100/bx) 4/22	1.000 EA

AC Induction Motor Performance Data

Record # 47149

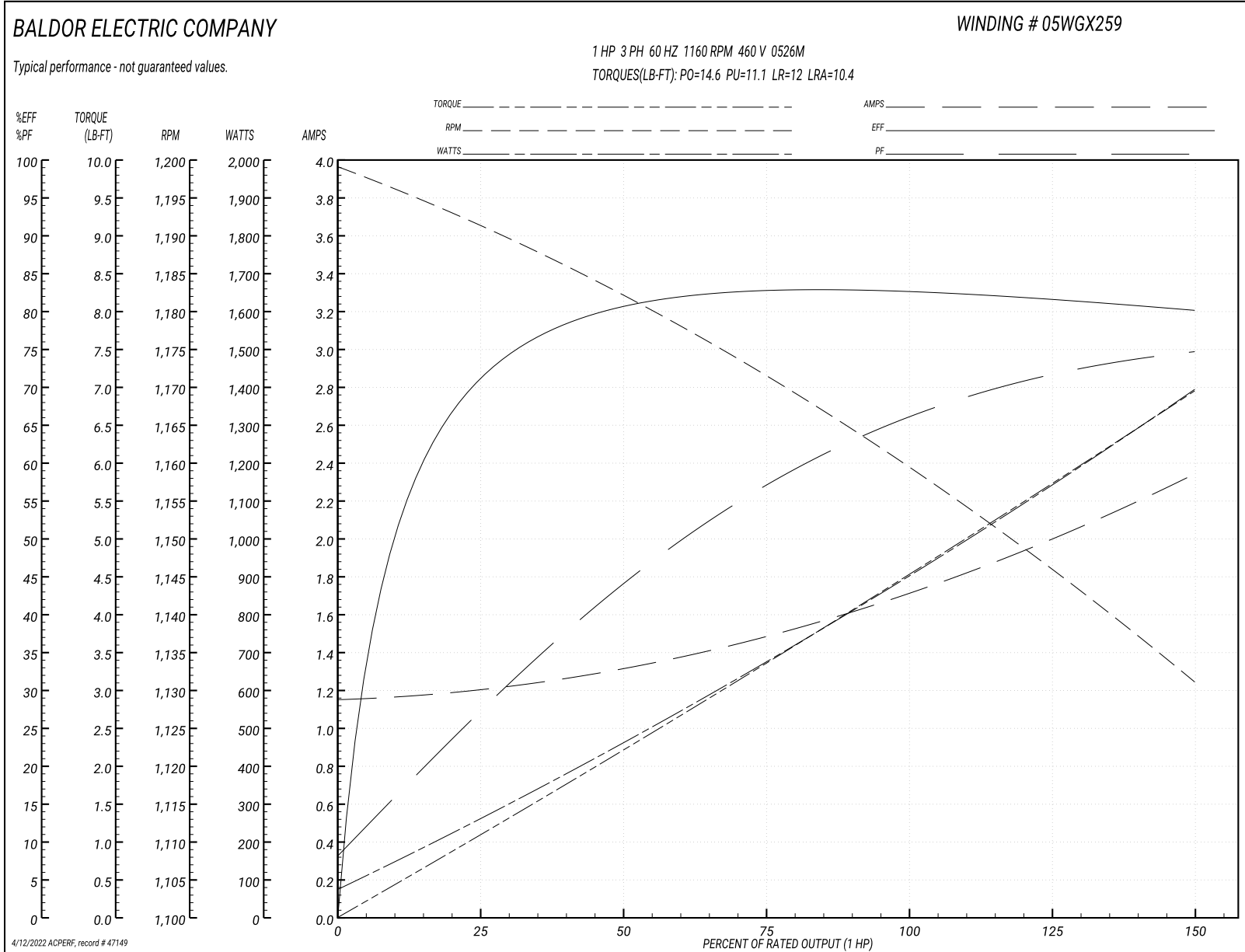
Typical performance - not guaranteed values

Winding: 05WGX259-R017		Type: 0526M		Enclosure: TEFC	
Nameplate Data			460 V, 60 Hz: Single Voltage Motor		
Rated Output (HP)	1	Full Load Torque	4.53 LB-FT		
Volts	460	Start Configuration	direct on line		
Full Load Amps	1.7	Breakdown Torque	14.6 LB-FT		
R.P.M.	1160	Pull-up Torque	11.1 LB-FT		
Hz	60 Phase	3	Locked-rotor Torque	12 LB-FT	
NEMA Design Code	B KVA Code	K	Starting Current	10.4 A	
Service Factor (S.F.)	1.15		No-load Current	1.16 A	
NEMA Nom. Eff.	82.5	Power Factor	66	Line-line Res. @ 25°C	17.6 Ω
Rating - Duty	40C AMB-CONT		Temp. Rise @ Rated Load	35°C	
S.F. Amps			Temp. Rise @ S.F. Load	42°C	
			Locked-rotor Power Factor	44.5	
			Rotor inertia	0.155 LB-FT ²	

Load Characteristics 460 V, 60 Hz, 1 HP

% of Rated Load	25	50	75	100	125	150	S.F.
Power Factor	27	45	57	66	72	75	70
Efficiency	70.2	80	82.6	83	81.8	79.9	82.3
Speed	1192	1182	1171	1160	1146	1131	1152
Line amperes	1.19	1.31	1.49	1.72	2	2.34	1.89

Performance Graph at 460V, 60Hz, 1.0HP Typical performance - Not guaranteed values



AC Induction Motor Performance Data

Record # 73776

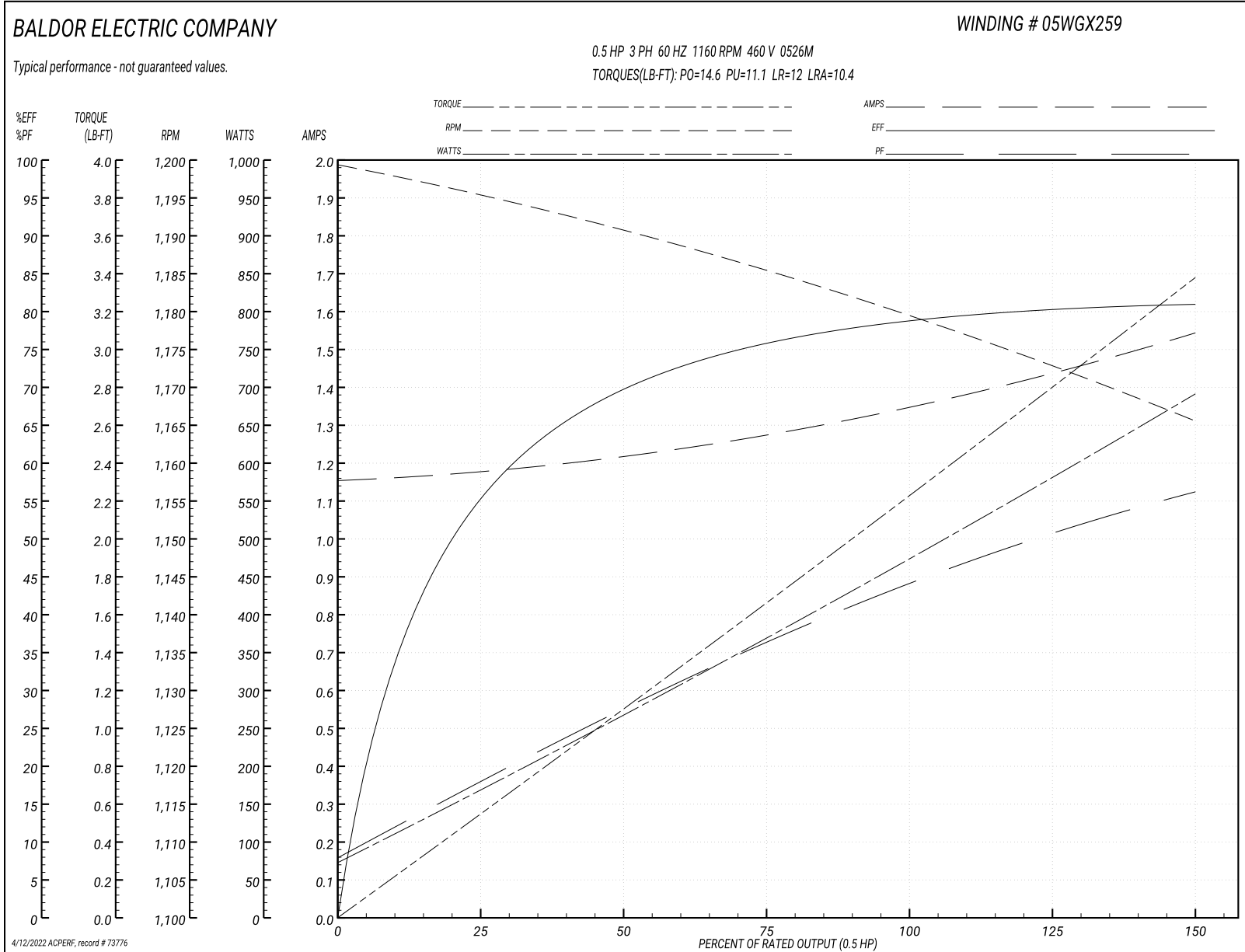
Typical performance - not guaranteed values

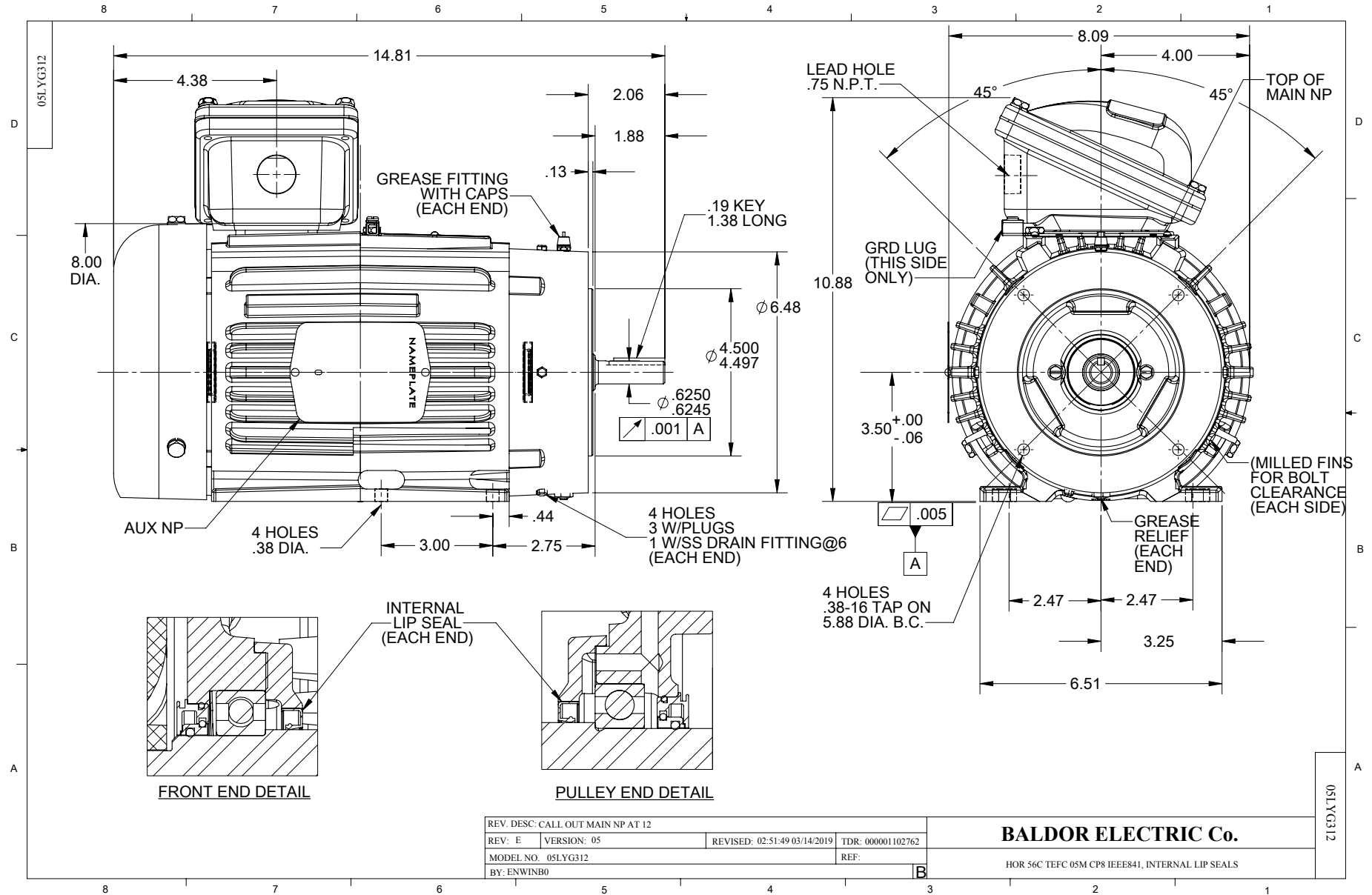
Winding: 05WGX259-R017		Type: 0526M		Enclosure: TEFC	
Nameplate Data			460 V, 60 Hz: Single Voltage Motor		
Rated Output (HP)	1	Full Load Torque	2.23 LB-FT		
Volts	460	Start Configuration	direct on line		
Full Load Amps	1.7	Breakdown Torque	14.6 LB-FT		
R.P.M.	1160	Pull-up Torque	11.1 LB-FT		
Hz	60 Phase	3	Locked-rotor Torque	12 LB-FT	
NEMA Design Code	B KVA Code	K	Starting Current	10.4 A	
Service Factor (S.F.)	1.15		No-load Current	1.16 A	
NEMA Nom. Eff.	82.5	Power Factor	66	Line-line Res. @ 25°C	17.6 Ω
Rating - Duty	40C AMB-CONT		Temp. Rise @ Rated Load	22°C	
S.F. Amps			Temp. Rise @ S.F. Load	23°C	
			Locked-rotor Power Factor	44.5	
			Rotor inertia	0.155 LB-FT ²	

Load Characteristics 460 V, 60 Hz, 0.5 HP

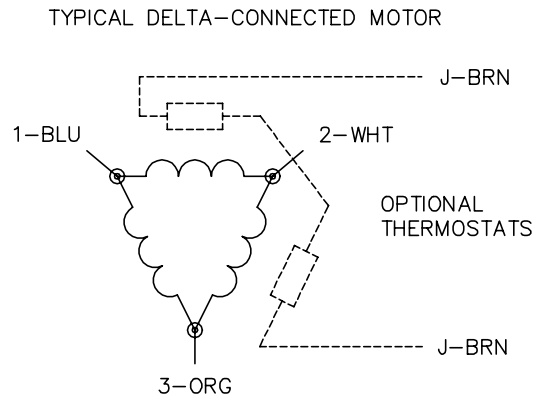
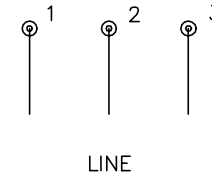
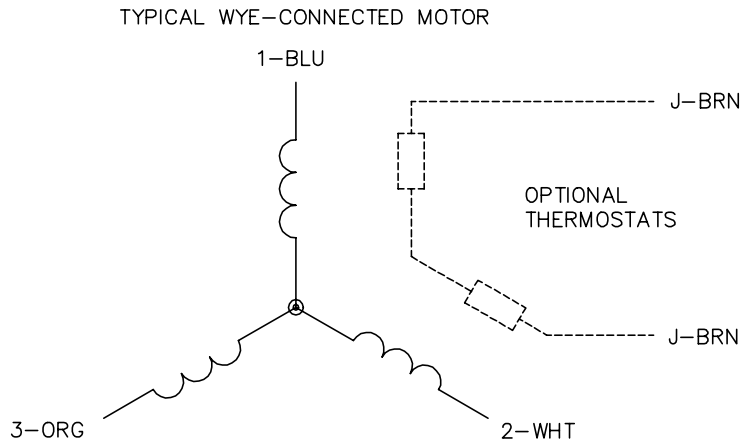
% of Rated Load	25	50	75	100	125	150	S.F.
Power Factor	18	28	36	44	51	56	48
Efficiency	54.8	69.1	75.7	79.2	80.2	80.9	79.8
Speed	1196	1191	1185	1180	1172	1166	1175
Line amperes	1.17	1.21	1.28	1.35	1.44	1.54	1.4

Performance Graph at 460V, 60Hz, 0.5HP Typical performance - Not guaranteed values





CD0006



NOTES:

1. THREE LEAD MOTOR MAY BE EITHER WYE CONNECTED OR DELTA CONNECTED.
2. INTERCHANGE ANY TWO LINE LEADS TO REVERSE ROTATION.
3. OPTIONAL THERMOSTATS ARE PROVIDED WHEN SPECIFIED.
4. ACTUAL NUMBER OF INTERNAL PARALLEL CIRCUITS MAY VARY.
5. LEAD COLORS ARE OPTIONAL. LEADS MUST BE NUMBERED AS SHOWN.

CD0006

REV. DESC: ADD CLASS CONN00000007		
REV. LTR: E	VERSION: 01	TDR: 000001099922
FILE: \AAA\00005\141	REVISED: 10:24:49 02/19/2019	BY: ENBRIRO
MTL: -	© □	

BALDOR - RELIANCE®

3PH, SV, 3 LEADS, WYE OR DELTA CONNECTED

SH 1 of 1