

**BALDOR® • RELIANCE** 

**Product Information Packet**

**CECP83582T-4**

**1HP, 1160RPM, 3PH, 60HZ, 145TC, 0526M, TEFC, F1**

Part Detail							
Revision:	U	Status:	PRD/A	Change #:		Proprietary:	No
Type:	AC	Elec. Spec:	05WGX259	CD Diagram:	CD0006	Mfg Plant:	
Mech. Spec:	05EE943	Layout:	05LYEE943	Poles:	06	Created Date:	01-14-2014
Base:	RG	Eff. Date:	08-27-2021	Leads:	3#18		

Specs			
Catalog Number:	CECP83582T-4	Insulation Class:	F
Enclosure:	TEFC	Inverter Code:	Inverter Duty
Frame:	145TC	KVA Code:	K
Frame Material:	Iron	Lifting Lugs:	Standard Lifting Lugs
Output @ Frequency:	1.000 HP @ 60 HZ	Locked Bearing Indicator:	Locked Bearing
Synchronous Speed @ Frequency:	1200 RPM @ 60 HZ	Motor Lead Quantity/Wire Size:	3 @ 18 AWG
Voltage @ Frequency:	460.0 V @ 60 HZ	Motor Lead Exit:	Ko Box
XP Class and Group:	CLI GP A,B,C,D	Motor Lead Termination:	Flying Leads
XP Division:	Division II	Motor Type:	0526M
Agency Approvals:	CSA	Mounting Arrangement:	F1
	CSA EEV	Power Factor:	66
	UR	Product Family:	Chem Process S/P 32-8 IEEE 841
Auxillary Box:	No Auxillary Box	Pulley End Bearing Type:	Ball
Auxillary Box Lead Termination:	None	Pulley Face Code:	C-Face
Base Indicator:	Rigid	Pulley Shaft Indicator:	Standard
Bearing Grease Type:	Polyrex EM (-20F +300F)	Rodent Screen:	None
Blower:	None	Shaft Extension Location:	Pulley End
Constant Torque Speed Range:	2.0	Shaft Ground Indicator:	No Shaft Grounding

<b>Current @ Voltage:</b>	1.700 A @ 460.0 V	<b>Shaft Rotation:</b>	Reversible
<b>Design Code:</b>	B	<b>Shaft Slinger Indicator:</b>	Shaft Slinger
<b>Drip Cover:</b>	No Drip Cover	<b>Speed Code:</b>	Single Speed
<b>Duty Rating:</b>	CONT	<b>Motor Standards:</b>	NEMA
<b>Electrically Isolated Bearing:</b>	Not Electrically Isolated	<b>Starting Method:</b>	Direct on line
<b>Enclosure Modification:</b>	Severe Duty Features	<b>Thermal Device - Bearing:</b>	None
<b>Feedback Device:</b>	NO FEEDBACK	<b>Thermal Device - Winding:</b>	None
<b>Front Face Code:</b>	Standard	<b>Vibration Sensor Indicator:</b>	No Vibration Sensor
<b>Front Shaft Indicator:</b>	None	<b>Winding Thermal 1:</b>	None
<b>Heater Indicator:</b>	No Heater	<b>Winding Thermal 2:</b>	None
		<b>XP Temp Code:</b>	T4

<b>Nameplate NP3235E</b>										
<b>CAT.NO.</b>	CECP83582T-4									
<b>SPEC.</b>	05EE943X259G1									
<b>HP</b>	1	TE						<b>IP</b>	56	
<b>VOLTS</b>	460									
<b>AMPS</b>	1.7									
<b>R.P.M.</b>	1160									
<b>FRAME</b>	145TC						<b>HZ</b>	60	<b>PH</b>	3
<b>SER.F.</b>	1.15	<b>CODE</b>			K	<b>DES.</b>		B	<b>CLASS</b>	F
<b>RATING</b>	40C AMB-CONT									
<b>SN</b>										
<b>DE</b>	6205				<b>ODE</b>	6205				
<b>NEMA NOM. EFF.</b>	82.5				<b>P.F.</b>	66				
<b>GUAR. MIN. EFF.</b>	80				<b>CC</b>	010A				
<b>T. CODE</b>	T4				<b>TEMP=</b>	135				

Nameplate NP3186E			
SPEC.	05EE943X259G1		
ABMA DE BRG	25BC02X30X		
ABMA ODE BRG	25BC02X30X		
GREASE	POLYREX EM		
MOTOR WEIGHT	56	ROTOR BARS	27
MAX. R.P.M.	1800	MAX. KVAR	0.59
		STATOR BARS	36
INV.TYPE	PWM		
T=	135	TO	90
CHP	60	TO	60
CT	2.0	TO	60
VT	0-		
HTR-VOLTS	N/A	HTR-AMPS	N/A
HTR-WATTS			
		MAX. SPACE HEATER TEMP.	N/A

Parts List		
Part Number	Description	Quantity
SA274990	SA 05EE943X259G1	1.000 EA
RA261572	RA 05EE943X259G1	1.000 EA
35FN3002A05SP	EXFN, PLASTIC, 6.376 OD, .638 ID	1.000 EA
HW3201A05	3/8-16 EYEBOLT	1.000 EA
06CB1001A16G	CONDUIT BOX, MACH GRAY W/1.00 N.P.T.	1.000 EA
RM1016	LEAD SEPARATOR GASKET - 305/306 C.P.MOTO	1.000 EA
51XW2520A12	SCREW, HEX SER SLT HD, ZN, 1/4-20 X .75	2.000 EA
11XW1032G06	10-32 X .38, TAPTITE II, HEX WSHR SLTD U	1.000 EA
HW3001B01	BRASS CUP WASHER, FOR #10 SCREW	1.000 EA
10XN2520S06	1/4 20X3/8 HX HD CAP S.S.	2.000 EA
WD1000B16	T&B CX70TN OR L70P TERMINAL LUG	2.000 EA
51XN1032A20	10-32 X 1 1/4 HX WS SL SR	2.000 EA
05EP1100A02G	FREP TEFC 205,GRSR,RLF,DRAIN FITTING,INP	1.000 EA
HW4601B22	INPRO SEAL, 205 BRG, MINI66	1.000 EA
HW4500A01	1641B(ALEMITE)400 UNIV, GREASE FITT	1.000 EA
HA4051A00	PLASTIC CAP FOR GREASE FITTING	1.000 EA
HW4500A17	317400 ALEMITE GREASE RELIEF	1.000 EA
HA4010A01	T-DRAIN PLUG,416 S.S.,W/ 1/4-28 THD & .0	1.000 EA
HW5100A05	WVY WSHR F/205 & 304 BRGS	1.000 EA
35EP1329A32G	EP ENCL 205 BRG,GRSR,RLF,NPT DRAIN,INPRO	1.000 EA
HW4601B22	INPRO SEAL, 205 BRG, MINI66	1.000 EA
HW4500A01	1641B(ALEMITE)400 UNIV, GREASE FITT	1.000 EA
HA4051A00	PLASTIC CAP FOR GREASE FITTING	1.000 EA
HW4500A17	317400 ALEMITE GREASE RELIEF	1.000 EA

Parts List (continued)		
Part Number	Description	Quantity
HA4010A01	T-DRAIN PLUG,416 S.S.,W/ 1/4-28 THD & .0	1.000 EA
51XN1032A20	10-32 X 1 1/4 HX WS SL SR	2.000 EA
HA3100A28	THRUBOLT 10-32 X 8.187	4.000 EA
35FH1000A19G	35FH1000A19 W/GRAY FLUIDIZ	1.000 EA
10XN2520A16	1/4-20 X 1 HEX HEAD CAP SCR, ZINC PLATED	3.000 EA
HW1001A25	LOCKWASHER 1/4, ZINC PLT .493 OD, .255 I	3.000 EA
WD4100A03	DE-750 HEYCO PLUG 62MP0750 MICRO PLASTIC	1.000 EA
06CB1503A01G	LIPPED CONDUIT BOX LID, MACH GRAY EPOXY	1.000 EA
06GS1009	GASKET, KOBX LID, 1/8" THICK BLACK NEOPR	1.000 EA
10XN2520A12	1/4-20 X 3/4 HEX HEAD CAP	2.000 EA
HW1001A25	LOCKWASHER 1/4, ZINC PLT .493 OD, .255 I	2.000 EA
HW2501D13	KEY, 3/16 SQ X 1.375	1.000 EA
HA7000A01	KEY RETAINER 7/8" DIA SHAFT	1.000 EA
MJ5004A59	ADHESIVE LOCTITE #401 SURFACE INSENSITIV	0.010 EA
MJ5001A27	32220KN GRAY SEALER *MIN BUY 4 QTS=1GAL	0.001 QT
MJ1000A73	INPRO P-80 ASSEMBLY LUB./ 1 QT. CONTAINE	0.001 QT
85XU0407S04	4X1/4 U DRIVE PIN STAINLESS	4.000 EA
LB1115N	LABEL,LIFTING DEVICE (ON ROLLS)	1.000 EA
LB1115N	LABEL,LIFTING DEVICE (ON ROLLS)	1.000 EA
LT0019A00	MOTOR NO-LOAD PERFORMANCE DATA SHEET	1.000 EA
WD1000D21	TRM,T&B #B71M,RING,18-14,.25,NON-INSL	3.000 EA
MJ1000A02	GREASE, MOBIL POLYREX EM - 124047	0.050 LB
51XB1214A16	12-14X1.00 HXWSSLD SERTYB	1.000 EA
MG1025N19	WILKOFAS, 778.50, RELIANCE BLUE-GREEN	0.022 GA

LB1119N	WARNING LABEL	1.000 EA
LB1449	DIV-2/NEC WARNING LABEL	1.000 EA
LC0006	CONNECTION LABEL	1.000 EA
MN416A01	TAG-INSTAL-MAINT no wire (2100/bx) 4/22	1.000 EA
NP3235E	SS IEEE841 DIV-2 UL CSA-C US EEV PREM	1.000 EA
NP3186E	SS IEEE841 INV AUX DATA INFORMATION	1.000 EA
36PA1000	PKG GRP, PRINT PK1016A06	1.000 EA



**AC Induction Motor Performance Data**

Record # 47149

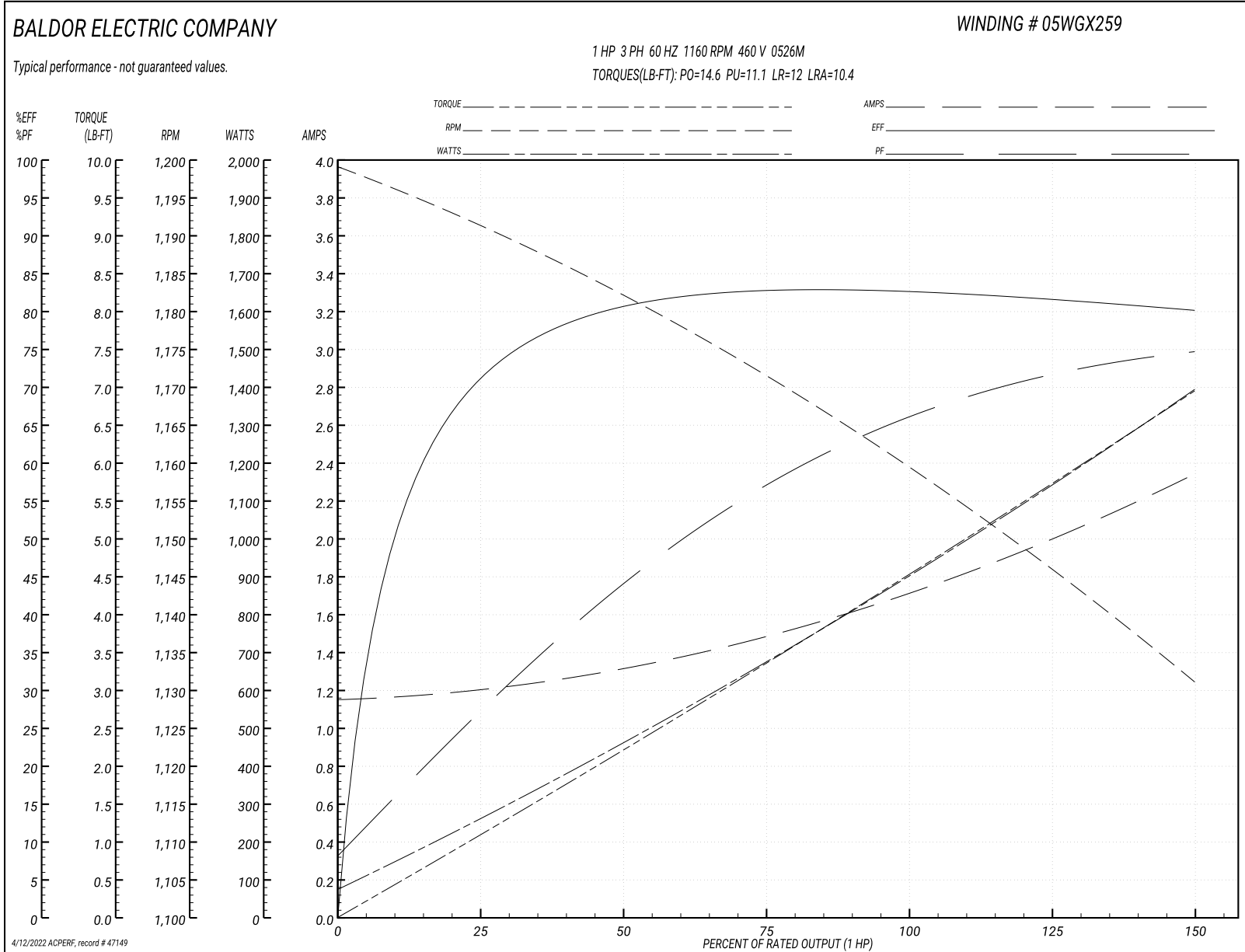
Typical performance - not guaranteed values

Winding: 05WGX259-R017		Type: 0526M	Enclosure: TEFC	
<b>Nameplate Data</b>			<b>460 V, 60 Hz: Single Voltage Motor</b>	
Rated Output (HP)	1	Full Load Torque	4.53 LB-FT	
Volts	460	Start Configuration	direct on line	
Full Load Amps	1.7	Breakdown Torque	14.6 LB-FT	
R.P.M.	1160	Pull-up Torque	11.1 LB-FT	
Hz	60 Phase	Locked-rotor Torque	12 LB-FT	
NEMA Design Code	B KVA Code	Starting Current	10.4 A	
Service Factor (S.F.)	1.15	No-load Current	1.16 A	
NEMA Nom. Eff.	82.5 Power Factor	Line-line Res. @ 25°C	17.6 Ω	
Rating - Duty	40C AMB-CONT	Temp. Rise @ Rated Load	35°C	
S.F. Amps		Temp. Rise @ S.F. Load	42°C	
		Locked-rotor Power Factor	44.5	
		Rotor inertia	0.155 LB-FT <sup>2</sup>	

**Load Characteristics 460 V, 60 Hz, 1 HP**

% of Rated Load	25	50	75	100	125	150	S.F.
Power Factor	27	45	57	66	72	75	70
Efficiency	70.2	80	82.6	83	81.8	79.9	82.3
Speed	1192	1182	1171	1160	1146	1131	1152
Line amperes	1.19	1.31	1.49	1.72	2	2.34	1.89

Performance Graph at 460V, 60Hz, 1.0HP Typical performance - Not guaranteed values



**AC Induction Motor Performance Data**

Record # 73776

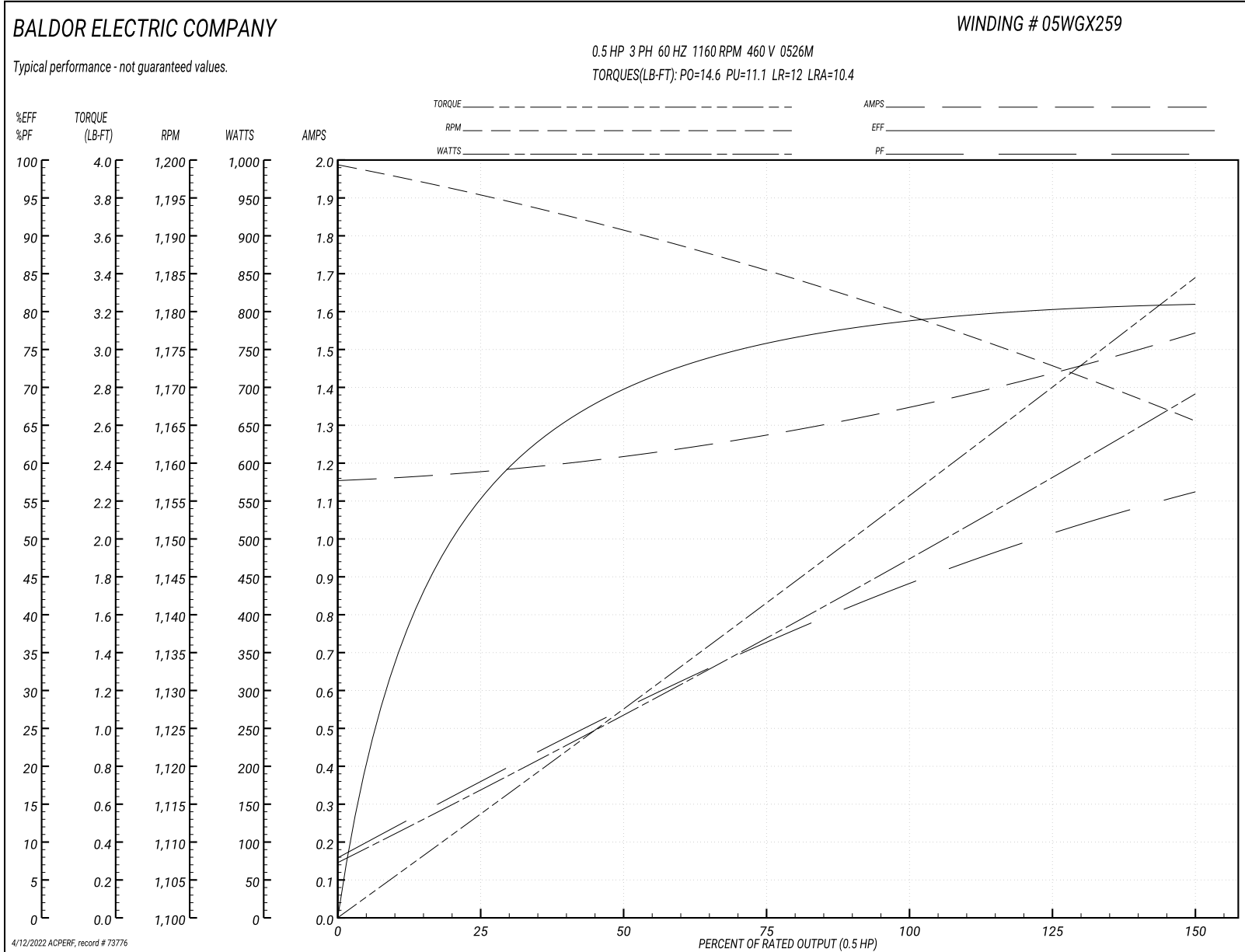
Typical performance - not guaranteed values

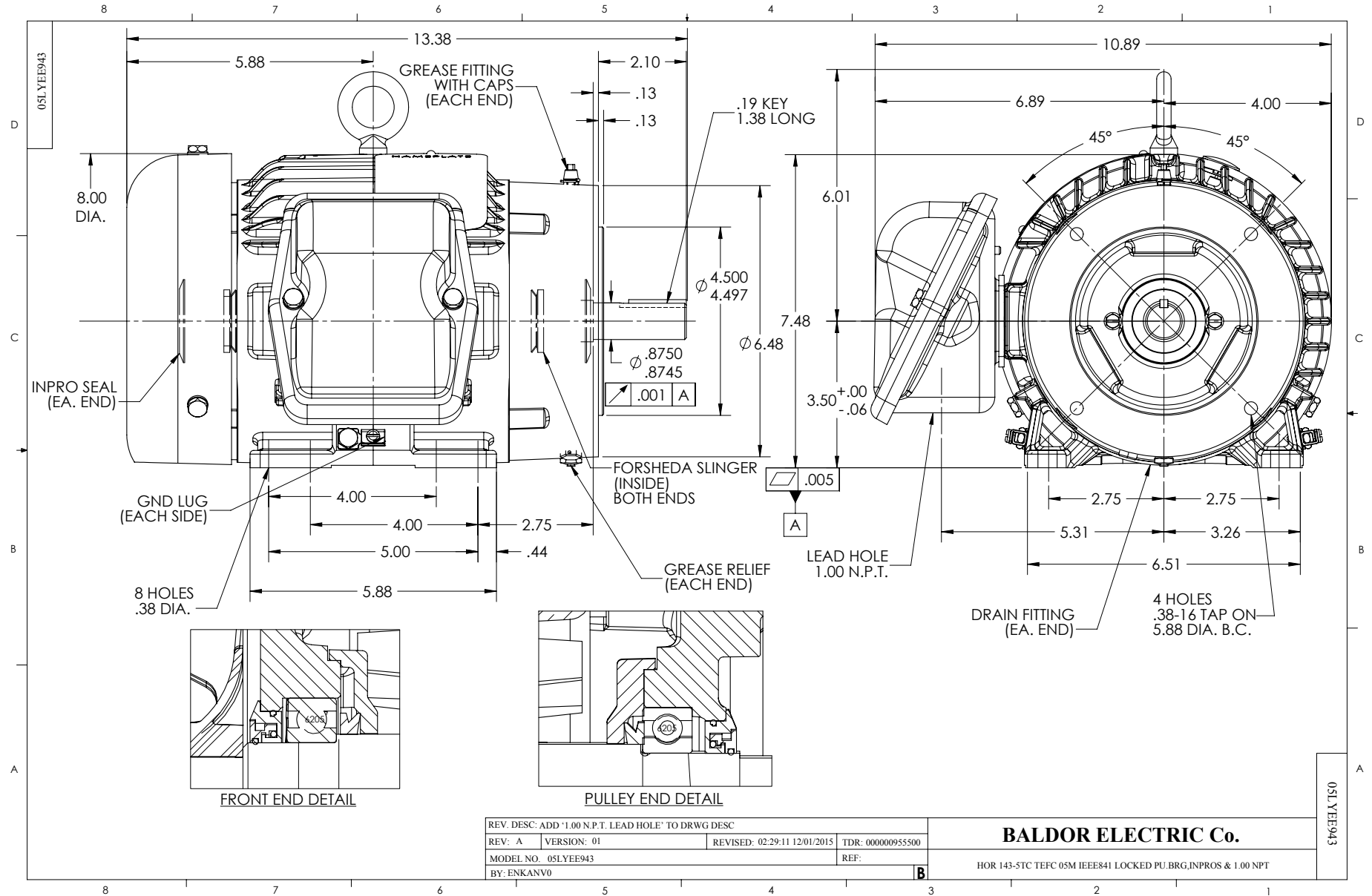
<b>Winding: 05WGX259-R017</b>		<b>Type: 0526M</b>		<b>Enclosure: TEFC</b>		
<b>Nameplate Data</b>			<b>460 V, 60 Hz: Single Voltage Motor</b>			
<b>Rated Output (HP)</b>	1	<b>Full Load Torque</b>	2.23 LB-FT			
<b>Volts</b>	460	<b>Start Configuration</b>	direct on line			
<b>Full Load Amps</b>	1.7	<b>Breakdown Torque</b>	14.6 LB-FT			
<b>R.P.M.</b>	1160	<b>Pull-up Torque</b>	11.1 LB-FT			
<b>Hz</b>	60 <b>Phase</b>	3	<b>Locked-rotor Torque</b>	12 LB-FT		
<b>NEMA Design Code</b>	<b>B KVA Code</b>	K	<b>Starting Current</b>	10.4 A		
<b>Service Factor (S.F.)</b>	1.15		<b>No-load Current</b>	1.16 A		
<b>NEMA Nom. Eff.</b>	82.5	<b>Power Factor</b>	66	<b>Line-line Res. @ 25°C</b>	17.6 Ω	
<b>Rating - Duty</b>	40C AMB-CONT		<b>Temp. Rise @ Rated Load</b>	22°C		
<b>S.F. Amps</b>			<b>Temp. Rise @ S.F. Load</b>	23°C		
			<b>Locked-rotor Power Factor</b>	44.5		
			<b>Rotor inertia</b>	0.155 LB-FT <sup>2</sup>		

**Load Characteristics 460 V, 60 Hz, 0.5 HP**

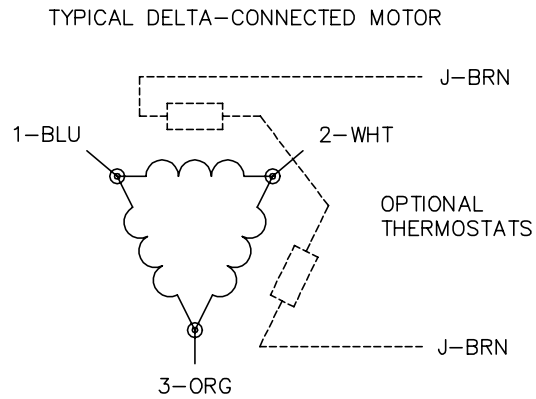
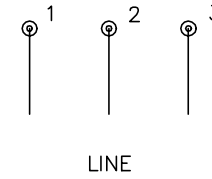
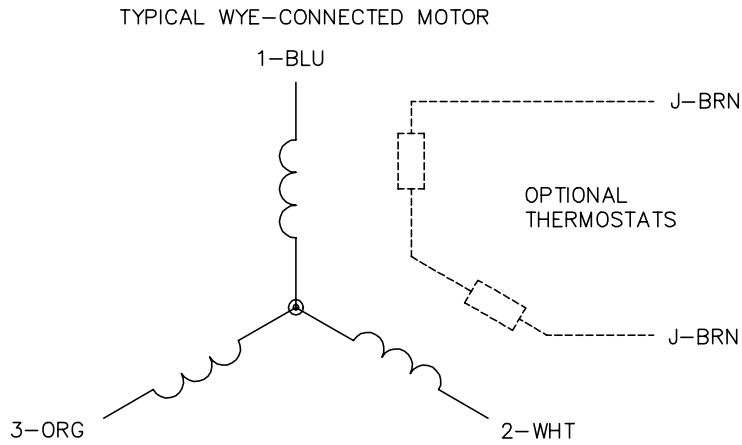
<b>% of Rated Load</b>	<b>25</b>	<b>50</b>	<b>75</b>	<b>100</b>	<b>125</b>	<b>150</b>	<b>S.F.</b>
<b>Power Factor</b>	18	28	36	44	51	56	48
<b>Efficiency</b>	54.8	69.1	75.7	79.2	80.2	80.9	79.8
<b>Speed</b>	1196	1191	1185	1180	1172	1166	1175
<b>Line amperes</b>	1.17	1.21	1.28	1.35	1.44	1.54	1.4

Performance Graph at 460V, 60Hz, 0.5HP Typical performance - Not guaranteed values





CD0006



NOTES:

1. THREE LEAD MOTOR MAY BE EITHER WYE CONNECTED OR DELTA CONNECTED.
2. INTERCHANGE ANY TWO LINE LEADS TO REVERSE ROTATION.
3. OPTIONAL THERMOSTATS ARE PROVIDED WHEN SPECIFIED.
4. ACTUAL NUMBER OF INTERNAL PARALLEL CIRCUITS MAY VARY.
5. LEAD COLORS ARE OPTIONAL. LEADS MUST BE NUMBERED AS SHOWN.

CD0006

REV. DESC: ADD CLASS CONN00000007		
REV. LTR: E	VERSION: 01	TDR: 000001099922
FILE: \AAA\00005\141	REVISED: 10:24:49 02/19/2019	BY: ENBRIRO
MTL: -	© □	

**BALDOR - RELIANCE®**

3PH, SV, 3 LEADS, WYE OR DELTA CONNECTED

SH 1 of 1