

**BALDOR® • RELIANCE** 

**Product Information Packet**

**CEDM3708T**

**5HP, 1165RPM, 3PH, 60HZ, 215TC, 3752M, TEFC, F1**

Part Detail							
Revision:	D	Status:	PRD/A	Change #:		Proprietary:	No
Type:	AC	Elec. Spec:	37WGQ067	CD Diagram:	CD0005	Mfg Plant:	
Mech. Spec:	37N854	Layout:	37LYN854	Poles:	06	Created Date:	09-21-2017
Base:	RG	Eff. Date:	06-24-2021	Leads:	9#14		Y

Specs			
Catalog Number:	CEDM3708T	Heater Indicator:	No Heater
Enclosure:	TEFC	Insulation Class:	F
Frame:	215TC	Inverter Code:	Inverter Ready
Frame Material:	Steel	KVA Code:	K
Output @ Frequency:	5.000 HP @ 60 HZ	Lifting Lugs:	Standard Lifting Lugs
Synchronous Speed @ Frequency:	1200 RPM @ 60 HZ	Locked Bearing Indicator:	Locked Bearing
Voltage @ Frequency:	460.0 V @ 60 HZ	Motor Lead Quantity/Wire Size:	9 @ 14 AWG
	230.0 V @ 60 HZ	Motor Lead Exit:	Ko Box
XP Class and Group:	None	Motor Lead Termination:	Flying Leads
XP Division:	Not Applicable	Motor Type:	3752M
Agency Approvals:	UR	Mounting Arrangement:	F1
	CSA EEV	Power Factor:	71
	CCSA US	Product Family:	Dirty Duty Plus
Auxillary Box:	No Auxillary Box	Pulley End Bearing Type:	Sealed Bearing
Auxillary Box Lead Termination:	None	Pulley Face Code:	C-Face
Base Indicator:	Rigid	Pulley Shaft Indicator:	Standard
Bearing Grease Type:	Polyrex EM (-20F +300F)	Rodent Screen:	None
Blower:	None	RoHS Status:	ROHS COMPLIANT

<b>Constant Torque Speed Range:</b>	6	<b>Shaft Extension Location:</b>	Pulley End
<b>Current @ Voltage:</b>	14.400 A @ 230.0 V	<b>Shaft Ground Indicator:</b>	No Shaft Grounding
	15.600 A @ 208.0 V	<b>Shaft Rotation:</b>	Reversible
	7.200 A @ 460.0 V	<b>Shaft Slinger Indicator:</b>	No Slinger
<b>Design Code:</b>	A	<b>Speed Code:</b>	Single Speed
<b>Drip Cover:</b>	No Drip Cover	<b>Motor Standards:</b>	NEMA
<b>Duty Rating:</b>	CONT	<b>Starting Method:</b>	Direct on line
<b>Electrically Isolated Bearing:</b>	Not Electrically Isolated	<b>Thermal Device - Bearing:</b>	None
<b>Feedback Device:</b>	NO FEEDBACK	<b>Thermal Device - Winding:</b>	None
<b>Front Face Code:</b>	Standard	<b>Vibration Sensor Indicator:</b>	No Vibration Sensor
<b>Front Shaft Indicator:</b>	None	<b>Winding Thermal 1:</b>	None
		<b>Winding Thermal 2:</b>	None

Nameplate NP3504E							
CAT NO	CEDM3708T						
SPEC.	37N854Q067G1	ENCL	TEFC				
FRAME	215TC	HP	5				
VOLTS	230/460						
FLA	14.4/7.2	I.P.	56				
RPM	1165	RPM MAX					
HZ	60	PH	3	CLASS	F		
SER.F.	1.15	DES	A	CC	010A		
NEMA-NOM-EFF	89.5						
RATING	40C AMB-CONT						
DE BRG	6307	ODE BRG	6206				
GREASE	POLYREX EM						
C HP FR	60	C HP TO	90				
CT HZ FROM	6	CT HZ TO	60	VT HZ FROM	6	VT HZ TO	60
SER.NO							

Parts List		
Part Number	Description	Quantity
SA345230	SA 37N854Q067G1	1.000 EA
RA333704	RA 37N854Q067G1	1.000 EA
37FN3002C01	EXFN, PLASTIC, 6.00 OD, 1.155 ID	1.000 EA
HW3200A01	3/8-16X3/4 I-BLT WELDED F/S	1.000 EA
37CB1000A17E	37 KOBX .75 NPT @ 6:00 (E-COAT)	1.000 EA
37GS1016B01	SANTOPRENE KOBX GASKET W/LIP (BLACK)	1.000 EA
51XW2520A12	.25-20 X .75, TAPTITE II, HEX WSHR SLTD	2.000 EA
11XW1032G06	10-32 X .38, TAPTITE II, HEX WSHR SLTD U	1.000 EA
HW3001B01	BRASS CUP WASHER, FOR #10 SCREW	1.000 EA
37EP1100E37EP5	FRONT TEFC 206 BRG W/CLIPPER	1.000 EA
HA4054	SHORT T-DRAIN FITTING, .125" N.P.T.	1.000 EA
HW4606A03	JM CLIPPER/SEAL (LWE-1156-1875-AL44)	1.000 EA
HW4500S33	1/8 NPT STAINLESS #304 SS PLUG	3.000 EA
HW5100A06	W2420-025 WVY WSHR (WB)	1.000 EA
37EP1300B75E	PULLEY 213-5TC ENCL 307 BRG (E-COAT)	1.000 EA
HA4054	SHORT T-DRAIN FITTING, .125" N.P.T.	1.000 EA
HW4606A04	JM CLIPPER/SEAL (LWE-1376-2125-AL45)	1.000 EA
HW4500S33	1/8 NPT STAINLESS #304 SS PLUG	3.000 EA
10XN2520S28	1/4-20X 1 3/4 HEX HD SS X	4.000 EA
XY3118S12	5/16-18 HEX NUT, STAINLESS STEEL	4.000 EA
51XB1214A20	12-14X1.25 HXWSSLD SERTYB	1.000 EA
07FH4011EP5	FH CAST - POWDER COAT PRIMER 5 MILS	1.000 EA
10XN1032S08	10-32X1/2 HEX HEAD S STL	3.000 EA
36CB4518E	36 LIPPED CB LID E-COATING	1.000 EA

Parts List (continued)		
Part Number	Description	Quantity
37GS1003	1/16 NEOPRENE GASKET-BLACK, CONDUIT BOX	1.000 EA
59XN0832S07	8/32 X 7/16 HX WS HD SER X	4.000 EA
HW2502F21	#303 SS,SQ KEY 5/16 X 2.375	1.000 EA
HA7000A02	KEY RETAINER RING, 1 1/8 DIA, 1 3/8 DIA	1.000 EA
MJ5001A02	732 CL SEALANT 3 OZ DIXIE BEARING 289100	0.001 EA
85XU0407S04	4X1/4 U DRIVE PIN STAINLESS	2.000 EA
LB1115N	LABEL,LIFTING DEVICE (ON ROLLS)	1.000 EA
LB1164	LABEL,WARNING AND DRAIN	1.000 EA
MJ5001A23	P.D. GEORGE B-276 AIR DRY VARNISH	0.001 GA
LB1000	LABEL, DIRTY DUTY	1.000 EA
WD1000D21	TRM,T&B #B71M,RING,18-14,.25,NON-INSL	9.000 EA
MJ1000A02	GREASE, MOBIL POLYREX EM - 124047	0.050 LB
MG1500Y02	WILKOPON PRIMER YELLOW	0.010 GA
MG1025L01	WILKOFASD FD, 786.04, BLACK	0.010 GA
HA3104S25	THRUBOLT-5/16-18X14.75 SS	4.000 EA
LC0005	CONN.DIA.,TY M,9-LD,DUAL VOLT,REVERSING	1.000 EA
NP3504E	SS DIRTY DUTY PLUS INV UL CSA-C US EEV	1.000 EA
37PA1074	PALLET PACK GRP, PRINT BOX PK1026A06	1.000 EA
MN416A01	TAG-INSTAL-MAINT no wire (2100/bx) 4/22	1.000 EA

**AC Induction Motor Performance Data**

Record # 67641

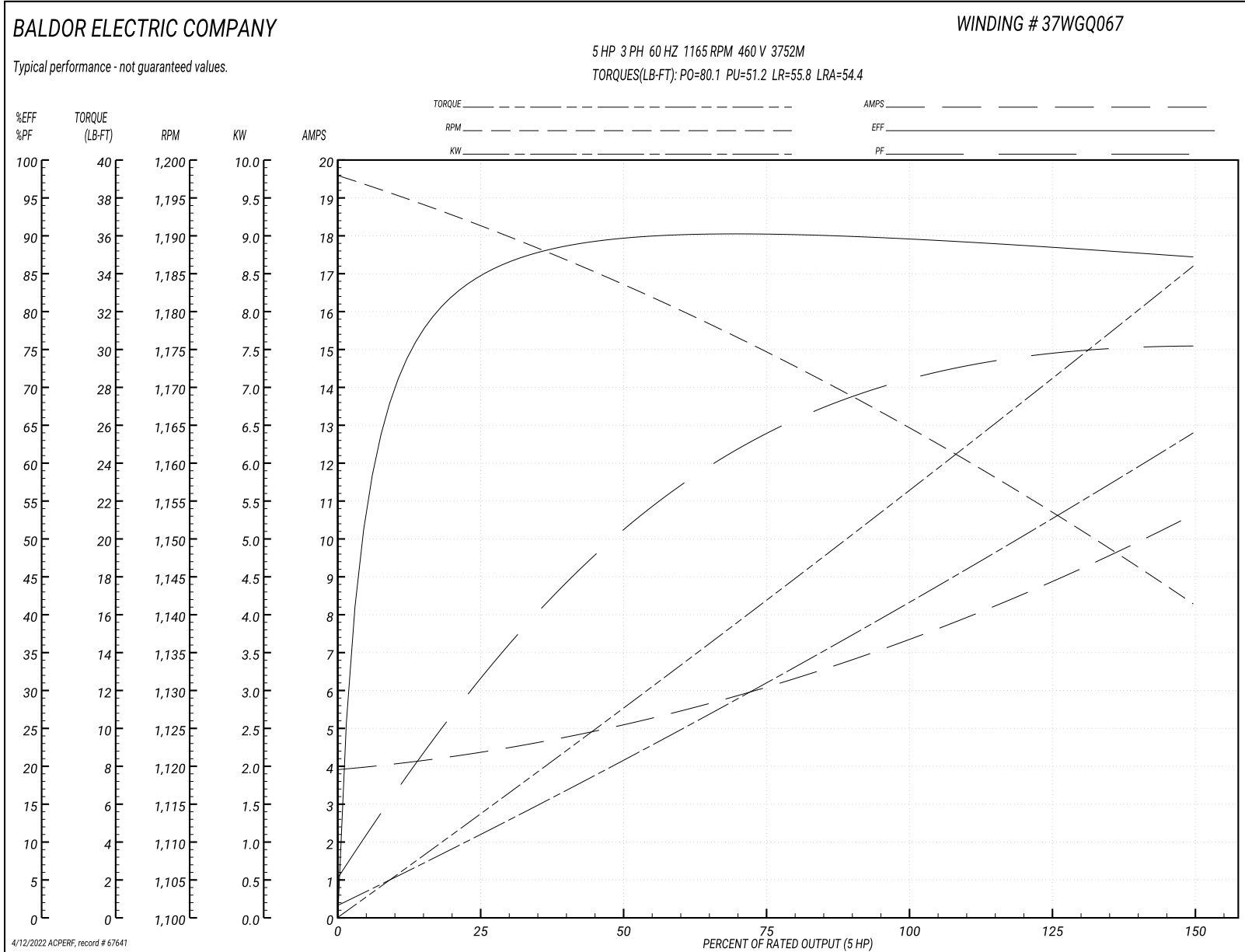
Typical performance - not guaranteed values

<b>Winding: 37WGQ067-R001</b>		<b>Type: 3752M</b>		<b>Enclosure: TEFC</b>			
<b>Nameplate Data</b>			<b>460 V, 60 Hz: High Voltage Connection</b>				
<b>Rated Output (HP)</b>	5	<b>Full Load Torque</b>	22.48 LB-FT				
<b>Volts</b>	230/460	<b>Start Configuration</b>	direct on line				
<b>Full Load Amps</b>	14.4/7.2	<b>Breakdown Torque</b>	80.1 LB-FT				
<b>R.P.M.</b>	1165	<b>Pull-up Torque</b>	51.2 LB-FT				
<b>Hz</b>	60 <b>Phase</b>	3	<b>Locked-rotor Torque</b>	55.8 LB-FT			
<b>NEMA Design Code</b>	A	<b>KVA Code</b>	K	<b>Starting Current</b>	54.4 A		
<b>Service Factor (S.F.)</b>	1.15	<b>No-load Current</b>	3.98 A				
<b>NEMA Nom. Eff.</b>	89.5	<b>Power Factor</b>	71	<b>Line-line Res. @ 25°C</b>	3.6757 Ω		
<b>Rating - Duty</b>	40C AMB-CONT		<b>Temp. Rise @ Rated Load</b>	59°C			
<b>S.F. Amps</b>			<b>Temp. Rise @ S.F. Load</b>	73°C			
			<b>Locked-rotor Power Factor</b>	21.9			

**Load Characteristics 460 V, 60 Hz, 5 HP**

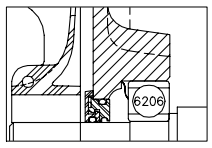
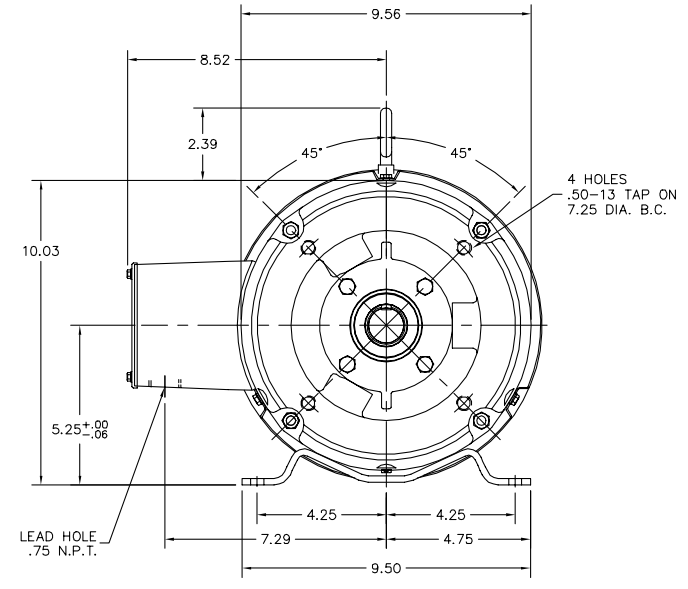
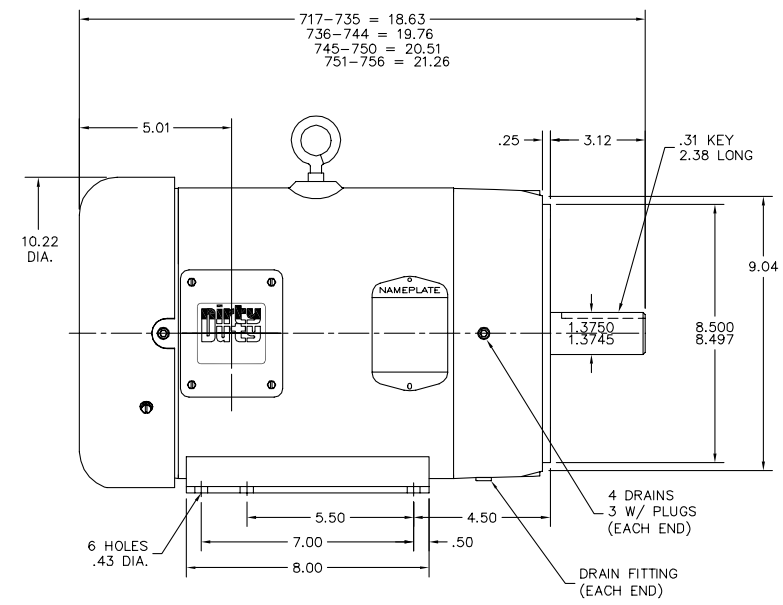
<b>% of Rated Load</b>	<b>25</b>	<b>50</b>	<b>75</b>	<b>100</b>	<b>125</b>	<b>150</b>	<b>S.F.</b>
<b>Power Factor</b>	33	52	64	70	74	76	72
<b>Efficiency</b>	84.4	89.3	90.2	89.7	88.6	87.1	89
<b>Speed</b>	1191.6	1183.1	1174.9	1164.8	1154	1141.3	1158
<b>Line amperes</b>	4.28	5.07	6.08	7.39	8.87	10.6	8.28

Performance Graph at 460V, 60Hz, 5.0HP Typical performance - Not guaranteed values

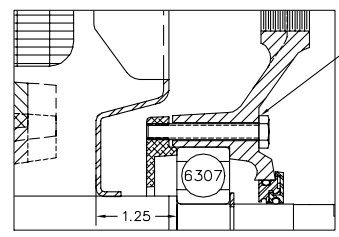




37LYN854



FRONT END DETAIL



PULLEY END DETAIL

CUSTOMER IS RESPONSIBLE FOR DETERMINING THAT BALDOR'S PRODUCT WILL PERFORM SUITABLY IN THE INTENDED APPLICATION.

REV. DESC: NEW	VERSION: 00	TDR: 000000968673
REV. LTR: -	REVISED: 06:38:31 04/14/2016	BY: ENCHALO
FILE: \AAA\00226\145		
MTL: -		

**BALDOR**

STD HORZ 213-5TC TEFC 37M DDP

SH 1 of 1

37LYN854

CD0005

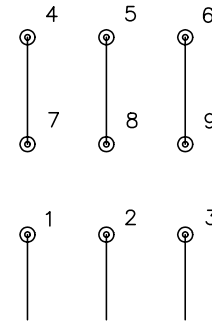


LOW VOLTAGE  
(2Y)



LINE

HIGH VOLTAGE  
(1Y)



LINE

NOTES:

1. INTERCHANGE ANY TWO LINE LEADS TO REVERSE ROTATION.
2. OPTIONAL THERMOSTATS ARE PROVIDED WHEN SPECIFIED.
3. ACTUAL NUMBER OF INTERNAL PARALLEL CIRCUITS MAY BE A MULTIPLE OF THOSE SHOWN ABOVE.
4. LEAD COLORS ARE OPTIONAL. LEADS MUST ALWAYS BE NUMBERED AS SHOWN.

REV. DESC: REVISE TO SHOW OPTIONAL COLORS			
REV. LTR: E	BY: JLP	REVISED: 01/19/99 10:15	TDR: 0171435
90000		FILE: AAA00005140	MDL: -
		MTL: -	

**BALDOR ELECTRIC Co.**

3PH, DV, 9 LEADS

CD0005