

BALDOR® • RELIANCE 

Product Information Packet

CEM2276T-G

7.5HP, 1180RPM, 3PH, 60HZ, 254TC, TEFC, F1

| Part Detail | | | | | | | |
|-------------|----|-------------|------------|-------------|--------|---------------|------------|
| Revision: | G | Status: | PRD/A | Change #: | | Proprietary: | No |
| Type: | AC | Elec. Spec: | 09WGT118 | CD Diagram: | CD0005 | Mfg Plant: | |
| Mech. Spec: | | Layout: | 09LYL284 | Poles: | 06 | Created Date: | 03-06-2020 |
| Base: | | Eff. Date: | 02-28-2022 | Leads: | 9#12 | | |

| Specs | | | |
|---------------------------------|-------------------------|---------------------------|-----------------------|
| Catalog Number: | CEM2276T-G | Feedback Device: | NO FEEDBACK |
| Enclosure: | TEFC | Heater Indicator: | No Heater |
| Frame: | 254TC | Insulation Class: | H |
| Frame Material: | Iron | Inverter Code: | Inverter Ready |
| Output @ Frequency: | 7.500 HP @ 60 HZ | IP Rating: | NONE |
| Synchronous Speed @ Frequency: | 1200 RPM @ 60 HZ | KVA Code: | J |
| Voltage @ Frequency: | 460.0 V @ 60 HZ | Lifting Lugs: | Standard Lifting Lugs |
| | 230.0 V @ 60 HZ | Locked Bearing Indicator: | Locked Bearing |
| XP Class and Group: | None | Motor Lead Termination: | Flying Leads |
| XP Division: | Not Applicable | Motor Type: | 0954M |
| Agency Approvals: | CSA | Mounting Arrangement: | F1 |
| | CSA EEV | Power Factor: | 70 |
| | UR | Product Family: | General Purpose |
| Auxillary Box: | No Auxillary Box | Pulley Face Code: | C-Face |
| Auxillary Box Lead Termination: | None | Rodent Screen: | None |
| Base Indicator: | Rigid | Shaft Ground Indicator: | Shaft Grounding |
| Bearing Grease Type: | Polyrex EM (-20F +300F) | Shaft Rotation: | Reversible |
| Blower: | None | Speed Code: | Single Speed |

| | | | |
|---------------------------------------|---------------------------|------------------------------------|---------------------|
| Current @ Voltage: | 11.000 A @ 460.0 V | Motor Standards: | NEMA |
| | 22.000 A @ 230.0 V | Starting Method: | Direct on line |
| Design Code: | A | Thermal Device - Bearing: | None |
| Drip Cover: | No Drip Cover | Thermal Device - Winding: | None |
| Duty Rating: | CONT | Vibration Sensor Indicator: | No Vibration Sensor |
| Electrically Isolated Bearing: | Not Electrically Isolated | Winding Thermal 1: | None |
| | | Winding Thermal 2: | None |

| | |
|-----------------------------------|-----------------------------|
| Nameplate NP3441LUA | |
| CAT.NO. | CEM2276T-G |
| SPEC | 09-0000833 |
| HP | 7.5 |
| VOLTS | 230/460 |
| AMPS | 22/11 |
| RPM | 1180 |
| FRAME | 254TC |
| HZ | 60 |
| PH | 3 |
| SF | 1.15 |
| CODE | J |
| DES | A |
| CLASS | H |
| NEMA NOM. EFF | 91 |
| PF | 70 |
| RATING | 40C AMB-CONT |
| CC | 010A |
| ENCL | TEFC |
| SER | |
| DE | 6309 |
| ODE | 6208 |
| VPWM INVERTER READY | |
| CT6-60H(10:1)VT3-60H(20:1) | |
| | 50HZ 7.5HP 190/380V 25/12.5 |
| | SF1.0 |

| Parts List | | |
|---------------|--|----------|
| Part Number | Description | Quantity |
| SA379757 | SA 09-0000833 | 1.000 EA |
| RA369779 | RA 09-0000833 | 1.000 EA |
| LB1115N | LABEL,LIFTING DEVICE (ON ROLLS) | 1.000 EA |
| LC0005E01 | SPL CONN.DIA./WARN.LABEL(LC0005/LB1119) | 1.000 EA |
| NP3441LUA | ALUM SUPER-E VPWM INV READY UL CSA-EEV C | 1.000 EA |
| 85XU0407S04 | 4X1/4 U DRIVE PIN STAINLESS | 2.000 EA |
| MN416A01 | TAG-INSTAL-MAINT no wire (2100/bx) 4/22 | 1.000 EA |
| LD7020D09 | LEAD SET, 12AWG, 9 LEAD, 20" LONG LEADS | 1.000 EA |
| HW3201A01 | 1/2-13 EYEBOLT | 1.000 EA |
| HW1002A63 | WASHER, 5/8 HI-COLLAR SPRLCKWASHER | 1.000 EA |
| 09EP1100A208 | ENDPLATE, MACH | 1.000 EA |
| HA3400A33 | STUD- 3/8-16 X 4.82 HEX WELKER | 4.000 EA |
| 09FH4000SP | 309 FH - BLACK PRIMER | 1.000 EA |
| HW1001A38 | LOCKWASHER 3/8, ZINC PLT .688 OD, .382 I | 4.000 EA |
| XY3816A12 | 3/8-16 FINISHED NUT | 4.000 EA |
| 09FN3001D01SP | EXTERNAL FAN, PLASTIC (COMES W/SCREW FRO | 1.000 EA |
| HW2500A25 | WOODRUFF KEY USA #1008 #BLOW CARBON STEE | 1.000 EA |
| MJ1000A02 | GREASE, MOBIL POLYREX EM - 124047 | 0.080 LB |
| LD7020D09 | LEAD SET, 12AWG, 9 LEAD, 20" LONG LEADS | 1.000 EA |
| HW1001A38 | LOCKWASHER 3/8, ZINC PLT .688 OD, .382 I | 4.000 EA |
| HW5100A08 | W3118-035 WVY WSHR (WB) | 1.000 EA |
| HA4051A00 | PLASTIC CAP FOR GREASE FITTING | 1.000 EA |
| HW4500A05 | 1669B ALEM/UNIV860 GR FTG X | 1.000 EA |
| HW4500A17 | 317400 ALEMITE GREASE RELIEF | 1.000 EA |

| Parts List (continued) | | |
|------------------------|--|----------|
| Part Number | Description | Quantity |
| HA4066A01 | PUSH IN T-DRAIN FITTING (BLACK) | 1.000 EA |
| 09EP1300A155 | PUEP MACH W/309 BRG & "O" DRAIN, SLINGER | 1.000 EA |
| 10XN3816K28 | 3/8-16 X 1.75 HEX HD CAP SCREW, GRADE 5 | 4.000 EA |
| HW1001A38 | LOCKWASHER 3/8, ZINC PLT .688 OD, .382 I | 4.000 EA |
| HW4600B44 | V-RING SLINGER 1.500 X 1.810 X .28 VITON | 1.000 EA |
| 10XN2520K36 | 1/4-20 X 2.25" HX HD SCRWGRADE 5, ZINC P | 4.000 EA |
| HW1001A25 | LOCKWASHER 1/4, ZINC PLT .493 OD, .255 I | 4.000 EA |
| HA4051A00 | PLASTIC CAP FOR GREASE FITTING | 1.000 EA |
| HW4500A03 | GREASE FITTING, .125 NPT 1610(ALEMITE) 8 | 1.000 EA |
| HW4500A17 | 317400 ALEMITE GREASE RELIEF | 1.000 EA |
| HA4066A01 | PUSH IN T-DRAIN FITTING (BLACK) | 1.000 EA |
| 09CB3003 | CB W/1.75" DIA LD HL - 37, 39, 307 & 309 | 1.000 EA |
| 09GS1000SP | GASKET-CONDUIT BOX, 1/16 THICK LEXIDE | 1.000 EA |
| 51XW2520A12 | .25-20 X .75, TAPTITE II, HEX WSHR SLTD | 4.000 EA |
| 51XW2520A12 | .25-20 X .75, TAPTITE II, HEX WSHR SLTD | 2.000 EA |
| WD1000B16 | T&B CX70TN OR L70P TERMINAL LUG | 1.000 EA |
| 59XW2520G07 | .25-20X.44,HEX SER WSHR,TAPTITE 2,GREEN | 1.000 EA |
| 09CB3501SP | CONDUIT BOX LID FOR 09CB3001 & 09CB3002 | 1.000 EA |
| 09GS1013SP | GS FOR 09CB3501, 12CB1500 & 12CB1503 LID | 1.000 EA |
| MG1000Y03 | MUNSELL 2.53Y 6.70/ 4.60, GLOSS 20, | 0.070 GA |
| 09PA1000 | PACKAGING GROUP COMBINED PRINT | 1.000 EA |
| HW2501G25 | KEY, 3/8 SQ X 2.875 | 1.000 EA |
| FE-0000013 | ZRTG FE ASSEMBLY | 1.000 EA |

AC Induction Motor Performance Data

Record # 47558

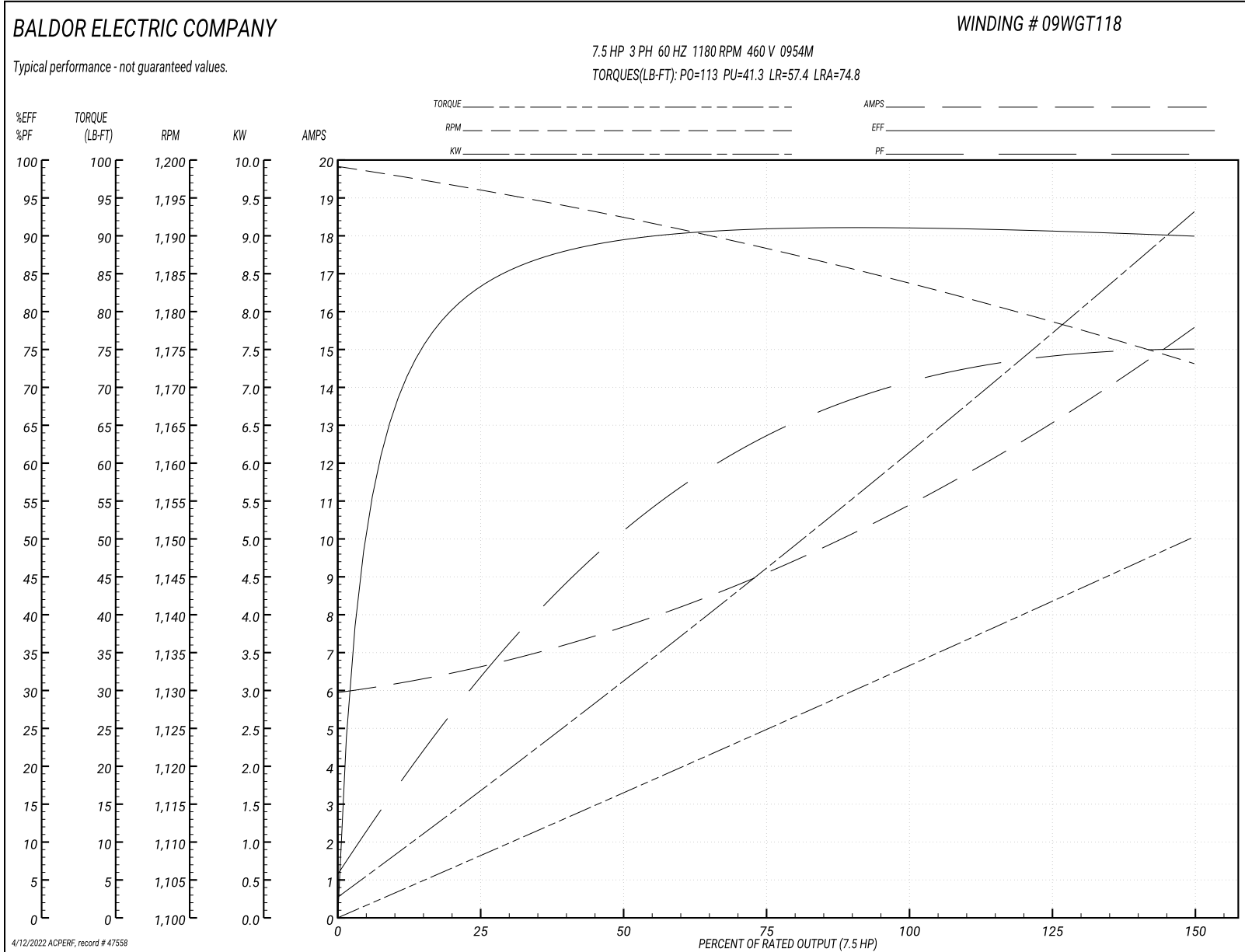
Typical performance - not guaranteed values

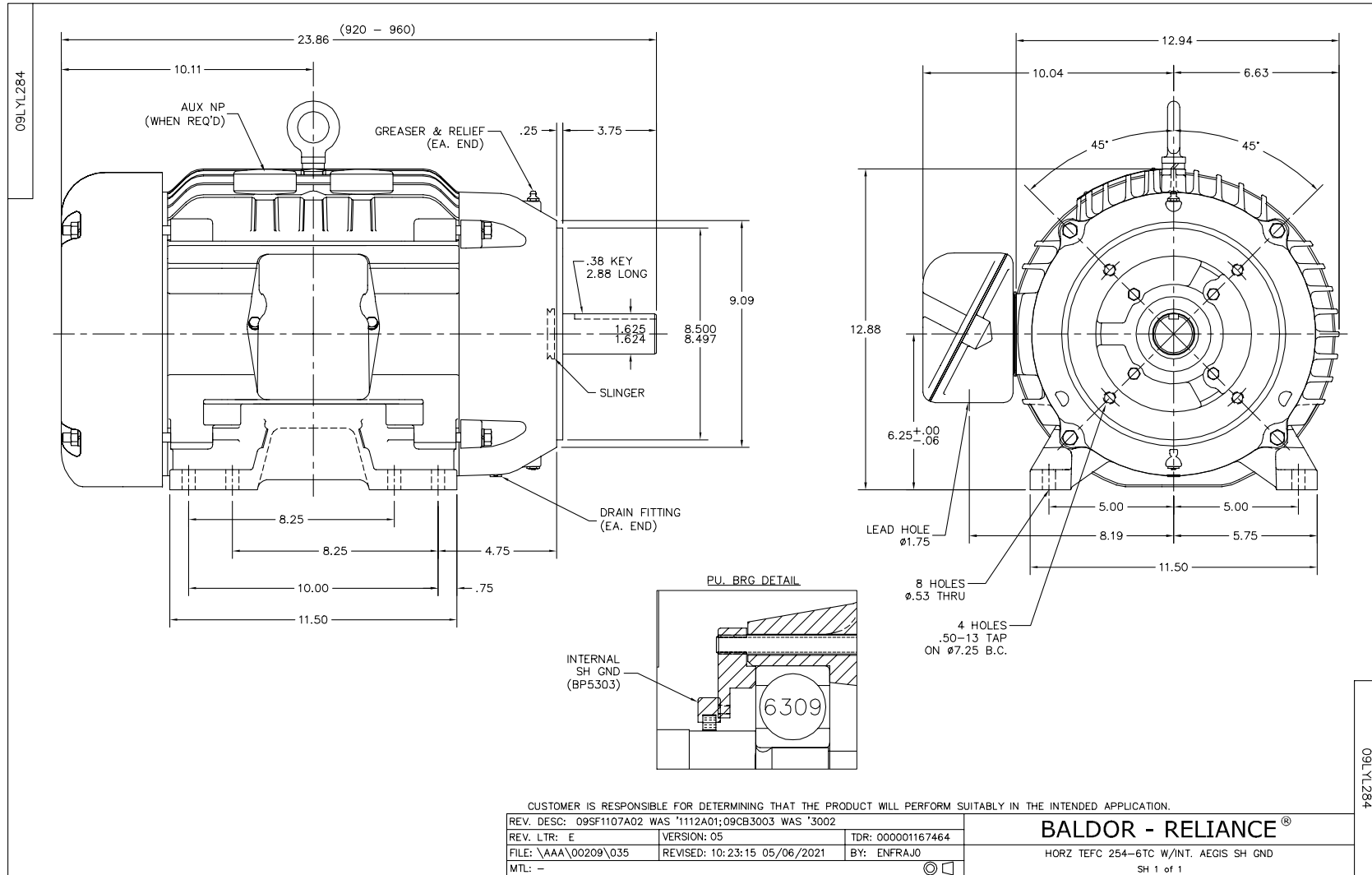
| Winding: 09WGT118-R002 | | Type: 0954M | Enclosure: TEFC | | |
|------------------------|--------------|--------------|--|-----------------------|-----------|
| Nameplate Data | | | 460 V, 60 Hz: High Voltage Connection | | |
| Rated Output (HP) | 7.5 | | Full Load Torque | 33.2 LB-FT | |
| Volts | 230/460 | | Start Configuration | direct on line | |
| Full Load Amps | 22/11 | | Breakdown Torque | 113 LB-FT | |
| R.P.M. | 1180 | | Pull-up Torque | 41.3 LB-FT | |
| Hz | 60 Phase | 3 | Locked-rotor Torque | 57.4 LB-FT | |
| NEMA Design Code | A | KVA Code | J | Starting Current | 74.8 A |
| Service Factor (S.F.) | 1.15 | | No-load Current | 6.06 A | |
| NEMA Nom. Eff. | 91 | Power Factor | 70 | Line-line Res. @ 25°C | 0.87037 Ω |
| Rating - Duty | 40C AMB-CONT | | Temp. Rise @ Rated Load | 36°C | |
| S.F. Amps | | | Temp. Rise @ S.F. Load | 42°C | |

Load Characteristics 460 V, 60 Hz, 7.5 HP

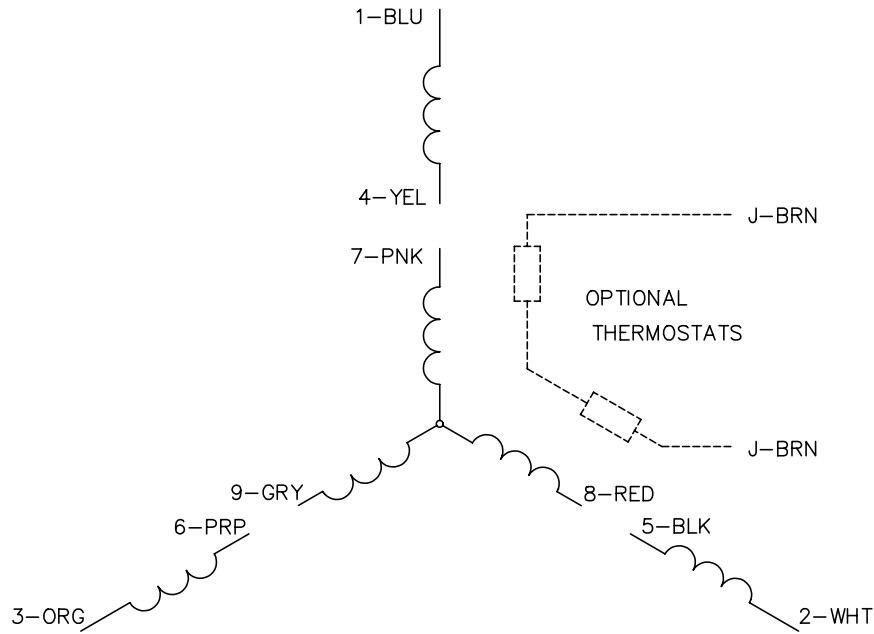
| % of Rated Load | 25 | 50 | 75 | 100 | 125 | 150 | S.F. |
|-----------------|--------|--------|--------|--------|--------|--------|------|
| Power Factor | 32 | 52 | 63 | 70 | 74 | 75 | 72 |
| Efficiency | 83.2 | 89.4 | 90.9 | 91.1 | 90.7 | 89.9 | 90.9 |
| Speed | 1196.5 | 1192.4 | 1188.3 | 1183.7 | 1178.7 | 1173.2 | 1181 |
| Line amperes | 6.49 | 7.59 | 9.09 | 11 | 13.1 | 15.5 | 12.3 |

Performance Graph at 460V, 60Hz, 7.5HP Typical performance - Not guaranteed values

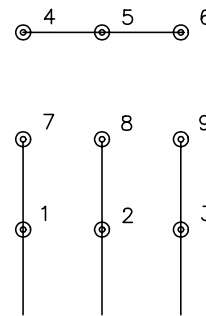




CD0005

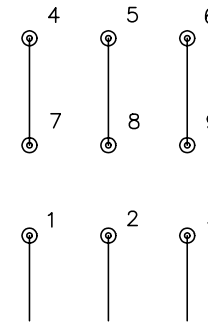


LOW VOLTAGE
(2Y)



LINE

HIGH VOLTAGE
(1Y)



LINE

NOTES:

1. INTERCHANGE ANY TWO LINE LEADS TO REVERSE ROTATION.
2. OPTIONAL THERMOSTATS ARE PROVIDED WHEN SPECIFIED.
3. ACTUAL NUMBER OF INTERNAL PARALLEL CIRCUITS MAY BE A MULTIPLE OF THOSE SHOWN ABOVE.
4. LEAD COLORS ARE OPTIONAL. LEADS MUST ALWAYS BE NUMBERED AS SHOWN.

| | | | |
|---|---------|-------------------------|--------------|
| REV. DESC: REVISE TO SHOW OPTIONAL COLORS | | | |
| REV. LTR: E | BY: JLP | REVISED: 01/19/99 10:15 | TDR: 0171435 |
| 9000D | | FILE: AAA00005140 | MDL: - |
| | | MTL: - | |

BALDOR ELECTRIC Co.

3PH, DV, 9 LEADS

CD0005

Marketing maintained PDF of MN416:

<http://www.baldor.com/support/Literature/Load.ashx/MN416?ManNumber=MN416>