

**BALDOR® • RELIANCE** 

**Product Information Packet**

**CEM2332T-G**

**10HP, 1180RPM, 3PH, 60HZ, 256TC, TEFC, F1**

| Part Detail |    |             |            |             |        |               |            |
|-------------|----|-------------|------------|-------------|--------|---------------|------------|
| Revision:   | G  | Status:     | PRD/A      | Change #:   |        | Proprietary:  | No         |
| Type:       | AC | Elec. Spec: | 09WGT193   | CD Diagram: | CD0005 | Mfg Plant:    |            |
| Mech. Spec: |    | Layout:     | 09LYL284   | Poles:      | 06     | Created Date: | 03-06-2020 |
| Base:       |    | Eff. Date:  | 03-02-2022 | Leads:      | 9#12   |               |            |

| Specs                           |                         |                           |                       |
|---------------------------------|-------------------------|---------------------------|-----------------------|
| Catalog Number:                 | CEM2332T-G              | Feedback Device:          | NO FEEDBACK           |
| Enclosure:                      | TEFC                    | Heater Indicator:         | No Heater             |
| Frame:                          | 256TC                   | Insulation Class:         | H                     |
| Frame Material:                 | Iron                    | Inverter Code:            | Inverter Ready        |
| Output @ Frequency:             | 10.000 HP @ 60 HZ       | IP Rating:                | NONE                  |
| Synchronous Speed @ Frequency:  | 1200 RPM @ 60 HZ        | KVA Code:                 | H                     |
| Voltage @ Frequency:            | 460.0 V @ 60 HZ         | Lifting Lugs:             | Standard Lifting Lugs |
|                                 | 230.0 V @ 60 HZ         | Locked Bearing Indicator: | Locked Bearing        |
| XP Class and Group:             | None                    | Motor Lead Termination:   | Flying Leads          |
| XP Division:                    | Not Applicable          | Motor Type:               | 0960M                 |
| Agency Approvals:               | CSA                     | Mounting Arrangement:     | F1                    |
|                                 | CSA EEV                 | Power Factor:             | 72                    |
|                                 | UR                      | Product Family:           | General Purpose       |
| Auxillary Box:                  | No Auxillary Box        | Pulley Face Code:         | C-Face                |
| Auxillary Box Lead Termination: | None                    | Rodent Screen:            | None                  |
| Base Indicator:                 | Rigid                   | Shaft Ground Indicator:   | Shaft Grounding       |
| Bearing Grease Type:            | Polyrex EM (-20F +300F) | Shaft Rotation:           | Reversible            |
| Blower:                         | None                    | Speed Code:               | Single Speed          |

|                                       |                           |                                    |                     |
|---------------------------------------|---------------------------|------------------------------------|---------------------|
| <b>Current @ Voltage:</b>             | 14.100 A @ 460.0 V        | <b>Motor Standards:</b>            | NEMA                |
|                                       | 28.200 A @ 230.0 V        | <b>Starting Method:</b>            | Direct on line      |
| <b>Design Code:</b>                   | B                         | <b>Thermal Device - Bearing:</b>   | None                |
| <b>Drip Cover:</b>                    | No Drip Cover             | <b>Thermal Device - Winding:</b>   | None                |
| <b>Duty Rating:</b>                   | CONT                      | <b>Vibration Sensor Indicator:</b> | No Vibration Sensor |
| <b>Electrically Isolated Bearing:</b> | Not Electrically Isolated | <b>Winding Thermal 1:</b>          | None                |
|                                       |                           | <b>Winding Thermal 2:</b>          | None                |

|                                   |                               |  |             |                       |            |    |  |              |           |    |
|-----------------------------------|-------------------------------|--|-------------|-----------------------|------------|----|--|--------------|-----------|----|
| <b>Nameplate NP3441LUA</b>        |                               |  |             |                       |            |    |  |              |           |    |
| <b>CAT.NO.</b>                    | CEM2332T-G                    |  |             |                       |            |    |  |              |           |    |
| <b>SPEC</b>                       | 09-0000-2208                  |  |             |                       |            |    |  |              |           |    |
| <b>HP</b>                         | 10                            |  |             |                       |            |    |  |              |           |    |
| <b>VOLTS</b>                      | 230/460                       |  |             |                       |            |    |  |              |           |    |
| <b>AMPS</b>                       | 28.2/14.1                     |  |             |                       |            |    |  |              |           |    |
| <b>RPM</b>                        | 1180                          |  |             |                       |            |    |  |              |           |    |
| <b>FRAME</b>                      | 256TC                         |  |             |                       | <b>HZ</b>  | 60 |  |              | <b>PH</b> | 3  |
| <b>SF</b>                         | 1.15                          |  | <b>CODE</b> | H                     | <b>DES</b> | B  |  | <b>CLASS</b> | H         |    |
| <b>NEMA NOM. EFF</b>              | 91                            |  | <b>PF</b>   | 72                    |            |    |  |              |           |    |
| <b>RATING</b>                     | 40C AMB-CONT                  |  |             |                       |            |    |  |              |           |    |
| <b>CC</b>                         | 010A                          |  |             | <b>USABLE AT 208V</b> |            |    |  |              |           | 30 |
| <b>ENCL</b>                       | TEFC                          |  | <b>SER</b>  |                       |            |    |  |              |           |    |
| <b>DE</b>                         | 6309                          |  |             | <b>ODE</b>            | 6208       |    |  |              |           |    |
| <b>VPWM INVERTER READY</b>        |                               |  |             |                       |            |    |  |              |           |    |
| <b>CT6-60H(10:1)VT3-60H(20:1)</b> |                               |  |             |                       |            |    |  |              |           |    |
|                                   | 50HZ 10HP 190/380V 33.2/16.6A |  |             |                       |            |    |  |              |           |    |
|                                   | SF1.0                         |  |             |                       |            |    |  |              |           |    |

| Parts List    |  |          |
|---------------|--|----------|
| Part Number   | Description                              | Quantity |
| SA379758      | SA 09-0000-2208                          | 1.000 EA |
| RA369780      | RA 09-0000-2208                          | 1.000 EA |
| LB1115N       | LABEL,LIFTING DEVICE (ON ROLLS)          | 1.000 EA |
| LC0005E01     | SPL CONN.DIA./WARN.LABEL(LC0005/LB1119)  | 1.000 EA |
| NP3441LUA     | ALUM SUPER-E VPWM INV READY UL CSA-EEV C | 1.000 EA |
| 85XU0407S04   | 4X1/4 U DRIVE PIN STAINLESS              | 4.000 EA |
| MN416A01      | TAG-INSTAL-MAINT no wire (2100/bx) 4/22  | 1.000 EA |
| 09FH4000SP    | 309 FH - BLACK PRIMER                    | 1.000 EA |
| HW1001A38     | LOCKWASHER 3/8, ZINC PLT .688 OD, .382 I | 4.000 EA |
| XY3816A12     | 3/8-16 FINISHED NUT                      | 4.000 EA |
| 09FN3001D01SP | EXTERNAL FAN, PLASTIC (COMES W/SCREW FRO | 1.000 EA |
| HW2500A25     | WOODRUFF KEY USA #1008 #BLOW CARBON STEE | 1.000 EA |
| MJ1000A02     | GREASE, MOBIL POLYREX EM - 124047        | 0.080 LB |
| LD7020D09     | LEAD SET, 12AWG, 9 LEAD, 20" LONG LEADS  | 1.000 EA |
| 09EP1100A208  | ENDPLATE, MACH                           | 1.000 EA |
| LD7020D09     | LEAD SET, 12AWG, 9 LEAD, 20" LONG LEADS  | 1.000 EA |
| HW3201A01     | 1/2-13 EYEBOLT                           | 1.000 EA |
| HW1002A63     | WASHER, 5/8 HI-COLLAR SPRLOCKWASHER      | 1.000 EA |
| HA3400A33     | STUD- 3/8-16 X 4.82 HEX WELKER           | 4.000 EA |
| HW1001A38     | LOCKWASHER 3/8, ZINC PLT .688 OD, .382 I | 4.000 EA |
| HW5100A08     | W3118-035 WVY WSHR (WB)                  | 1.000 EA |
| HA4051A00     | PLASTIC CAP FOR GREASE FITTING           | 1.000 EA |
| HW4500A05     | 1669B ALEM/UNIV860 GR FTG X              | 1.000 EA |
| HW4500A17     | 317400 ALEMITE GREASE RELIEF             | 1.000 EA |

| Parts List (continued) |  |          |
|------------------------|--|----------|
| Part Number            | Description                              | Quantity |
| HA4066A01              | PUSH IN T-DRAIN FITTING (BLACK)          | 1.000 EA |
| 09EP1300A155           | PUEP MACH W/309 BRG & "O" DRAIN, SLINGER | 1.000 EA |
| 10XN3816K28            | 3/8-16 X 1.75 HEX HD CAP SCREW, GRADE 5  | 4.000 EA |
| HW1001A38              | LOCKWASHER 3/8, ZINC PLT .688 OD, .382 I | 4.000 EA |
| HW4600B44              | V-RING SLINGER 1.500 X 1.810 X .28 VITON | 1.000 EA |
| 10XN2520K36            | 1/4-20 X 2.25" HX HD SCRWGRADE 5, ZINC P | 4.000 EA |
| HW1001A25              | LOCKWASHER 1/4, ZINC PLT .493 OD, .255 I | 4.000 EA |
| HA4051A00              | PLASTIC CAP FOR GREASE FITTING           | 1.000 EA |
| HW4500A03              | GREASE FITTING, .125 NPT 1610(ALEMITE) 8 | 1.000 EA |
| HW4500A17              | 317400 ALEMITE GREASE RELIEF             | 1.000 EA |
| HA4066A01              | PUSH IN T-DRAIN FITTING (BLACK)          | 1.000 EA |
| 09CB3003               | CB W/1.75" DIA LD HL - 37, 39, 307 & 309 | 1.000 EA |
| 09GS1000SP             | GASKET-CONDUIT BOX, 1/16 THICK LEXIDE    | 1.000 EA |
| 51XW2520A12            | .25-20 X .75, TAPTITE II, HEX WSHR SLTD  | 4.000 EA |
| WD1000B16              | T&B CX70TN OR L70P TERMINAL LUG          | 1.000 EA |
| 59XW2520G07            | .25-20X.44,HEX SER WSHR,TAPTITE 2,GREEN  | 1.000 EA |
| 09CB3501SP             | CONDUIT BOX LID FOR 09CB3001 & 09CB3002  | 1.000 EA |
| 09GS1013SP             | GS FOR 09CB3501, 12CB1500 & 12CB1503 LID | 1.000 EA |
| 51XW2520A12            | .25-20 X .75, TAPTITE II, HEX WSHR SLTD  | 2.000 EA |
| MG1000Y03              | MUNSELL 2.53Y 6.70/ 4.60, GLOSS 20,      | 0.070 GA |
| 09PA1000               | PACKAGING GROUP COMBINED PRINT           | 1.000 EA |
| HW2501G25              | KEY, 3/8 SQ X 2.875                      | 1.000 EA |
| FE-0000013             | ZRTG FE ASSEMBLY                         | 1.000 EA |

**AC Induction Motor Performance Data**

Record # 52520

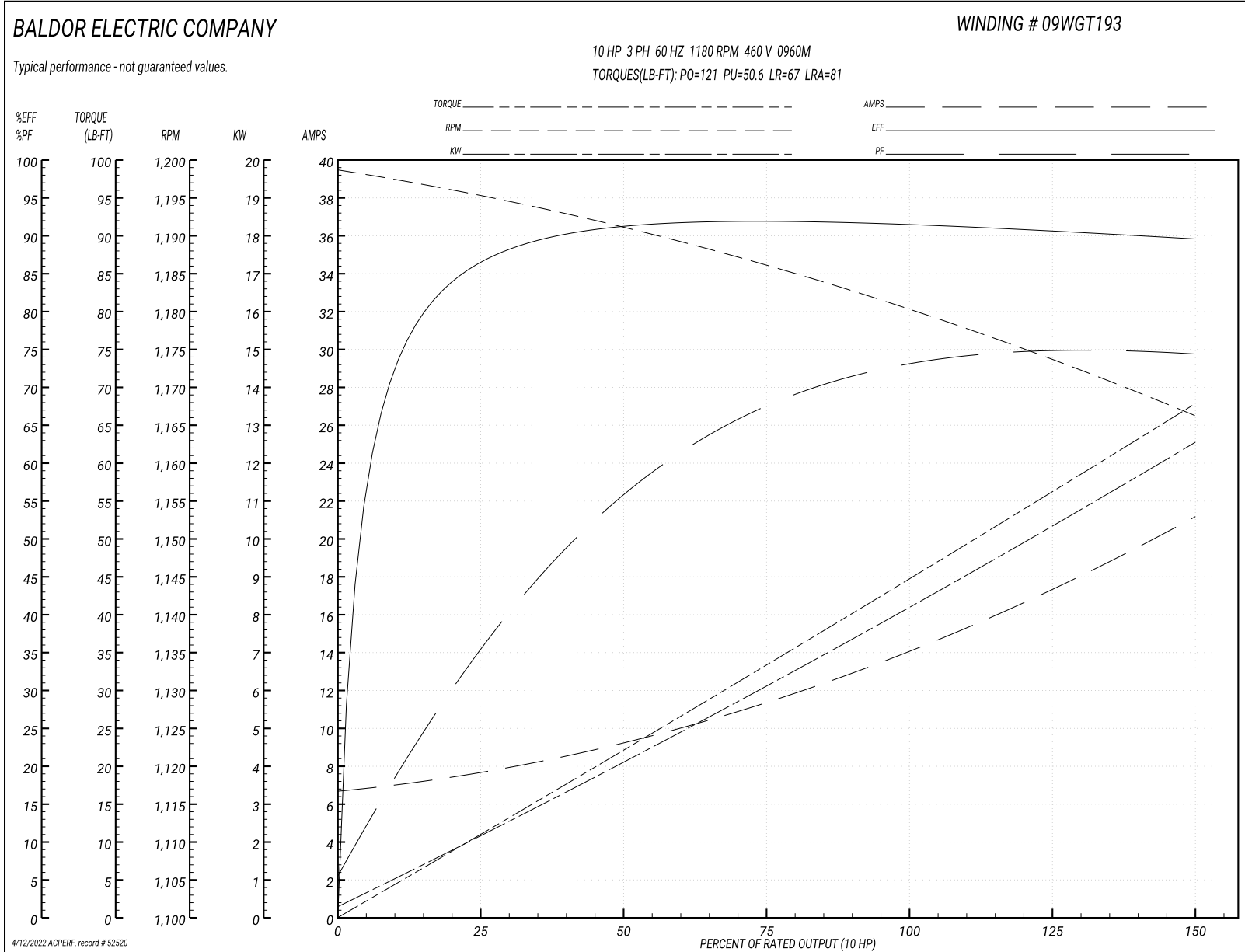
Typical performance - not guaranteed values

| Winding: 09WGT193-R005 |                 | Type: 0960M               | Enclosure: TEFC                                  |  |
|------------------------|-----------------|---------------------------|--|--|
| <b>Nameplate Data</b>  |                 |                           | <b>460 V, 60 Hz:<br/>High Voltage Connection</b> |  |
| Rated Output (HP)      | 10              | Full Load Torque          | 44.3 LB-FT                                       |  |
| Volts                  | 230/460         | Start Configuration       | direct on line                                   |  |
| Full Load Amps         | 28.2/14.1       | Breakdown Torque          | 121 LB-FT  |  |
| R.P.M.                 | 1180            | Pull-up Torque            | 50.6 LB-FT                                       |  |
| Hz                     | 60 Phase        | Locked-rotor Torque       | 67 LB-FT   |  |
| NEMA Design Code       | B KVA Code      | Starting Current          | 81 A   |  |
| Service Factor (S.F.)  | 1.15            | No-load Current           | 6.84 A   |  |
| NEMA Nom. Eff.         | 91 Power Factor | Line-line Res. @ 25°C     | 0.746 Ω  |  |
| Rating - Duty          | 40C AMB-CONT    | Temp. Rise @ Rated Load   | 38°C   |  |
| S.F. Amps              |                 | Temp. Rise @ S.F. Load    | 46°C   |  |
|                        |                 | Locked-rotor Power Factor | 24.9   |  |
|                        |                 | Rotor inertia             | 4.82 LB-FT <sup>2</sup>                          |  |

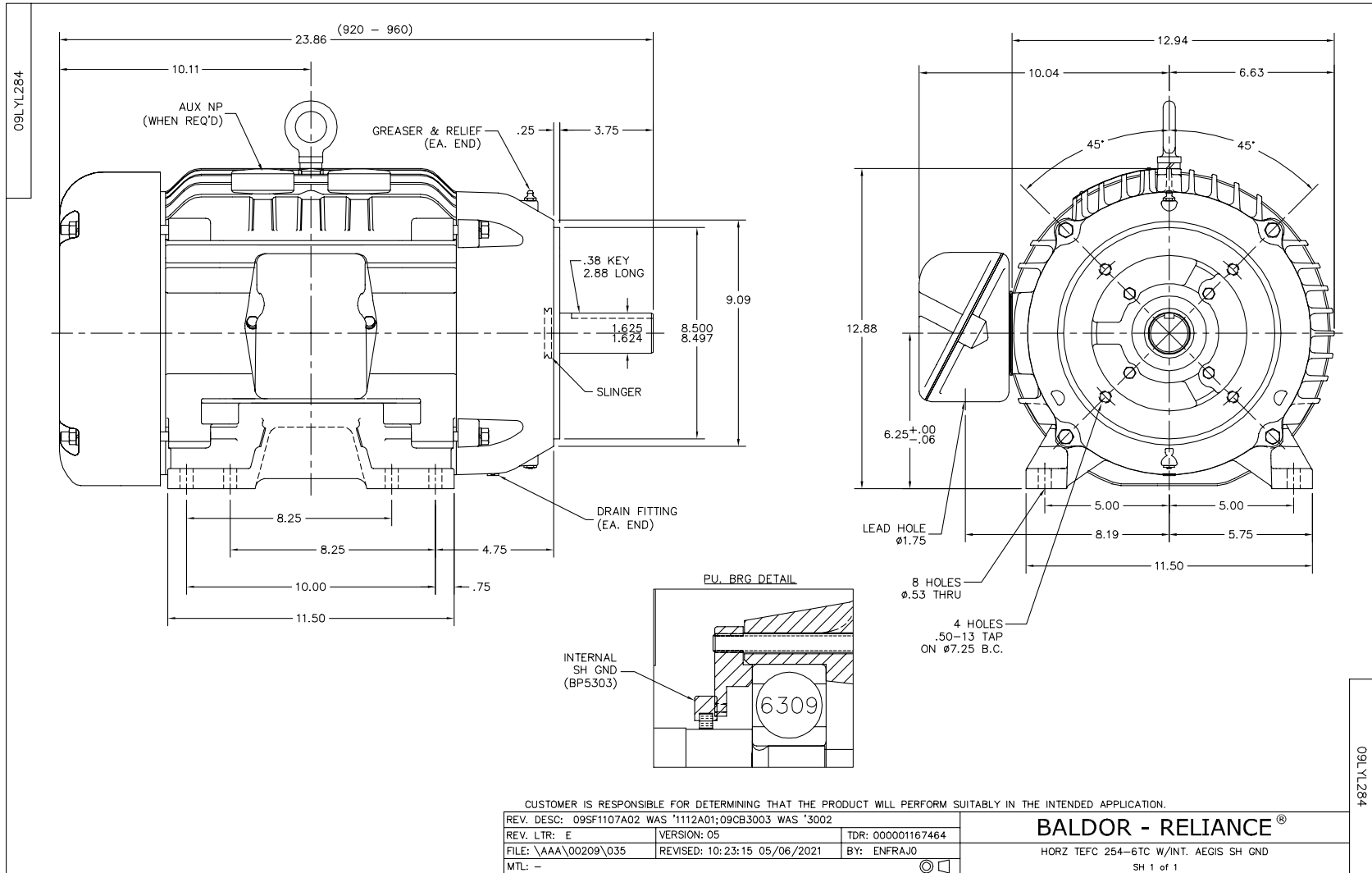
**Load Characteristics 460 V, 60 Hz, 10 HP**

| % of Rated Load | 25   | 50   | 75   | 100  | 125  | 150  | S.F. |
|-----------------|------|------|------|------|------|------|------|
| Power Factor    | 36   | 57   | 67   | 72   | 74   | 75   | 73   |
| Efficiency      | 85.8 | 90.7 | 91.9 | 91.7 | 91.1 | 89.4 | 91.3 |
| Speed           | 1195 | 1191 | 1186 | 1181 | 1174 | 1166 | 1177 |
| Line amperes    | 7.45 | 9.13 | 11.4 | 14.1 | 17.3 | 21.1 | 16   |

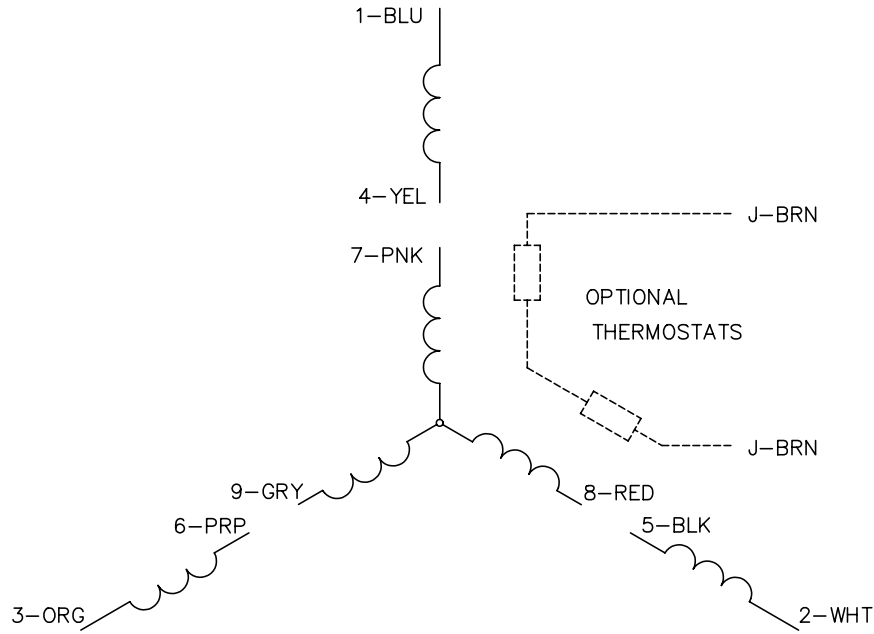
Performance Graph at 460V, 60Hz, 10.0HP Typical performance - Not guaranteed values







CD0005

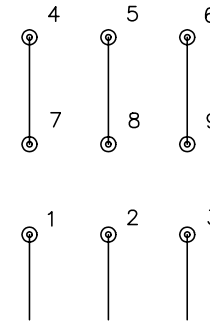


LOW VOLTAGE  
(2Y)



LINE

HIGH VOLTAGE  
(1Y)



LINE

NOTES:

1. INTERCHANGE ANY TWO LINE LEADS TO REVERSE ROTATION.
2. OPTIONAL THERMOSTATS ARE PROVIDED WHEN SPECIFIED.
3. ACTUAL NUMBER OF INTERNAL PARALLEL CIRCUITS MAY BE A MULTIPLE OF THOSE SHOWN ABOVE.
4. LEAD COLORS ARE OPTIONAL. LEADS MUST ALWAYS BE NUMBERED AS SHOWN.

|   |         |                         |              |
|---|---------|-------------------------|--------------|
| REV. DESC: REVISE TO SHOW OPTIONAL COLORS |         |                         |              |
| REV. LTR: E                               | BY: JLP | REVISED: 01/19/99 10:15 | TDR: 0171435 |
| 9000D                                     |         | FILE: AAA00005140       | MDL: -       |
|   |         | MTL: -                  |              |

**BALDOR ELECTRIC Co.**

3PH, DV, 9 LEADS

CD0005

Marketing maintained PDF of MN416:

<http://www.baldor.com/support/Literature/Load.ashx/MN416?ManNumber=MN416>