

**BALDOR® • RELIANCE** 

**Product Information Packet**

**CEM2515T-G**

**20HP,1765RPM,3PH,60HZ,256TC,OPSB,F1**

Part Detail							
Revision:	C	Status:	PRD/A	Change #:		Proprietary:	No
Type:	AC	Elec. Spec:	39WGX952	CD Diagram:	CD0180	Mfg Plant:	
Mech. Spec:		Layout:	39LYE477	Poles:	04	Created Date:	03-03-2020
Base:		Eff. Date:	11-11-2021	Leads:	9#10		

Specs			
Catalog Number:	CEM2515T-G	Feedback Device:	NO FEEDBACK
Enclosure:	OPSB	Heater Indicator:	No Heater
Frame:	256TC	Insulation Class:	H
Frame Material:	Steel	Inverter Code:	Inverter Ready
Output @ Frequency:	20.000 HP @ 60 HZ	IP Rating:	NONE
Synchronous Speed @ Frequency:	1800 RPM @ 60 HZ	KVA Code:	G
Voltage @ Frequency:	460.0 V @ 60 HZ	Lifting Lugs:	Standard Lifting Lugs
	230.0 V @ 60 HZ	Locked Bearing Indicator:	Locked Bearing
XP Class and Group:	None	Motor Lead Termination:	Flying Leads
XP Division:	Not Applicable	Motor Type:	3948M
Agency Approvals:	CSA	Mounting Arrangement:	F1
	CSA EEV	Power Factor:	85
	UR	Product Family:	General Purpose
Auxillary Box:	No Auxillary Box	Pulley Face Code:	C-Face
Auxillary Box Lead Termination:	None	Rodent Screen:	None
Base Indicator:	Rigid	Shaft Ground Indicator:	Shaft Grounding
Bearing Grease Type:	Polyrex EM (-20F +300F)	Shaft Rotation:	Reversible
Blower:	None	Speed Code:	Single Speed

<b>Current @ Voltage:</b>	24.000 A @ 460.0 V	<b>Motor Standards:</b>	NEMA
	48.000 A @ 230.0 V	<b>Starting Method:</b>	Direct on line
<b>Design Code:</b>	A	<b>Thermal Device - Bearing:</b>	None
<b>Drip Cover:</b>	No Drip Cover	<b>Thermal Device - Winding:</b>	None
<b>Duty Rating:</b>	CONT	<b>Vibration Sensor Indicator:</b>	No Vibration Sensor
<b>Electrically Isolated Bearing:</b>	Not Electrically Isolated	<b>Winding Thermal 1:</b>	None
		<b>Winding Thermal 2:</b>	None

<b>Nameplate NP3553LUA</b>										
<b>CAT.NO.</b>	CEM2515T-G									
<b>SPEC.</b>	39-0000820									
<b>HP</b>	20									
<b>VOLTS</b>	230/460									
<b>AMPS</b>	48/24									
<b>RPM</b>	1765									
<b>FRAME</b>	256TC				<b>HZ</b>	60			<b>PH</b>	3
<b>SF</b>	1.15		<b>CODE</b>	G	<b>DES</b>	A		<b>CLASS</b>	H	
<b>NEMA NOM. EFF</b>	93		<b>PF</b>	85						
<b>RATING</b>	40C AMB-CONT									
<b>CC</b>	010A				<b>USABLE AT 208V</b>					52
<b>DE</b>	6309				<b>ODE</b>	6208				
<b>ENCL</b>	OPSB		<b>SN</b>							
<b>VPWM INVERTER READY</b>										
<b>CT30-60(2:1) VT3-60(20:1)</b>										
<b>USABLE AT</b>	50HZ 20HP 190/380V 58/29A								SF1.0	

Parts List		
Part Number	Description	Quantity
SA379643	SA 39-0000820	1.000 EA
RA369659	RA 39-0000820	1.000 EA
LB1115N	LABEL,LIFTING DEVICE (ON ROLLS)	1.000 EA
LB1119N	WARNING LABEL	1.000 EA
LC0181	CONNECTION LABEL	1.000 EA
NP3553LUA	ALUM SUPER-E VPWM INVERTER READY UL	1.000 EA
85XU0407S04	4X1/4 U DRIVE PIN STAINLESS	2.000 EA
MN416A01	TAG-INSTAL-MAINT no wire (2100/bx) 4/22	1.000 EA
LD7020E09	LEAD SET, 10AWG, 9 LEAD, 20" LONG LEADS	1.000 EA
HA6361A01	LIFTING LUG FOR 37, 39 & 40 FRAME ZINC	2.000 EA
MJ1000A02	GREASE, MOBIL POLYREX EM - 124047	0.080 LB
HA3154A10	THRUBOLT STUD 3/8-16 X 18.250"	4.000 EA
XY3816A12	3/8-16 FINISHED NUT	8.000 EA
39EP3200A01SP	FR/PU ENDPLATE, MACH	1.000 EA
HW5100A08	W3118-035 WVY WSHR (WB)	1.000 EA
HA4051A00	PLASTIC CAP FOR GREASE FITTING	1.000 EA
HW4500A03	GREASE FITTING, .125 NPT 1610(ALEMITE) 8	1.000 EA
HW4500A17	317400 ALEMITE GREASE RELIEF	1.000 EA
39EP3400A24	PUEP, MACH - 309 BRG	1.000 EA
HW4600B67	V-RING SLINGER 1.770 X 2.170 X .28 VITON	1.000 EA
10XN2520K28	1/4-20 X 1.75" HX HD SCRWGRADE 5, ZINC P	4.000 EA
HW1001A25	LOCKWASHER 1/4, ZINC PLT .493 OD, .255 I	4.000 EA
HA4051A00	PLASTIC CAP FOR GREASE FITTING	1.000 EA
HW4500A03	GREASE FITTING, .125 NPT 1610(ALEMITE) 8	1.000 EA

<b>Parts List (continued)</b>		
<b>Part Number</b>	<b>Description</b>	<b>Quantity</b>
HW4500A17	317400 ALEMITE GREASE RELIEF	1.000 EA
09CB3003A01	CB W/1.75" DIA LD HL , .31-18 TAP GROUND	1.000 EA
51XW2520A12	.25-20 X .75, TAPTITE II, HEX WSHR SLTD	2.000 EA
51XW2520A12	.25-20 X .75, TAPTITE II, HEX WSHR SLTD	2.000 EA
WD1000B25	GND LUG, BURNDY L125HP OR T&B L125HP-BB	1.000 EA
19XW3118G08	.31-18X.50,HEX WSHR HD,TAPTITE 2,GREEN	1.000 EA
HA6016	ADAPTER, CAST CONDUIT BOX	1.000 EA
09CB3501SP	CONDUIT BOX LID FOR 09CB3001 & 09CB3002	1.000 EA
39AD2002B01	BAFFLE PLATE 39 OPEN, SLOTTED BAND MTRS	1.000 EA
39AD2002B01	BAFFLE PLATE 39 OPEN, SLOTTED BAND MTRS	1.000 EA
MG1000Y03	MUNSELL 2.53Y 6.70/ 4.60, GLOSS 20,	0.070 GA
39PA1000	PACKAGING GROUP 39 PRINT	1.000 EA
HW2501G25	KEY, 3/8 SQ X 2.875	1.000 EA

**AC Induction Motor Performance Data**

Record # 57686

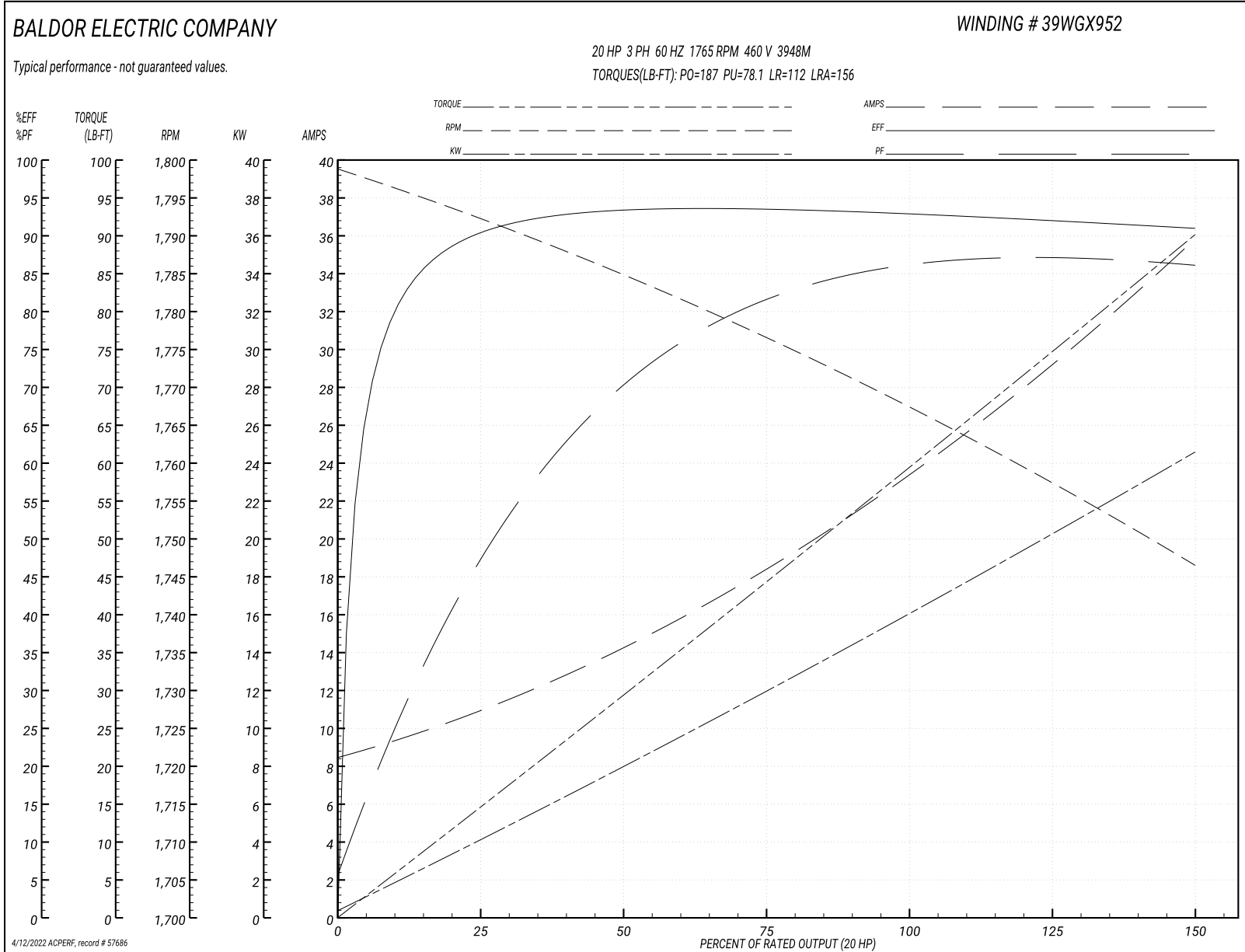
Typical performance - not guaranteed values

<b>Winding: 39WGX952-R003</b>			<b>Type: 3948M</b>			<b>Enclosure: OPSB</b>		
<b>Nameplate Data</b>				<b>460 V, 60 Hz: High Voltage Connection</b>				
<b>Rated Output (HP)</b>	20		<b>Full Load Torque</b>		59.7 LB-FT			
<b>Volts</b>	230/460		<b>Start Configuration</b>		direct on line			
<b>Full Load Amps</b>	48/24		<b>Breakdown Torque</b>		187 LB-FT			
<b>R.P.M.</b>	1765		<b>Pull-up Torque</b>		78.1 LB-FT			
<b>Hz</b>	60	<b>Phase</b>	3	<b>Locked-rotor Torque</b>		112 LB-FT		
<b>NEMA Design Code</b>	A	<b>KVA Code</b>	G	<b>Starting Current</b>		156 A		
<b>Service Factor (S.F.)</b>	1.15		<b>No-load Current</b>		8.83 A			
<b>NEMA Nom. Eff.</b>	93	<b>Power Factor</b>	85	<b>Line-line Res. @ 25°C</b>		0.48438 Ω		
<b>Rating - Duty</b>	40C AMB-CONT		<b>Temp. Rise @ Rated Load</b>		37°C			
<b>S.F. Amps</b>			<b>Temp. Rise @ S.F. Load</b>		46°C			
				<b>Locked-rotor Power Factor</b>		33.3		

**Load Characteristics 460 V, 60 Hz, 20 HP**

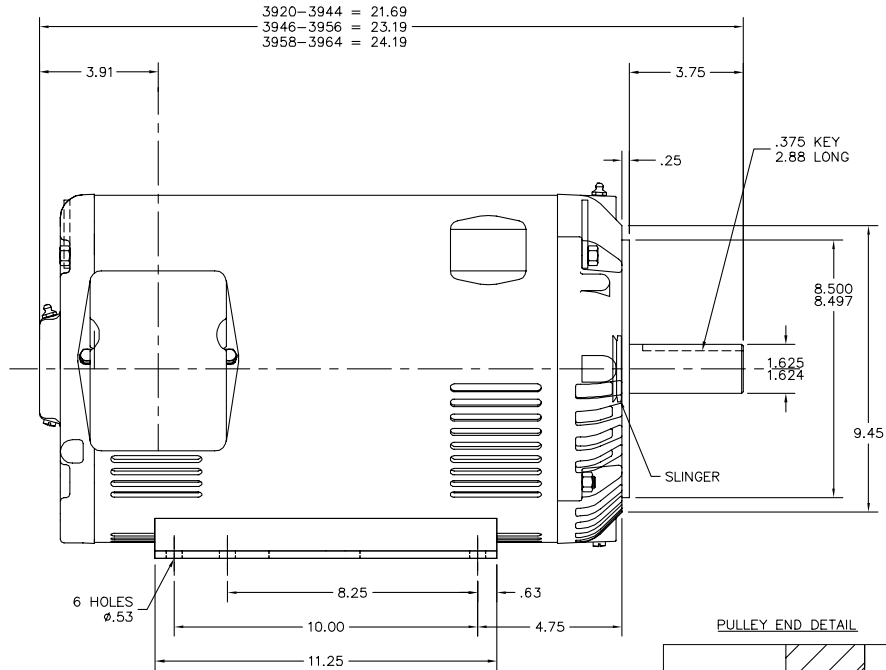
<b>% of Rated Load</b>	<b>25</b>	<b>50</b>	<b>75</b>	<b>100</b>	<b>125</b>	<b>150</b>	<b>S.F.</b>
<b>Power Factor</b>	50	72	81	85	87	87	86
<b>Efficiency</b>	90.2	93.3	93.5	93	92.2	91	92.5
<b>Speed</b>	1792.2	1784.8	1776.1	1767.5	1757.6	1746.3	1762
<b>Line amperes</b>	10.5	14	18.6	23.8	29.4	35.6	27.2

Performance Graph at 460V, 60Hz, 20.0HP Typical performance - Not guaranteed values

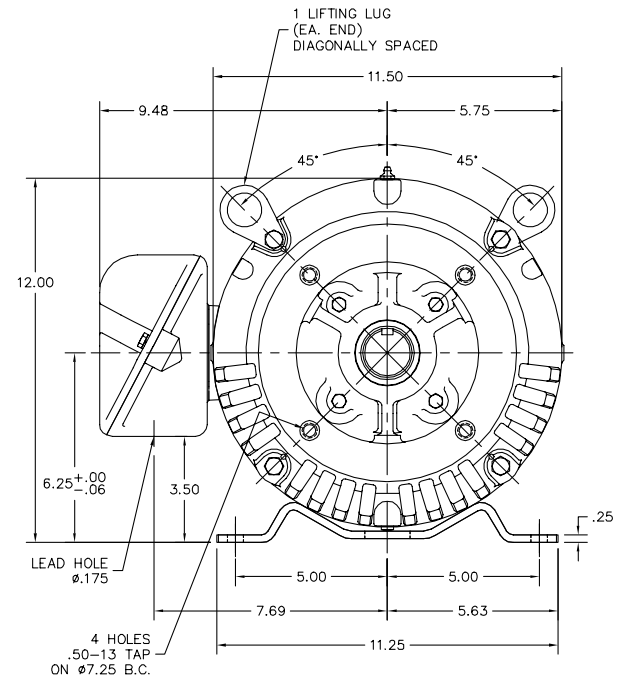
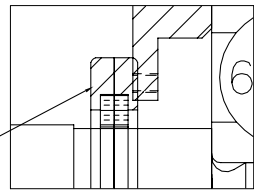




39LYE477



PULLEY END DETAIL



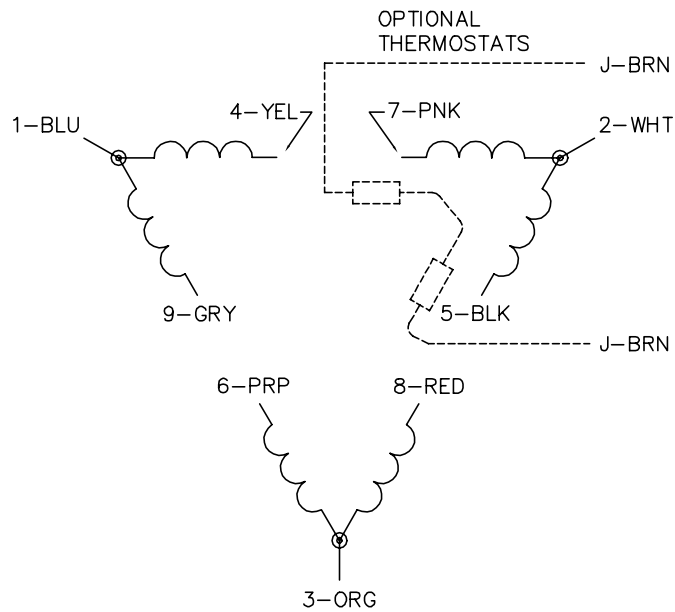
CUSTOMER IS RESPONSIBLE FOR DETERMINING THAT THE PRODUCT WILL PERFORM SUITABLY IN THE INTENDED APPLICATION.

REV. DESC: 09CB3003 WAS '3002(LIFE-CYCLE)	VERSION: 03	TDR: 000001165917
REV. LTR: C	REVISED: 03:08:07 04/23/2021	BY: ENFRAJO
FILE: \AAA\00194\158		
MTL: -		

**BALDOR - RELIANCE**®  
 HORZ OPSB 254-6TC, AEGIS INT SH GND  
 SH 1 of 1

39LYE477

CD0180



LOW VOLTAGE  
(2D)



HIGH VOLTAGE  
(1D)



NOTES:

1. INTERCHANGE ANY TWO LINE LEADS TO REVERSE ROTATION.
2. OPTIONAL THERMOSTATS ARE PROVIDED WHEN SPECIFIED.
3. ACTUAL NUMBER OF INTERNAL PARALLEL CIRCUITS MAY BE A MULTIPLE OF THOSE SHOWN ABOVE.
4. LEAD COLORS ARE OPTIONAL. LEADS MUST ALWAYS BE NUMBERED AS SHOWN.

CD0180

REV. DESC: ADD CLASS CONN00000007		
REV. LTR: D	VERSION: 01	TDR: 000001099922
FILE: \AAA\00005\148	REVISED: 10:25:29 02/19/2019	BY: ENBRIRO
MTL: -	© □	

**BALDOR - RELIANCE®**

3PH, DV, 9 LEADS, DELTA CONNECTION

SH 1 of 1

Marketing maintained PDF of MN416:

<http://www.baldor.com/support/Literature/Load.ashx/MN416?ManNumber=MN416>