

**BALDOR® • RELIANCE** 

**Product Information Packet**

**CEM2524T-G**

**15HP,1180RPM,3PH,60HZ,284TC,OPSB,F1**

Part Detail							
Revision:	C	Status:	PRD/A	Change #:		Proprietary:	No
Type:	AC	Elec. Spec:	40WG775	CD Diagram:	CD0005	Mfg Plant:	
Mech. Spec:		Layout:	40LY-000-046	Poles:	06	Created Date:	09-15-2020
Base:		Eff. Date:	04-07-2022	Leads:	9#10		

Specs			
Catalog Number:	CEM2524T-G	Heater Indicator:	No Heater
Enclosure:	OPSB	Insulation Class:	H
Frame:	284TC	Inverter Code:	Inverter Duty
Frame Material:	Steel	IP Rating:	NONE
Output @ Frequency:	15.000 HP @ 60 HZ	KVA Code:	G
Synchronous Speed @ Frequency:	1200 RPM @ 60 HZ	Lifting Lugs:	Standard Lifting Lugs
Voltage @ Frequency:	230.0 V @ 60 HZ	Locked Bearing Indicator:	Locked Bearing
	460.0 V @ 60 HZ	Motor Lead Termination:	Flying Leads
Agency Approvals:	CSA	Motor Type:	4038M
	CSA EEV	Mounting Arrangement:	F1
	UR	Power Factor:	75
Auxillary Box:	No Auxillary Box	Product Family:	General Purpose
Auxillary Box Lead Termination:	None	Pulley Face Code:	C-Face
Base Indicator:	Rigid	Rodent Screen:	None
Bearing Grease Type:	Polyrex EM (-20F +300F)	Shaft Ground Indicator:	Shaft Grounding
Blower:	None	Shaft Rotation:	Reversible
Current @ Voltage:	20.500 A @ 460.0 V	Speed Code:	Single Speed
	41.000 A @ 230.0 V	Motor Standards:	NEMA

	42.000 A @ 208.0 V	<b>Starting Method:</b>	Direct on line
<b>Design Code:</b>	B	<b>Thermal Device - Bearing:</b>	None
<b>Drip Cover:</b>	No Drip Cover	<b>Thermal Device - Winding:</b>	None
<b>Duty Rating:</b>	CONT	<b>Vibration Sensor Indicator:</b>	No Vibration Sensor
<b>Electrically Isolated Bearing:</b>	Not Electrically Isolated	<b>Winding Thermal 1:</b>	None
<b>Feedback Device:</b>	NO FEEDBACK	<b>Winding Thermal 2:</b>	None

Nameplate NP3554LUA											
CAT.NO.	CEM2524T-G			P/N				ENCL	OPSB		
SPEC.	40-0000-0169		CC	010A		FRAME	284TC		SER.NO.		
HP	15		CLASS	H		HZ	60				
RPM	1180		PH	3		DES	B				
VOLTS	230/460			CODE	G		ODE BRG	6309		DE BRG	6311
AMPS	41/20.5			USABLE AT 208V	42						
RATING	40C AMB-CONT			NEMA-NOM-EFF	91.7		GREASE	POLYREX EM			
PF	75		SER.F.	1.15		CT30-60(2:1)		VT3-60(20:1)			
USABLE AT	50HZ 15HP 190/380V 48/24A				SF1.0						
HTR-VOLTS			HTR-AMPS			MAX. SPACE HEATER TEMP.					

Parts List		
Part Number	Description	Quantity
SA386794	SA 40-0000-0169	1.000 EA
RA377101	RA 40-0000-0169	1.000 EA
LB1115N	LABEL,LIFTING DEVICE (ON ROLLS)	1.000 EA
LC0005E01	CONN.DIA./WARNING LABEL (LC0005/LB1119N)	1.000 EA
NP3554LUA	SS SUPER-E VPWM INV READY UL CSA-EEV PRE	1.000 EA
85XU0407S04	4X1/4 U DRIVE PIN STAINLESS	4.000 EA
MN416A01	TAG-INSTAL-MAINT no wire (2100/bx) 4/22	1.000 EA
HA6361A01	LIFTING LUG FOR 37, 39 & 40 FRAME ZINC	2.000 EA
MJ1000A02	GREASE, MOBIL POLYREX EM - 124047	0.130 LB
HA3154A03	STUD, 3/8-16 X 17.75	4.000 EA
HW1001A38	LOCKWASHER 3/8, ZINC PLT .688 OD, .382 I	8.000 EA
XY3816A12	3/8-16 FINISHED NUT	8.000 EA
40EP3200A02	STD FREP OPEN 309 BRG	1.000 EA
HW5100A11	W3917-042 WVY WSHR (WB)	1.000 EA
HA4051A00	PLASTIC CAP FOR GREASE FITTING	1.000 EA
HW4500A03	GREASE FITTING, .125 NPT 1610(ALEMITE) 8	1.000 EA
HW4500A20	1/8NPT SL PIPE PLUG	1.000 EA
40EP1400A13	PU ENDPLATE, CFACE MACH W/O BAFFEL	1.000 EA
10XN3118K40	5/16-18 X 2.25" HEX HD, GRADE 5	4.000 EA
HW1001A31	LOCKWASHER 5/16, ZINC PLT.591 OD, .319 I	4.000 EA
HA4051A00	PLASTIC CAP FOR GREASE FITTING	1.000 EA
HW4500A03	GREASE FITTING, .125 NPT 1610(ALEMITE) 8	1.000 EA
HW4500A20	1/8NPT SL PIPE PLUG	1.000 EA
10CB3000SP	KOBX, CAST W/2.00 LEAD HOLE	1.000 EA

<b>Parts List (continued)</b>		
<b>Part Number</b>	<b>Description</b>	<b>Quantity</b>
19XW3118A12	.31-18 X .75 HEX WASHER HEAD TAPTITE II	2.000 EA
HW1001A31	LOCKWASHER 5/16, ZINC PLT.591 OD, .319 I	2.000 EA
WD1000B25	GND LUG, BURNDY L125HP OR T&B L125HP-BB	1.000 EA
19XW3118G08	.31-18X.50,HEX WSHR HD,TAPTITE 2,GREEN	1.000 EA
HA6017	CAST ADAPTER, 40,42 KOBX	1.000 EA
19XW3118A12	.31-18 X .75 HEX WASHER HEAD TAPTITE II	2.000 EA
HW1001A31	LOCKWASHER 5/16, ZINC PLT.591 OD, .319 I	2.000 EA
10CB3500SP	CONDUIT BOX LID, CAST	1.000 EA
51XW2520A12	.25-20 X .75, TAPTITE II, HEX WSHR SLTD	4.000 EA
40AD2002B01	LEXAN BAFFLE 40 FR OPEN	1.000 EA
40AD2002B01	LEXAN BAFFLE 40 FR OPEN	1.000 EA
MG1000Y03	MUNSELL 2.53Y 6.70/ 4.60, GLOSS 20,	0.125 GA
40PA1000	PACKAGING GROUP	1.000 EA
HW2501H28	KEY, 1/2 SQ X 3.250	1.000 EA

**AC Induction Motor Performance Data**

Record # 36103

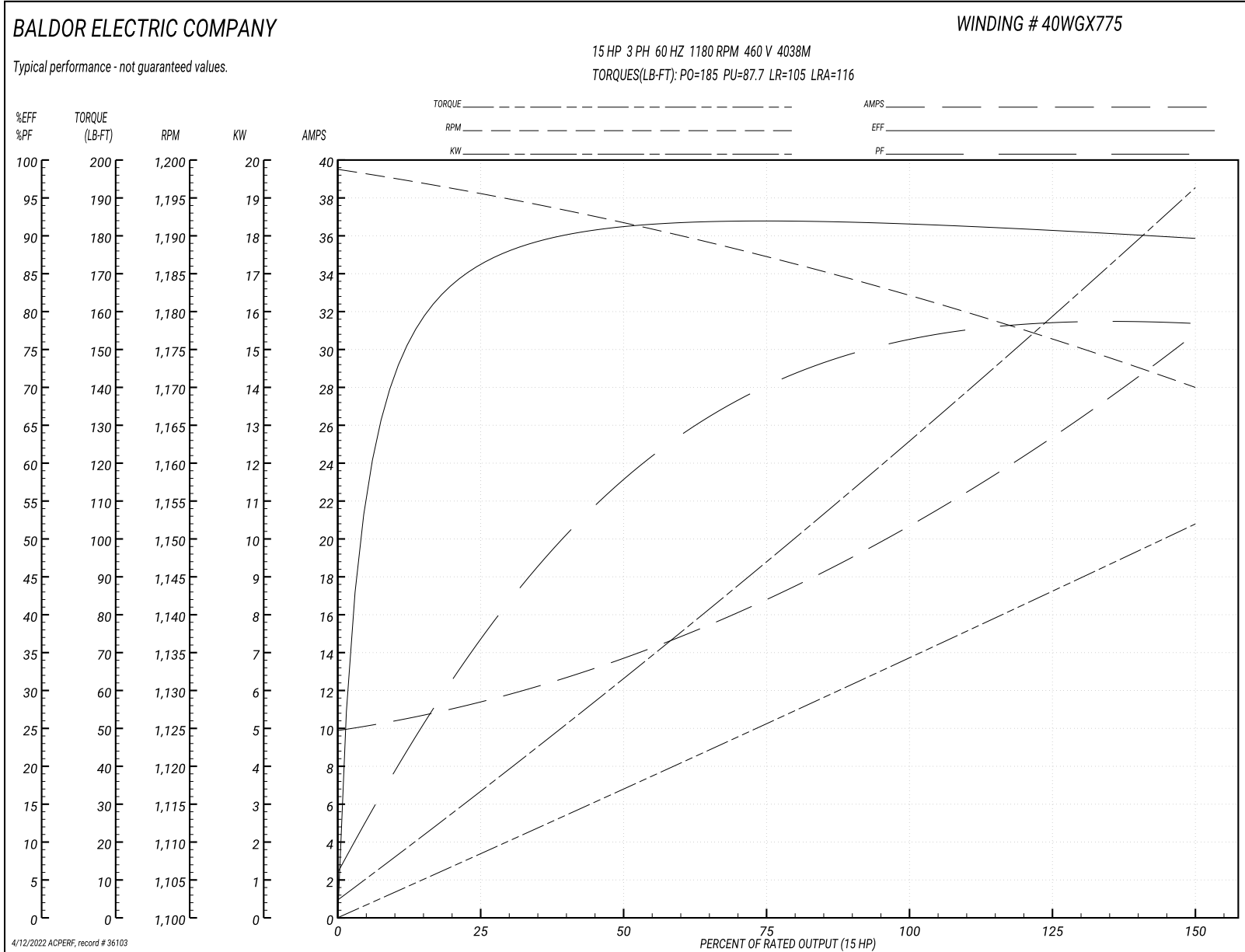
Typical performance - not guaranteed values

<b>Winding: 40WGX775-R002</b>		<b>Type: 4038M</b>		<b>Enclosure: OPSB</b>	
<b>Nameplate Data</b>			<b>460 V, 60 Hz: High Voltage Connection</b>		
<b>Rated Output (HP)</b>	15	<b>Full Load Torque</b>	66.8 LB-FT		
<b>Volts</b>	230/460	<b>Start Configuration</b>	direct on line		
<b>Full Load Amps</b>	41/20.5	<b>Breakdown Torque</b>	185 LB-FT		
<b>R.P.M.</b>	1180	<b>Pull-up Torque</b>	87.7 LB-FT		
<b>Hz</b>	60 Phase	<b>Locked-rotor Torque</b>	105 LB-FT		
<b>NEMA Design Code</b>	B KVA Code	<b>G</b>	<b>Starting Current</b>	116 A	
<b>Service Factor (S.F.)</b>	1.15	<b>No-load Current</b>	10.1 A		
<b>NEMA Nom. Eff.</b>	91.7 Power Factor	75	<b>Line-line Res. @ 25°C</b>	0.67748 Ω	
<b>Rating - Duty</b>	40C AMB-CONT		<b>Temp. Rise @ Rated Load</b>	26°C	
<b>S.F. Amps</b>			<b>Temp. Rise @ S.F. Load</b>	31°C	
			<b>Locked-rotor Power Factor</b>	34	
			<b>Rotor inertia</b>	4.65 LB-FT <sup>2</sup>	

**Load Characteristics 460 V, 60 Hz, 15 HP**

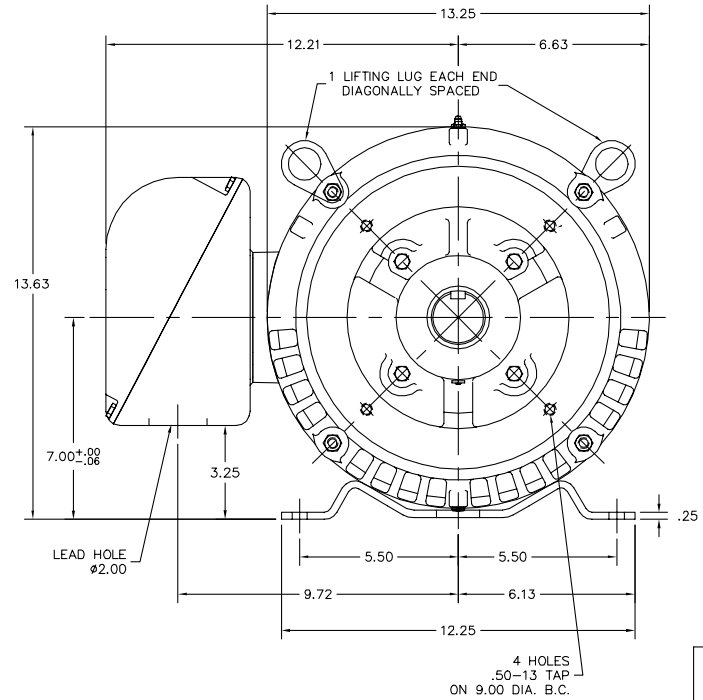
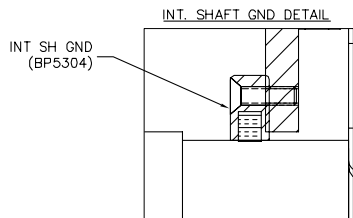
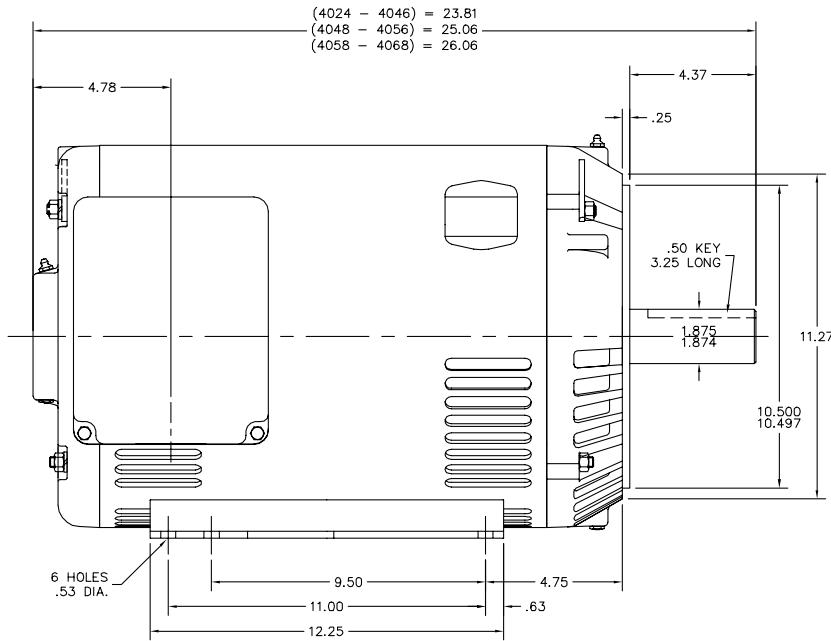
<b>% of Rated Load</b>	<b>25</b>	<b>50</b>	<b>75</b>	<b>100</b>	<b>125</b>	<b>150</b>	<b>S.F.</b>
<b>Power Factor</b>	37	58	69	75	78	79	77
<b>Efficiency</b>	85.5	90.7	91.8	91.8	91.2	89.9	91.4
<b>Speed</b>	1195.6	1191.7	1187.6	1182.8	1177.5	1169.8	1180
<b>Line amperes</b>	11.1	13.4	16.6	20.4	24.8	30.7	23

Performance Graph at 460V, 60Hz, 15.0HP Typical performance - Not guaranteed values





40LY-000-046



40LY-000-046

CUSTOMER IS RESPONSIBLE FOR DETERMINING THAT BALDOR'S PRODUCT WILL PERFORM SUITABLY IN THE INTENDED APPLICATION.

REV. DESC: NEW	VERSION: 00	TDR: 0000011335B4
REV. LTR: -	REVISED: 02:54:34 03/29/2020	BY: ENSHABO
FILE: \AAA\00253\014		
MTL: -		

**BALDOR - RELIANCE**®

HORZ OPSB 284-6TC W/INT SH GND  
SH 1 of 1

CD0005

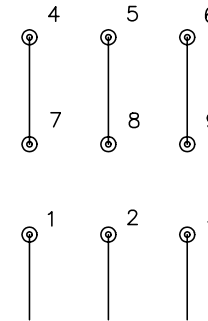


LOW VOLTAGE  
(2Y)



LINE

HIGH VOLTAGE  
(1Y)



LINE

NOTES:

1. INTERCHANGE ANY TWO LINE LEADS TO REVERSE ROTATION.
2. OPTIONAL THERMOSTATS ARE PROVIDED WHEN SPECIFIED.
3. ACTUAL NUMBER OF INTERNAL PARALLEL CIRCUITS MAY BE A MULTIPLE OF THOSE SHOWN ABOVE.
4. LEAD COLORS ARE OPTIONAL. LEADS MUST ALWAYS BE NUMBERED AS SHOWN.

REV. DESC: REVISE TO SHOW OPTIONAL COLORS

REV. LTR: E BY: JLP

REVISED: 01/19/99 10:15

TDR: 0171435

9000D

FILE: AAA00005140

MDL: -

MTL: -

**BALDOR ELECTRIC Co.**

3PH, DV, 9 LEADS

CD0005

Marketing maintained PDF of MN416:

<http://www.baldor.com/support/Literature/Load.ashx/MN416?ManNumber=MN416>