

BALDOR® • RELIANCE 

Product Information Packet

CEM2532T

25HP,1180RPM,3PH,60HZ,324TC,OPSB,F1

Part Detail							
Revision:	-	Status:	PRD/A	Change #:		Proprietary:	No
Type:	AC	Elec. Spec:	40WGX192	CD Diagram:	CD0180	Mfg Plant:	
Mech. Spec:		Layout:	40LYH006	Poles:	06	Created Date:	02-20-2020
Base:		Eff. Date:	02-24-2020	Leads:	9#10		

Specs			
Catalog Number:	CEM2532T	Heater Indicator:	No Heater
Enclosure:	OPSB	Insulation Class:	F
Frame:	324TC	Inverter Code:	Inverter Ready
Frame Material:	Steel	IP Rating:	NONE
Output @ Frequency:	25.000 HP @ 60 HZ	KVA Code:	J
Synchronous Speed @ Frequency:	1200 RPM @ 60 HZ	Lifting Lugs:	Standard Lifting Lugs
Voltage @ Frequency:	230.0 V @ 60 HZ	Locked Bearing Indicator:	Locked Bearing
	460.0 V @ 60 HZ	Motor Lead Termination:	Flying Leads
Agency Approvals:	CSA	Motor Type:	4072M
	CSA EEV	Mounting Arrangement:	F1
	UR	Power Factor:	76
Auxillary Box:	No Auxillary Box	Product Family:	General Purpose
Auxillary Box Lead Termination:	None	Pulley Face Code:	C-Face
Base Indicator:	Rigid	Rodent Screen:	None
Bearing Grease Type:	Polyrex EM (-20F +300F)	Shaft Ground Indicator:	No Shaft Grounding
Blower:	None	Shaft Rotation:	Reversible
Current @ Voltage:	34.000 A @ 460.0 V	Speed Code:	Single Speed
	68.000 A @ 230.0 V	Motor Standards:	NEMA

	70.000 A @ 208.0 V	Starting Method:	Direct on line
Design Code:	A	Thermal Device - Bearing:	None
Drip Cover:	No Drip Cover	Thermal Device - Winding:	None
Duty Rating:	CONT	Vibration Sensor Indicator:	No Vibration Sensor
Electrically Isolated Bearing:	Not Electrically Isolated	Winding Thermal 1:	None
Feedback Device:	NO FEEDBACK	Winding Thermal 2:	None

Nameplate NP2138L											
CAT.NO.	CEM2532T			P/N				ENCLOSURE	OPSB		
SPEC.	40-0000784		CC	010A	FRAME	324TC		S/N			
HP	25		CLASS	F	HZ	60					
RPM	1180		PH	3	DES	A					
VOLT	230/460			KVA-CODE	J		ODE BRG	6309		DE BRG	6312
AMP	68/34			USABLE AT 208V	70						
RATING	40C AMB-CONT			GREASE	POLYREX EM						
NEMA-NOM-EFF	93	PF	76	SER.F.	1.15						
HTR-VOLTS			HTR-AMPS								

Parts List		
Part Number	Description	Quantity
SA379248	SA 40-0000784	1.000 EA
RA369234	RA 40-0000784	1.000 EA
LB1115N	LABEL,LIFTING DEVICE (ON ROLLS)	1.000 EA
LB1119N	WARNING LABEL	1.000 EA
LC0181	CONNECTION LABEL	1.000 EA
NP2138L	ALUM SUPER-E UL CSA-EEV PREM CC (300	1.000 EA
85XU0407S04	4X1/4 U DRIVE PIN STAINLESS	4.000 EA
MN416A01	TAG-INSTAL-MAINT no wire (2100/bx) 4/22	1.000 EA
HA6361A01	LIFTING LUG FOR 37, 39 & 40 FRAME ZINC	2.000 EA
MJ1000A02	GREASE, MOBIL POLYREX EM - 124047	0.130 LB
HA3154A12	THRUBOLT STUD 3/8-16 X 21.00	4.000 EA
HW1001A38	LOCKWASHER 3/8, ZINC PLT .688 OD, .382 I	8.000 EA
XY3816A12	3/8-16 FINISHED NUT	8.000 EA
40EP3200A02	STD FREP OPEN 309 BRG	1.000 EA
HW5100A11	W3917-042 WVY WSHR (WB)	1.000 EA
HA4051A00	PLASTIC CAP FOR GREASE FITTING	1.000 EA
HW4500A03	GREASE FITTING, .125 NPT 1610(ALEMITE) 8	1.000 EA
HW4500A20	1/8NPT SL PIPE PLUG	1.000 EA
40EP1401A01	PU ENDPLATE, MACH OPEN NEMA 324-6T	1.000 EA
10XN3118K40	5/16-18 X 2.50" HEX HD, GRADE 5	4.000 EA
HW1001A31	LOCKWASHER 5/16, ZINC PLT.591 OD, .319 I	4.000 EA
HA4051A00	PLASTIC CAP FOR GREASE FITTING	1.000 EA
HW4500A03	GREASE FITTING, .125 NPT 1610(ALEMITE) 8	1.000 EA
HW4500A20	1/8NPT SL PIPE PLUG	1.000 EA

Parts List (continued)		
Part Number	Description	Quantity
10CB3001	CONDUIT BOX CAST W/2.500 LEAD HOLE	1.000 EA
10XN3118K12	5/16-18 X .75 GRADE 5, ZINC PLATED	4.000 EA
HW1001A31	LOCKWASHER 5/16, ZINC PLT.591 OD, .319 I	4.000 EA
WD1000B25	GND LUG, BURNDY L125HP OR T&B L125HP-BB	1.000 EA
19XW3118G08	.31-18X.50,HEX WSHR HD,TAPTITE 2,GREEN	1.000 EA
HA6017	CAST ADAPTER, 40,42 KOBX	1.000 EA
19XW3118A12	.31-18 X .75 HEX WASHER HEAD TAPTITE II	2.000 EA
HW1001A31	LOCKWASHER 5/16, ZINC PLT.591 OD, .319 I	2.000 EA
10CB3500SP	CONDUIT BOX LID, CAST	1.000 EA
51XW2520A12	.25-20 X .75, TAPTITE II, HEX WSHR SLTD	4.000 EA
40AD2002A01	LEXAN BAFFLE 40 FR OPEN	1.000 EA
40AD2002A01	LEXAN BAFFLE 40 FR OPEN	1.000 EA
MG1000Y03	MUNSELL 2.53Y 6.70/ 4.60, GLOSS 20,	0.125 GA
40PA1000	PACKAGING GROUP	1.000 EA
HW2501H33	KEY, 1/2 SQ X 3.875	1.000 EA

AC Induction Motor Performance Data

Record # 81243

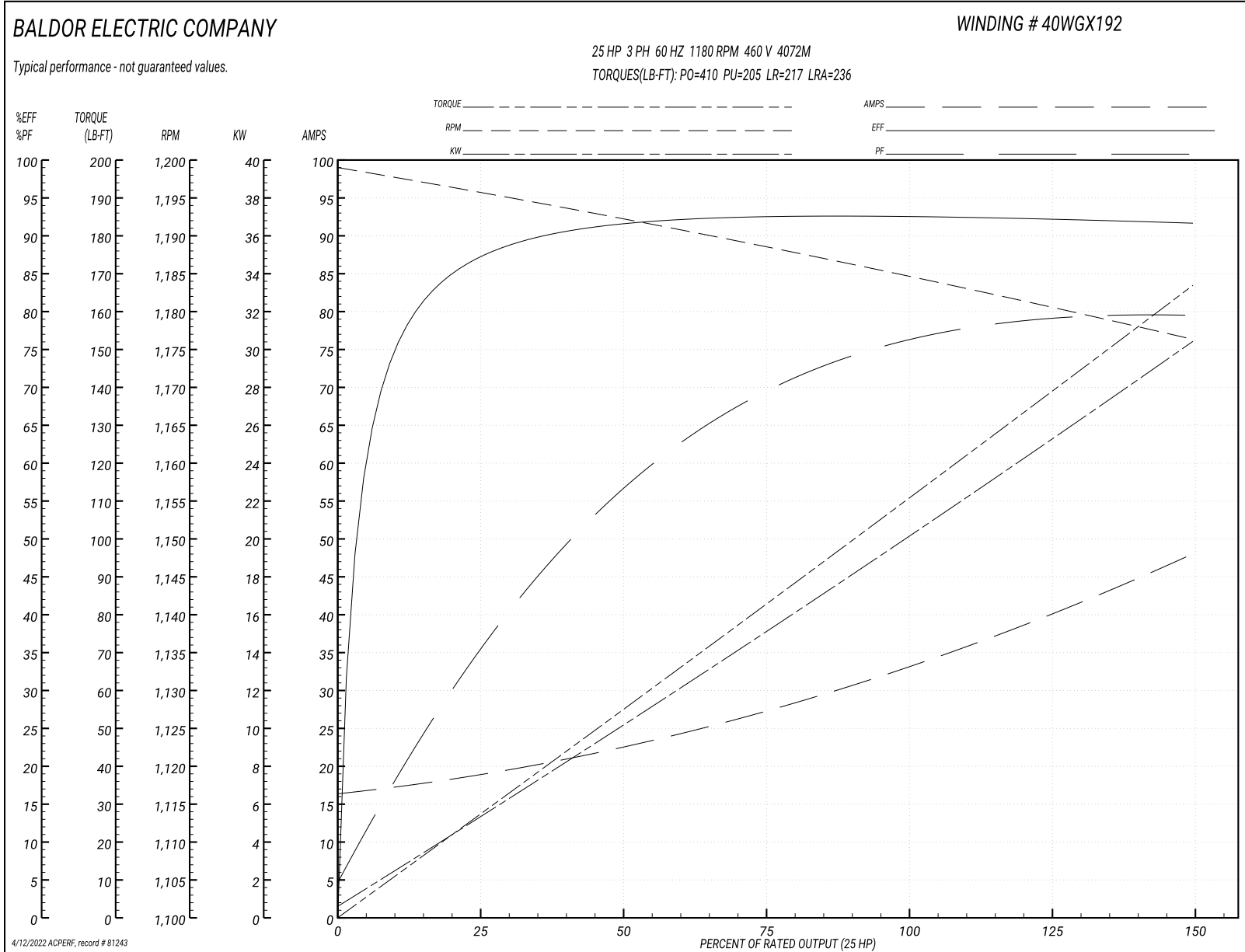
Typical performance - not guaranteed values

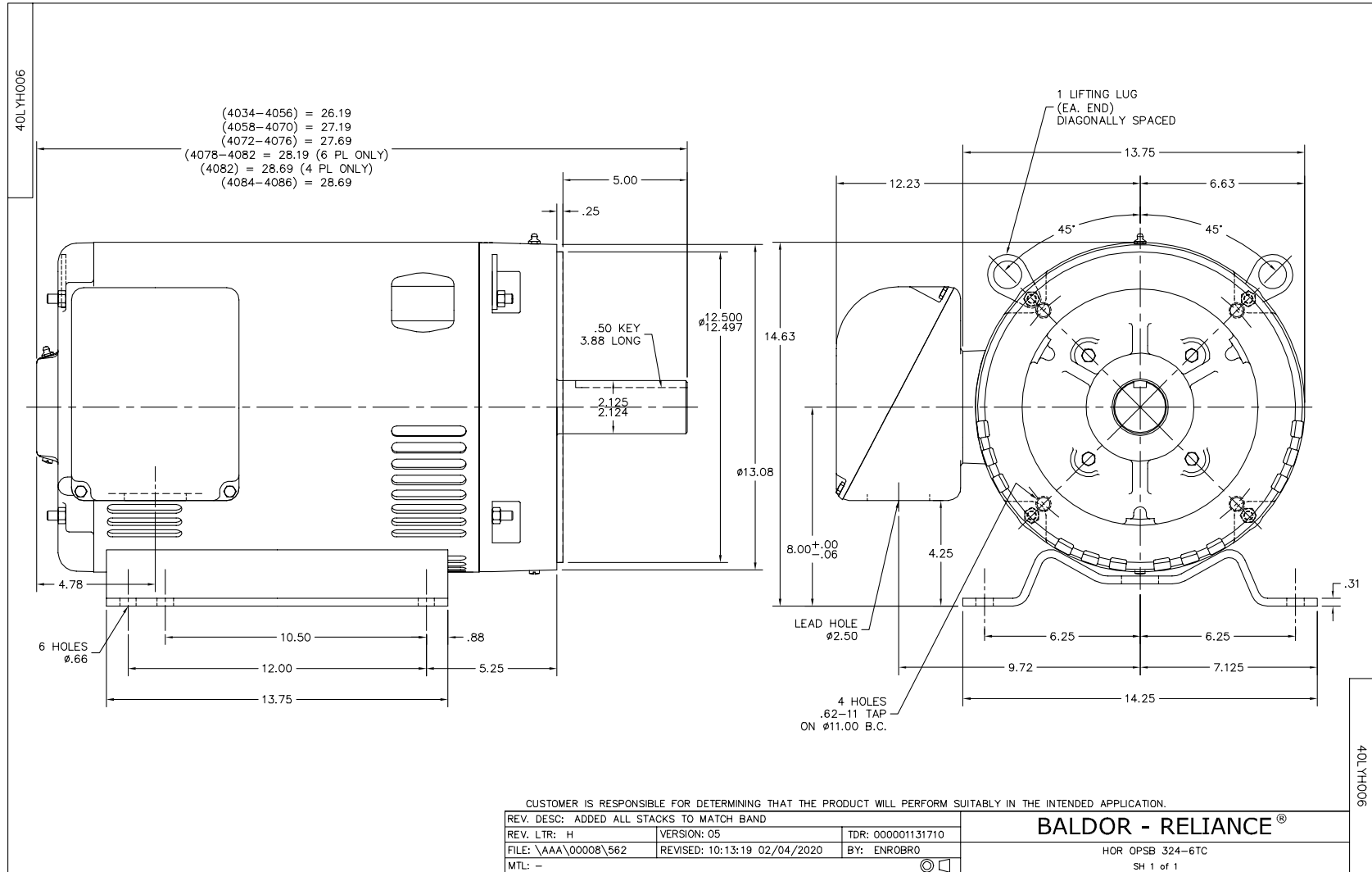
Winding: 40WGX192-R001		Type: 4072M		Enclosure: OPSB	
Nameplate Data			460 V, 60 Hz: High Voltage Connection		
Rated Output (HP)	25	Full Load Torque	111 LB-FT		
Volts	230/460	Start Configuration	direct on line		
Full Load Amps	68/34	Breakdown Torque	410 LB-FT		
R.P.M.	1180	Pull-up Torque	205 LB-FT		
Hz	60 Phase	3	Locked-rotor Torque	217 LB-FT	
NEMA Design Code	A KVA Code	J	Starting Current	236 A	
Service Factor (S.F.)	1.15		No-load Current	16.7 A	
NEMA Nom. Eff.	93 Power Factor	76	Line-line Res. @ 25°C	0.312 Ω	
Rating - Duty	40C AMB-CONT		Temp. Rise @ Rated Load	40°C	
S.F. Amps			Temp. Rise @ S.F. Load	48°C	
			Locked-rotor Power Factor	30.9	
			Rotor inertia	8.82 lb-ft ²	

Load Characteristics 460 V, 60 Hz, 25 HP

% of Rated Load	25	50	75	100	125	150	S.F.
Power Factor	36	57	70	76	79	80	78
Efficiency	87	91.2	92.4	92.7	92.3	91.5	92.5
Speed	1196	1192	1188	1185	1181	1176	1183
Line amperes	18.5	22.3	27.4	33.5	40.3	47.8	37.6

Performance Graph at 460V, 60Hz, 25.0HP Typical performance - Not guaranteed values

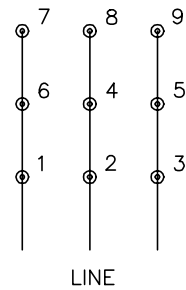




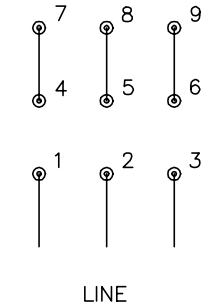
CD0180



LOW VOLTAGE
(2D)



HIGH VOLTAGE
(1D)



NOTES:

1. INTERCHANGE ANY TWO LINE LEADS TO REVERSE ROTATION.
2. OPTIONAL THERMOSTATS ARE PROVIDED WHEN SPECIFIED.
3. ACTUAL NUMBER OF INTERNAL PARALLEL CIRCUITS MAY BE A MULTIPLE OF THOSE SHOWN ABOVE.
4. LEAD COLORS ARE OPTIONAL. LEADS MUST ALWAYS BE NUMBERED AS SHOWN.

CD0180

REV. DESC: ADD CLASS CONN00000007		
REV. LTR: D	VERSION: 01	TDR: 000001099922
FILE: \AAA\00005\148	REVISED: 10:25:29 02/19/2019	BY: ENBRIRO
MTL: -	© □	

BALDOR - RELIANCE®

3PH, DV, 9 LEADS, DELTA CONNECTION

SH 1 of 1

Marketing maintained PDF of MN416:

<http://www.baldor.com/support/Literature/Load.ashx/MN416?ManNumber=MN416>