

BALDOR® • RELIANCE 

Product Information Packet

CEM2536T-G

30HP, 1180RPM, 3PH, 60HZ, 326TC, OPSB, F1

Part Detail							
Revision:	A	Status:	PRD/A	Change #:		Proprietary:	No
Type:	AC	Elec. Spec:	40WG122	CD Diagram:	CD0005	Mfg Plant:	
Mech. Spec:		Layout:	40LY-000-045	Poles:	06	Created Date:	09-17-2020
Base:		Eff. Date:	11-11-2021	Leads:	9#10		

Specs			
Catalog Number:	CEM2536T-G	Heater Indicator:	No Heater
Enclosure:	OPSB	Insulation Class:	H
Frame:	326TC	Inverter Code:	Inverter Ready
Frame Material:	Steel	IP Rating:	NONE
Output @ Frequency:	30.000 HP @ 60 HZ	KVA Code:	H
Synchronous Speed @ Frequency:	1200 RPM @ 60 HZ	Lifting Lugs:	Standard Lifting Lugs
Voltage @ Frequency:	230.0 V @ 60 HZ	Locked Bearing Indicator:	Locked Bearing
	460.0 V @ 60 HZ	Motor Lead Termination:	Flying Leads
Agency Approvals:	CSA	Motor Type:	4084M
	CSA EEV	Mounting Arrangement:	F1
	UR	Power Factor:	77
Auxillary Box:	No Auxillary Box	Product Family:	General Purpose
Auxillary Box Lead Termination:	None	Pulley Face Code:	C-Face
Base Indicator:	Rigid	Rodent Screen:	None
Bearing Grease Type:	Polyrex EM (-20F +300F)	Shaft Ground Indicator:	Shaft Grounding
Blower:	None	Shaft Rotation:	Reversible
Current @ Voltage:	39.000 A @ 460.0 V	Speed Code:	Single Speed
	78.000 A @ 230.0 V	Motor Standards:	NEMA

Design Code:	A	Starting Method:	Direct on line
Drip Cover:	No Drip Cover	Thermal Device - Bearing:	None
Duty Rating:	CONT	Thermal Device - Winding:	None
Electrically Isolated Bearing:	Not Electrically Isolated	Vibration Sensor Indicator:	No Vibration Sensor
Feedback Device:	NO FEEDBACK	Winding Thermal 1:	None
		Winding Thermal 2:	None

Nameplate NP3554LUA											
CAT.NO.	CEM2536T-G			P/N				ENCL	OPSB		
SPEC.	40-0000-0172		CC	010A		FRAME	326TC		SER.NO.		
HP	30		CLASS	H		HZ	60				
RPM	1180		PH	3		DES	A				
VOLTS	230/460			CODE	H		ODE BRG	6309		DE BRG	6312
AMPS	78/39			USABLE AT 208V	82						
RATING	40C AMB-CONT			NEMA-NOM-EFF	93.6		GREASE	POLYREX EM			
PF	77		SER.F.	1.15		CT30-60(2:1) VT3-60(20:1)					
USABLE AT	50HZ 30HP 190/380V 88/44A				SF1.0						
HTR-VOLTS			HTR-AMPS			MAX. SPACE HEATER TEMP.					

Parts List		
Part Number	Description	Quantity
SA386797	SA 40-0000-0172	1.000 EA
RA377104	RA 40-0000-0172	1.000 EA
LB1115N	LABEL,LIFTING DEVICE (ON ROLLS)	1.000 EA
LC0005E01	CONN.DIA./WARNING LABEL (LC0005/LB1119N)	1.000 EA
NP3554LUA	SS SUPER-E VPWM INV READY UL CSA-EEV PRE	1.000 EA
85XU0407S04	4X1/4 U DRIVE PIN STAINLESS	4.000 EA
MN416A01	TAG-INSTAL-MAINT no wire (2100/bx) 4/22	1.000 EA
HA6361A01	LIFTING LUG FOR 37, 39 & 40 FRAME ZINC	2.000 EA
MJ1000A02	GREASE, MOBIL POLYREX EM - 124047	0.130 LB
HA3154A12	THRUBOLT STUD 3/8-16 X 21.00	4.000 EA
HW1001A38	LOCKWASHER 3/8, ZINC PLT .688 OD, .382 I	8.000 EA
XY3816A12	3/8-16 FINISHED NUT	8.000 EA
40EP3200A02	STD FREP OPEN 309 BRG	1.000 EA
HW5100A11	W3917-042 WVY WSHR (WB)	1.000 EA
HA4051A00	PLASTIC CAP FOR GREASE FITTING	1.000 EA
HW4500A03	GREASE FITTING, .125 NPT 1610(ALEMITE) 8	1.000 EA
HW4500A20	1/8NPT SL PIPE PLUG	1.000 EA
40EP1401A01	PU ENDPLATE, MACH OPEN NEMA 324-6T	1.000 EA
10XN3118K40	5/16-18 X 2.50" HEX HD, GRADE 5	4.000 EA
HW1001A31	LOCKWASHER 5/16, ZINC PLT.591 OD, .319 I	4.000 EA
HA4051A00	PLASTIC CAP FOR GREASE FITTING	1.000 EA
HW4500A03	GREASE FITTING, .125 NPT 1610(ALEMITE) 8	1.000 EA
HW4500A20	1/8NPT SL PIPE PLUG	1.000 EA
10CB3001	CONDUIT BOX CAST W/2.500 LEAD HOLE	1.000 EA

Parts List (continued)		
Part Number	Description	Quantity
10XN3118K12	5/16-18 X .75 GRADE 5, ZINC PLATED	4.000 EA
HW1001A31	LOCKWASHER 5/16, ZINC PLT.591 OD, .319 I	4.000 EA
WD1000B25	GND LUG, BURNDY L125HP OR T&B L125HP-BB	1.000 EA
19XW3118G08	.31-18X.50,HEX WSHR HD,TAPTITE 2,GREEN	1.000 EA
HA6017	CAST ADAPTER, 40,42 KOBX	1.000 EA
19XW3118A12	.31-18 X .75 HEX WASHER HEAD TAPTITE II	2.000 EA
HW1001A31	LOCKWASHER 5/16, ZINC PLT.591 OD, .319 I	2.000 EA
10CB3500SP	CONDUIT BOX LID, CAST	1.000 EA
51XW2520A12	.25-20 X .75, TAPTITE II, HEX WSHR SLTD	4.000 EA
40AD2002A01	LEXAN BAFFLE 40 FR OPEN	1.000 EA
40AD2002A01	LEXAN BAFFLE 40 FR OPEN	1.000 EA
MG1000Y03	MUNSELL 2.53Y 6.70/ 4.60, GLOSS 20,	0.125 GA
42PA1000	PACKAGING GROUP PRINT PK1024A07	1.000 EA
HW2501H33	KEY, 1/2 SQ X 3.875	1.000 EA

AC Induction Motor Performance Data

Record # 66227

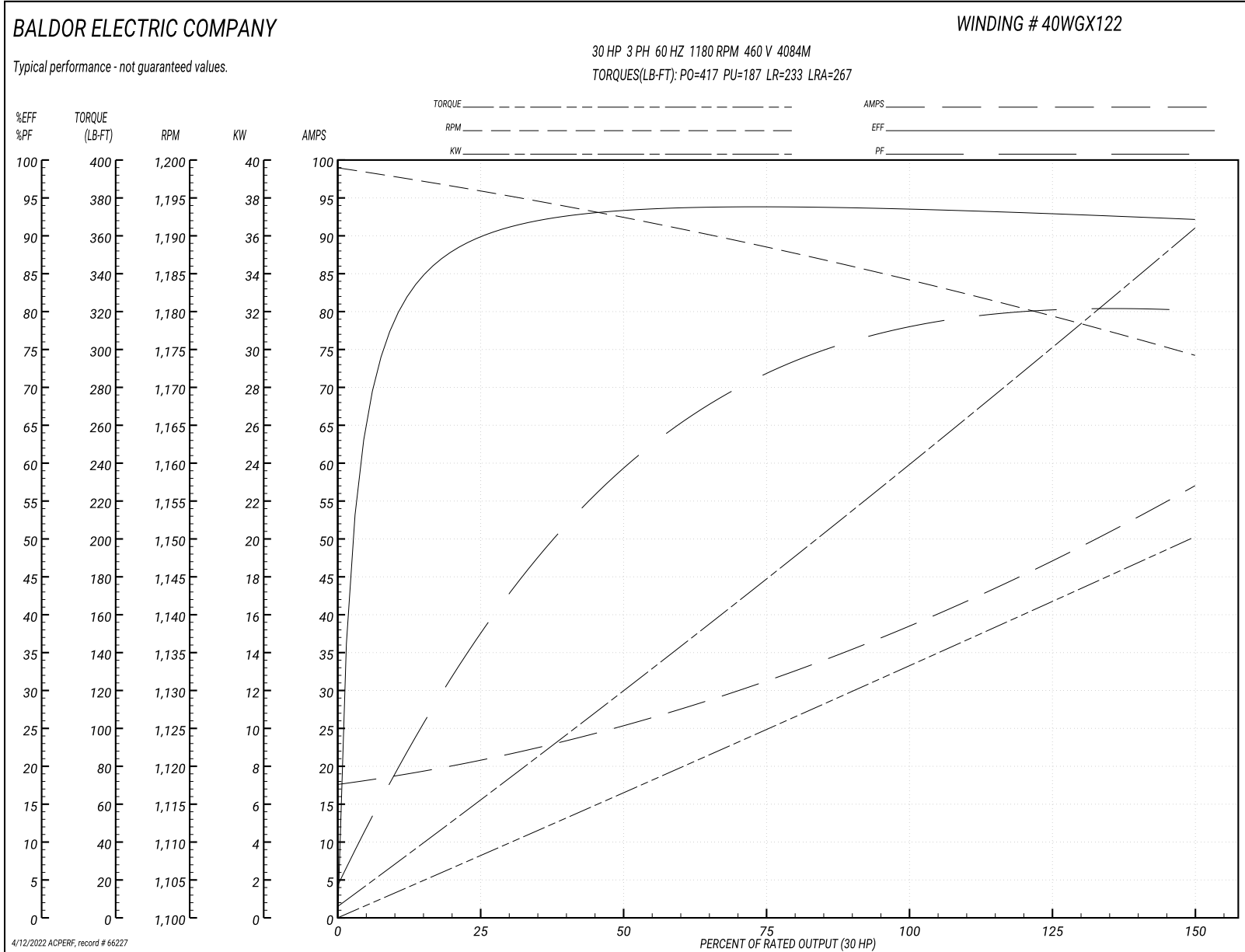
Typical performance - not guaranteed values

Winding: 40WGX122-R002		Type: 4084M		Enclosure: OPSB	
Nameplate Data			460 V, 60 Hz: High Voltage Connection		
Rated Output (HP)	30	Full Load Torque	133.3 LB-FT		
Volts	230/460	Start Configuration	direct on line		
Full Load Amps	78/39	Breakdown Torque	417 LB-FT		
R.P.M.	1180	Pull-up Torque	187 LB-FT		
Hz	60 Phase	3	Locked-rotor Torque	233 LB-FT	
NEMA Design Code	A	KVA Code	H	Starting Current	267 A
Service Factor (S.F.)	1.15	No-load Current	18.1 A		
NEMA Nom. Eff.	93.6	Power Factor	77	Line-line Res. @ 25°C	0.2452 Ω
Rating - Duty	40C AMB-CONT		Temp. Rise @ Rated Load	40°C	
S.F. Amps			Temp. Rise @ S.F. Load	49°C	
			Locked-rotor Power Factor	28.6	

Load Characteristics 460 V, 60 Hz, 30 HP

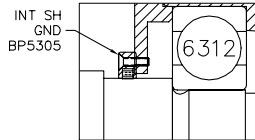
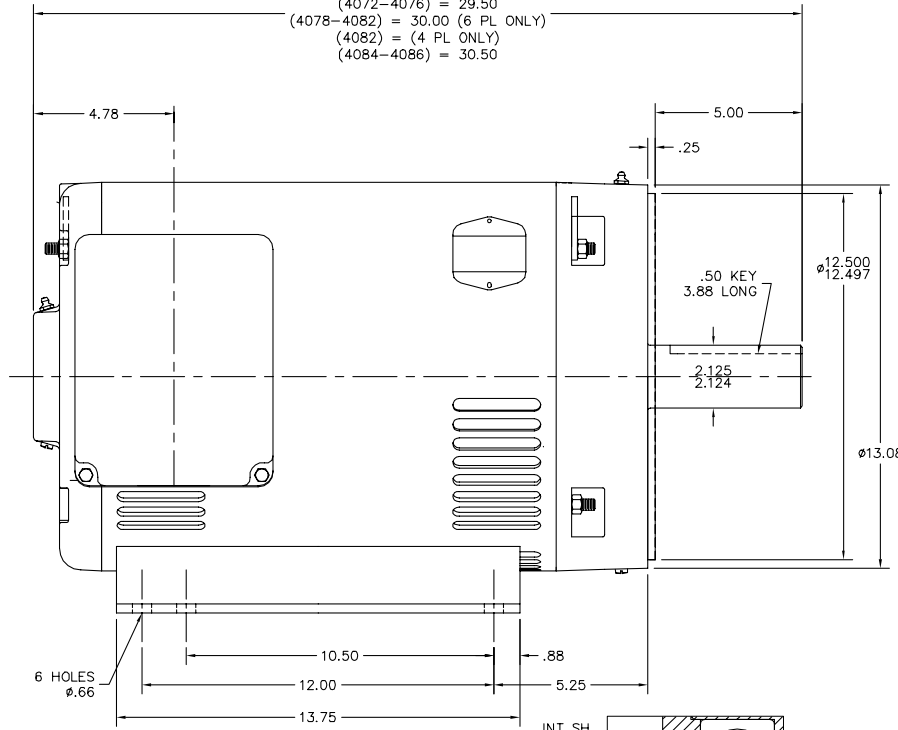
% of Rated Load	25	50	75	100	125	150	S.F.
Power Factor	39	60	72	77	80	81	79
Efficiency	89.6	93.2	93.8	93.6	92.9	92.1	93.2
Speed	1196.1	1192.3	1188.4	1184.2	1179.4	1174.2	1181
Line amperes	20.2	25	31.5	39	47.4	56.7	44

Performance Graph at 460V, 60Hz, 30.0HP Typical performance - Not guaranteed values



40LY-000-045

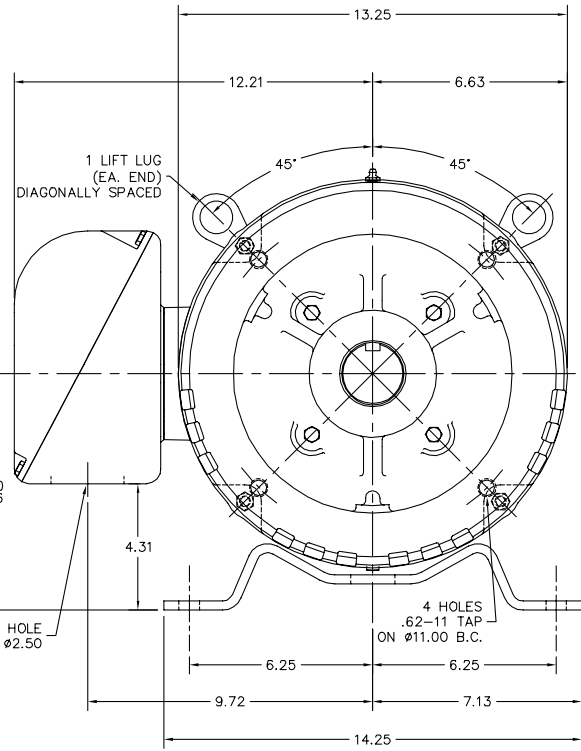
- (4034-4056) = 26.19
- (4057-4070) = 29.00
- (4072-4076) = 29.50
- (4078-4082) = 30.00 (6 PL ONLY)
- (4082) = (4 PL ONLY)
- (4084-4086) = 30.50



PULLEY END SHAFT GROUND DETAIL

CUSTOMER IS RESPONSIBLE FOR DETERMINING THAT THE PRODUCT WILL PERFORM SUITABLY IN THE INTENDED APPLICATION.

REV. DESC: NEW	VERSION: 00	TDR: 000001132107
REV. LTR: -	REVISED: 01: 47: 43 03/04/2020	BY: ENROBRO
FILE: \AAA\00252\796		
MTL: -		



40LY-000-045

BALDOR - RELIANCE[®]
 HORZ OPSB 324-6TC W/AEGIS INT SHAFT GND
 SH 1 of 1

CD0005



LOW VOLTAGE
(2Y)



LINE

HIGH VOLTAGE
(1Y)



LINE

NOTES:

1. INTERCHANGE ANY TWO LINE LEADS TO REVERSE ROTATION.
2. OPTIONAL THERMOSTATS ARE PROVIDED WHEN SPECIFIED.
3. ACTUAL NUMBER OF INTERNAL PARALLEL CIRCUITS MAY BE A MULTIPLE OF THOSE SHOWN ABOVE.
4. LEAD COLORS ARE OPTIONAL. LEADS MUST ALWAYS BE NUMBERED AS SHOWN.

REV. DESC: REVISE TO SHOW OPTIONAL COLORS			
REV. LTR: E	BY: JLP	REVISED: 01/19/99 10:15	TDR: 0171435
90000		FILE: AAA00005140	MDL: -
		MTL: -	

BALDOR ELECTRIC Co.

3PH, DV, 9 LEADS

CD0005

Marketing maintained PDF of MN416:

<http://www.baldor.com/support/Literature/Load.ashx/MN416?ManNumber=MN416>