

BALDOR® • RELIANCE 

Product Information Packet

CEM2538T-G

40HP,3530RPM,3PH,60HZ,286TSC,OPSB,F1

Part Detail							
Revision:	B	Status:	PRD/A	Change #:		Proprietary:	No
Type:	AC	Elec. Spec:	40WGX194	CD Diagram:	CD0180	Mfg Plant:	
Mech. Spec:		Layout:	40LY-000-038	Poles:	02	Created Date:	03-06-2020
Base:		Eff. Date:	04-07-2022	Leads:	9#8		

Specs			
Catalog Number:	CEM2538T-G	Heater Indicator:	No Heater
Enclosure:	OPSB	Insulation Class:	H
Frame:	286TSC	Inverter Code:	Inverter Ready
Frame Material:	Steel	IP Rating:	NONE
Output @ Frequency:	40.000 HP @ 60 HZ	KVA Code:	G
Synchronous Speed @ Frequency:	3600 RPM @ 60 HZ	Lifting Lugs:	Standard Lifting Lugs
Voltage @ Frequency:	230.0 V @ 60 HZ	Locked Bearing Indicator:	Locked Bearing
	460.0 V @ 60 HZ	Motor Lead Termination:	Flying Leads
Agency Approvals:	CSA	Motor Type:	4046M
	CSA EEV	Mounting Arrangement:	F1
	UR	Power Factor:	89
Auxillary Box:	No Auxillary Box	Product Family:	General Purpose
Auxillary Box Lead Termination:	None	Pulley Face Code:	C-Face
Base Indicator:	Rigid	Rodent Screen:	None
Bearing Grease Type:	Polyrex EM (-20F +300F)	Shaft Ground Indicator:	Shaft Grounding
Blower:	None	Shaft Rotation:	Reversible
Current @ Voltage:	46.000 A @ 460.0 V	Speed Code:	Single Speed
	92.000 A @ 230.0 V	Motor Standards:	NEMA

Design Code:	B	Starting Method:	Direct on line
Drip Cover:	No Drip Cover	Thermal Device - Bearing:	None
Duty Rating:	CONT	Thermal Device - Winding:	None
Electrically Isolated Bearing:	Not Electrically Isolated	Vibration Sensor Indicator:	No Vibration Sensor
Feedback Device:	NO FEEDBACK	Winding Thermal 1:	None
		Winding Thermal 2:	None

Nameplate NP3554LUA											
CAT.NO.	CEM2538T-G			P/N				ENCL	OPSB		
SPEC.	40-0000837		CC	010A		FRAME	286TSC		SER.NO.		
HP	40		CLASS	H		HZ	60				
RPM	3530		PH	3		DES	B				
VOLTS	230/460			CODE	G		ODE BRG	6309		DE BRG	6311
AMPS	92/46			USABLE AT 208V	100						
RATING	40C AMB-CONT			NEMA-NOM-EFF	92.4		GREASE	POLYREX EM			
PF	89		SER.F.	1.15		CT30-60(2:1)		VT3-60(20:1)			
USABLE AT	50HZ 40HP 190/380V 112/56A				SF1.0						
HTR-VOLTS			HTR-AMPS			MAX. SPACE HEATER TEMP.					

Parts List		
Part Number	Description	Quantity
SA379767	SA 40-0000837	1.000 EA
RA369789	RA 40-0000837	1.000 EA
LB1115N	LABEL,LIFTING DEVICE (ON ROLLS)	1.000 EA
LB1119N	WARNING LABEL	1.000 EA
LC0181	CONNECTION LABEL	1.000 EA
NP3554LUA	SS SUPER-E VPWM INV READY UL CSA-EEV PRE	1.000 EA
85XU0407S04	4X1/4 U DRIVE PIN STAINLESS	4.000 EA
MN416A01	TAG-INSTAL-MAINT no wire (2100/bx) 4/22	1.000 EA
HA6361A01	LIFTING LUG FOR 37, 39 & 40 FRAME ZINC	2.000 EA
MJ1000A02	GREASE, MOBIL POLYREX EM - 124047	0.130 LB
HA3154A03	STUD, 3/8-16 X 17.75	4.000 EA
HW1001A38	LOCKWASHER 3/8, ZINC PLT .688 OD, .382 I	8.000 EA
XY3816A12	3/8-16 FINISHED NUT	8.000 EA
40EP3200A02	STD FREP OPEN 309 BRG	1.000 EA
HW5100A11	W3917-042 WVY WSHR (WB)	1.000 EA
HA4051A00	PLASTIC CAP FOR GREASE FITTING	1.000 EA
HW4500A03	GREASE FITTING, .125 NPT 1610(ALEMITE) 8	1.000 EA
HW4500A20	1/8NPT SL PIPE PLUG	1.000 EA
40EP1400A13	PU ENDPLATE, CFACE MACH W/O BAFFEL	1.000 EA
10XN3118K40	5/16-18 X 2.25" HEX HD, GRADE 5	4.000 EA
HW1001A31	LOCKWASHER 5/16, ZINC PLT.591 OD, .319 I	4.000 EA
HA4051A00	PLASTIC CAP FOR GREASE FITTING	1.000 EA
HW4500A03	GREASE FITTING, .125 NPT 1610(ALEMITE) 8	1.000 EA
HW4500A20	1/8NPT SL PIPE PLUG	1.000 EA

Parts List (continued)		
Part Number	Description	Quantity
10CB3000	CONDUIT BOX, MACH W/2.00 LEAD HOLE	1.000 EA
19XW3118A12	.31-18 X .75 HEX WASHER HEAD TAPTITE II	2.000 EA
HW1001A31	LOCKWASHER 5/16, ZINC PLT.591 OD, .319 I	2.000 EA
WD1000B25	GND LUG, BURNDY L125HP OR T&B L125HP-BB	1.000 EA
19XW3118G08	.31-18X.50,HEX WSHR HD,TAPTITE 2,GREEN	1.000 EA
HA6017	CAST ADAPTER, 40,42 KOBX	1.000 EA
19XW3118A12	.31-18 X .75 HEX WASHER HEAD TAPTITE II	2.000 EA
HW1001A31	LOCKWASHER 5/16, ZINC PLT.591 OD, .319 I	2.000 EA
10CB3500SP	CONDUIT BOX LID, CAST	1.000 EA
51XW2520A12	.25-20 X .75, TAPTITE II, HEX WSHR SLTD	4.000 EA
40AD2002B01	LEXAN BAFFLE 40 FR OPEN	1.000 EA
40AD2002B01	LEXAN BAFFLE 40 FR OPEN	1.000 EA
MG1000Y03	MUNSELL 2.53Y 6.70/ 4.60, GLOSS 20,	0.125 GA
40PA1000	PACKAGING GROUP	1.000 EA
HW2501G17	KEY, 3/8 SQ X 1.875	1.000 EA

AC Induction Motor Performance Data

Record # 53043

Typical performance - not guaranteed values

Winding: 40WGX194-R006		Type: 4046M		Enclosure: OPSB	
Nameplate Data			460 V, 60 Hz: High Voltage Connection		
Rated Output (HP)	40	Full Load Torque	59.6 LB-FT		
Volts	230/460	Start Configuration	direct on line		
Full Load Amps	92/46	Breakdown Torque	207 LB-FT		
R.P.M.	3530	Pull-up Torque	74.8 LB-FT		
Hz	60 Phase	3	Locked-rotor Torque	103 LB-FT	
NEMA Design Code	B KVA Code	G	Starting Current	282 A	
Service Factor (S.F.)	1.15	No-load Current	11.7 A		
NEMA Nom. Eff.	92.4	Power Factor	89	Line-line Res. @ 25°C	0.1848 Ω
Rating - Duty	40C	AMB-CONT	Temp. Rise @ Rated Load	35°C	
S.F. Amps			Temp. Rise @ S.F. Load	44°C	
			Locked-rotor Power Factor	24	
			Rotor inertia	1.97 LB-FT ²	

Load Characteristics 460 V, 60 Hz, 40 HP

% of Rated Load	25	50	75	100	125	150	S.F.
Power Factor	66	82	88	89	90	90	90
Efficiency	91.4	93.7	93.7	93	92	90.7	92.4
Speed	3580.7	3565.4	3547.1	3527.4	3504.7	3481	3514
Line amperes	16.4	24.9	34.7	45.9	57	69.7	52.6

Performance Graph at 460V, 60Hz, 40.0HP Typical performance - Not guaranteed values

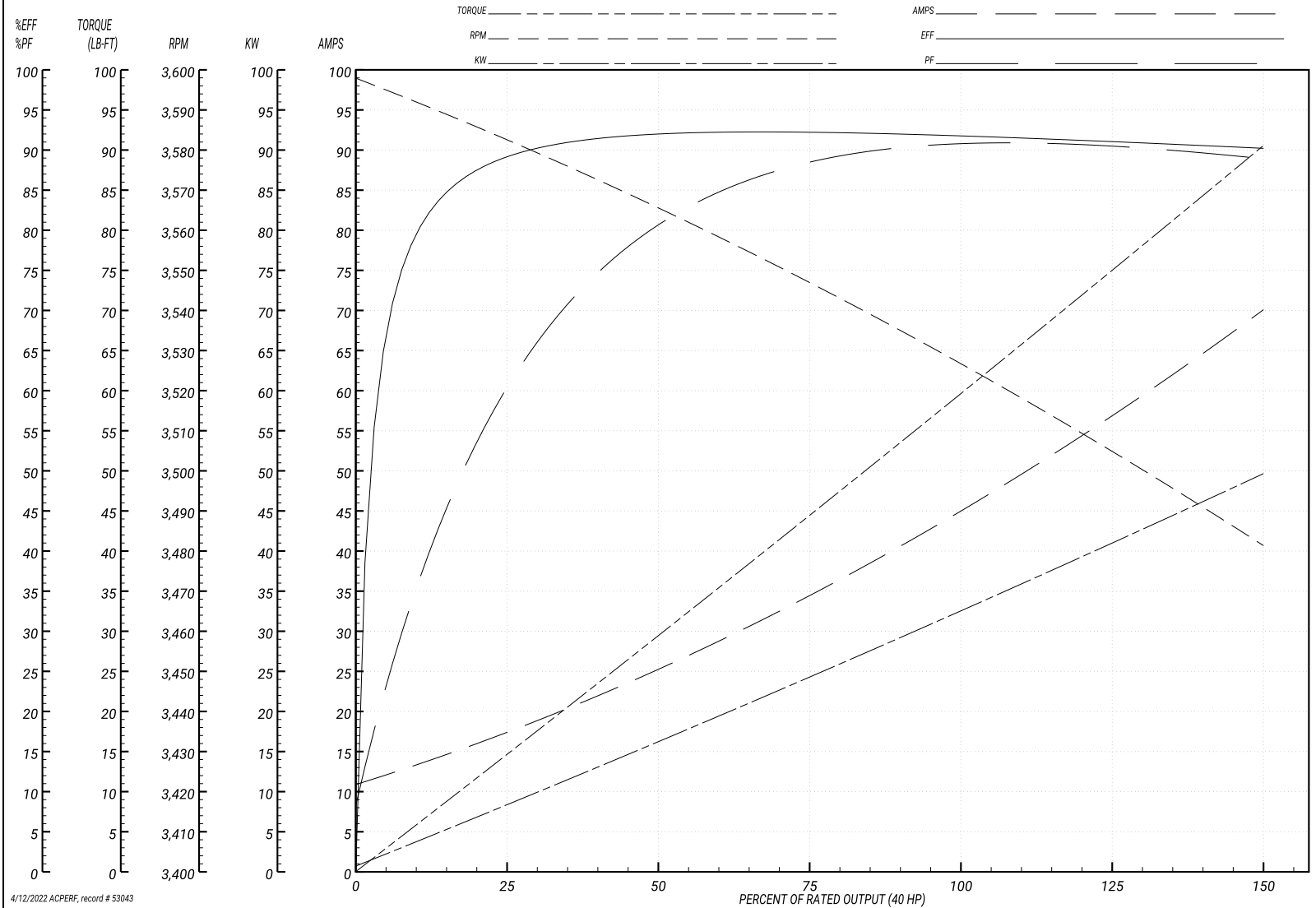
BALDOR ELECTRIC COMPANY

WINDING # 40WGX194

Typical performance - not guaranteed values.

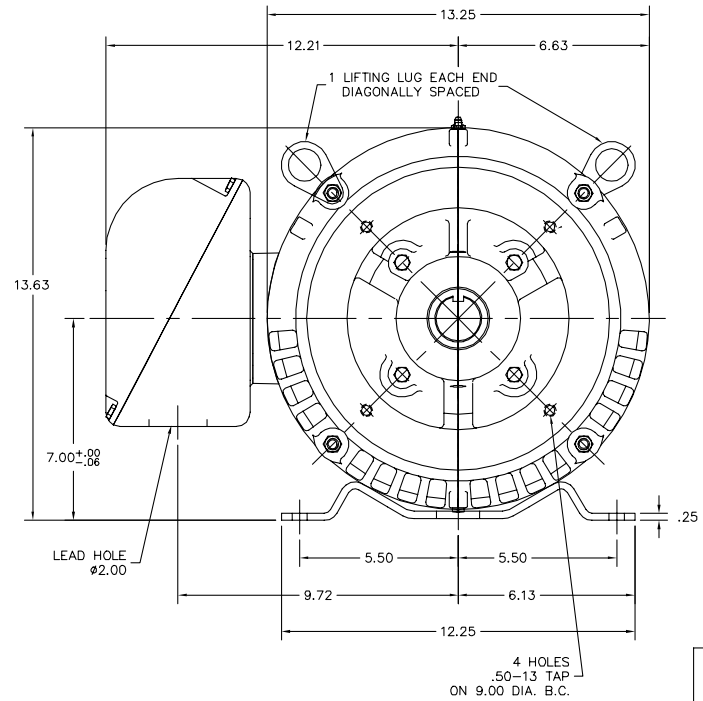
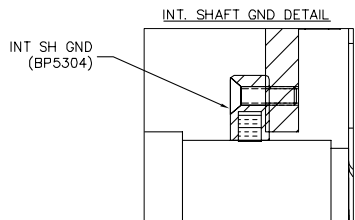
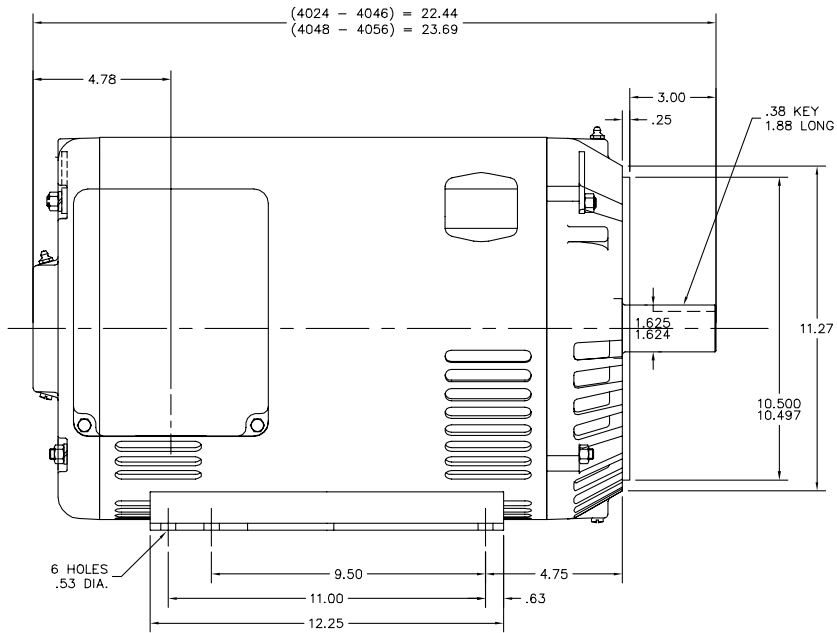
40 HP 3 PH 60 HZ 3530 RPM 460 V 4046M

TORQUES(LB-FT): PO=207 PU=74.8 LR=103 LRA=282



4/12/2022 ACPERF, record # 53043

40LY-000-038



40LY-000-038

CUSTOMER IS RESPONSIBLE FOR DETERMINING THAT BALDOR'S PRODUCT WILL PERFORM SUITABLY IN THE INTENDED APPLICATION.

REV. DESC: NEW	VERSION: 00	TDR: 000001126669
REV. LTR: -	REVISED: 02:04:11 12/09/2019	BY: ENBRIRO
FILE: \AAA\00251\872		
MTL: -		

BALDOR - RELIANCE®

HORZ OPSB 284-6TSC W/INT SH GND
SH 1 of 1

CD0180



LOW VOLTAGE
(2D)



HIGH VOLTAGE
(1D)



NOTES:

1. INTERCHANGE ANY TWO LINE LEADS TO REVERSE ROTATION.
2. OPTIONAL THERMOSTATS ARE PROVIDED WHEN SPECIFIED.
3. ACTUAL NUMBER OF INTERNAL PARALLEL CIRCUITS MAY BE A MULTIPLE OF THOSE SHOWN ABOVE.
4. LEAD COLORS ARE OPTIONAL. LEADS MUST ALWAYS BE NUMBERED AS SHOWN.

CD0180

REV. DESC: ADD CLASS CONN00000007		
REV. LTR: D	VERSION: 01	TDR: 000001099922
FILE: \AAA\00005\148	REVISED: 10:25:29 02/19/2019	BY: ENBRIRO
MTL: -	© □	

BALDOR - RELIANCE®

3PH, DV, 9 LEADS, DELTA CONNECTION

SH 1 of 1

Marketing maintained PDF of MN416:

<http://www.baldor.com/support/Literature/Load.ashx/MN416?ManNumber=MN416>