

**BALDOR® • RELIANCE** 

**Product Information Packet**

**CEM2546T**

**60HP,3540RPM,3PH,60HZ,326TSC,OPSB,F1**

Part Detail							
Revision:	-	Status:	PRD/A	Change #:		Proprietary:	No
Type:	AC	Elec. Spec:	42WGW410	CD Diagram:	CD0180	Mfg Plant:	
Mech. Spec:		Layout:	42LYF069	Poles:	02	Created Date:	03-06-2020
Base:		Eff. Date:	03-11-2020	Leads:	9#6		

Specs			
Catalog Number:	CEM2546T	Heater Indicator:	No Heater
Enclosure:	OPSB	Insulation Class:	F
Frame:	326TSC	Inverter Code:	Inverter Ready
Frame Material:	Steel	IP Rating:	NONE
Output @ Frequency:	60.000 HP @ 60 HZ	KVA Code:	G
Synchronous Speed @ Frequency:	3600 RPM @ 60 HZ	Lifting Lugs:	Standard Lifting Lugs
Voltage @ Frequency:	230.0 V @ 60 HZ	Locked Bearing Indicator:	Locked Bearing
	460.0 V @ 60 HZ	Motor Lead Termination:	Flying Leads
Agency Approvals:	CSA	Motor Type:	4250M
	CSA EEV	Mounting Arrangement:	F1
	UR	Power Factor:	89
Auxillary Box:	No Auxillary Box	Product Family:	General Purpose
Auxillary Box Lead Termination:	None	Pulley Face Code:	C-Face
Base Indicator:	Rigid	Rodent Screen:	None
Bearing Grease Type:	Polyrex EM (-20F +300F)	Shaft Ground Indicator:	No Shaft Grounding
Blower:	None	Shaft Rotation:	Reversible
Current @ Voltage:	136.000 A @ 230.0 V	Speed Code:	Single Speed
	68.000 A @ 460.0 V	Motor Standards:	NEMA

<b>Design Code:</b>	A	<b>Starting Method:</b>	Direct on line
<b>Drip Cover:</b>	No Drip Cover	<b>Thermal Device - Bearing:</b>	None
<b>Duty Rating:</b>	CONT	<b>Thermal Device - Winding:</b>	None
<b>Electrically Isolated Bearing:</b>	Not Electrically Isolated	<b>Vibration Sensor Indicator:</b>	No Vibration Sensor
<b>Feedback Device:</b>	NO FEEDBACK	<b>Winding Thermal 1:</b>	None
		<b>Winding Thermal 2:</b>	None

Nameplate NP2138L										
CAT.NO.	CEM2546T			P/N				ENCLOSURE	OPSB	
SPEC.	42-0000-0074		CC	010A	FRAME	326TSC		S/N		
HP	60			CLASS	F	HZ	60			
RPM	3540		PH	3	DES	A				
VOLT	230/460				KVA-CODE	G		ODE BRG	6311	
AMP	136/68			USABLE AT 208V				DE BRG	6312	
RATING	40C AMB-CONT			GREASE	POLYREX EM					
NEMA-NOM-EFF	93.6	PF	89	SER.F.	1.15					
HTR-VOLTS			HTR-AMPS							

Parts List		
Part Number	Description	Quantity
SA379771	SA 42-0000-0074	1.000 EA
RA369794	RA 42-0000-0074	1.000 EA
LB1115N	LABEL,LIFTING DEVICE (ON ROLLS)	1.000 EA
LB1119N	WARNING LABEL	1.000 EA
LC0181	CONNECTION LABEL	1.000 EA
NP2138L	ALUM SUPER-E UL CSA-EEV PREM CC (300	1.000 EA
85XU0407S04	4X1/4 U DRIVE PIN STAINLESS	4.000 EA
MN416A01	TAG-INSTAL-MAINT no wire (2100/bx) 4/22	1.000 EA
HA6360	LIFTING LUG FOR 42 FRAME MOTORS.	2.000 EA
MJ1000A02	GREASE, MOBIL POLYREX EM - 124047	0.200 LB
HA3151A02	THRUBOLT STUD 1/2-13 X 19.25	4.000 EA
HW1001A50	LOCKWASHER 1/2, ZINC PLT.,.879 OD, .509 I	8.000 EA
XY5013A12	NUT,1/2-13,HEX,STEEL,ZINCPLATED	8.000 EA
42EP3200A01	FR ENDPLATE, MACH	1.000 EA
HW5100A13	W4627-047 WVY WSHER	1.000 EA
HA4051A00	PLASTIC CAP FOR GREASE FITTING	1.000 EA
HW4500A03	GREASE FITTING, .125 NPT 1610(ALEMITE) 8	1.000 EA
HW4500A20	1/8NPT SL PIPE PLUG	1.000 EA
42EP1300A20	PU ENDPLATE, MACH	1.000 EA
HA1005A06	SLINGER, OD 3.62, ID 2.15	1.000 EA
10XN3118K40	5/16-18 X 2.50" HEX HD, GRADE 5	4.000 EA
HW1001A31	LOCKWASHER 5/16, ZINC PLT.591 OD, .319 I	4.000 EA
HA4051A00	PLASTIC CAP FOR GREASE FITTING	1.000 EA
HW4500A03	GREASE FITTING, .125 NPT 1610(ALEMITE) 8	1.000 EA

Parts List (continued)		
Part Number	Description	Quantity
HW4500A20	1/8NPT SL PIPE PLUG	1.000 EA
10CB3001A31	KOBX, MACH W/2.50 LD HL, .38-16 GND	1.000 EA
19XW3118A12	.31-18 X .75 HEX WASHER HEAD TAPTITE II	4.000 EA
HW1001A31	LOCKWASHER 5/16, ZINC PLT.591 OD, .319 I	4.000 EA
WD1000B19	TERMINAL BURNDY L250HP	1.000 EA
10XN3816K08	3/8-16 X .50 HEX HD CAP SCREW GRADE 5	1.000 EA
HW1001A38	LOCKWASHER 3/8, ZINC PLT .688 OD, .382 I	1.000 EA
HA6017	CAST ADAPTER, 40,42 KOBX	1.000 EA
19XW3118A12	.31-18 X .75 HEX WASHER HEAD TAPTITE II	2.000 EA
HW1001A31	LOCKWASHER 5/16, ZINC PLT.591 OD, .319 I	2.000 EA
10CB3500SP	CONDUIT BOX LID, CAST	1.000 EA
51XW2520A12	.25-20 X .75, TAPTITE II, HEX WSHR SLTD	4.000 EA
42AD2001C01	BAFFLE PLATE 42 OPEN, SLOTTED BAND MTRS	1.000 EA
42AD2001C01	BAFFLE PLATE 42 OPEN, SLOTTED BAND MTRS	1.000 EA
MG1000Y03	MUNSELL 2.53Y 6.70/ 4.60, GLOSS 20,	0.125 GA
40PA1000	PACKAGING GROUP	1.000 EA
HW2501H18	KEY, 1/2 SQ X 2.000	1.000 EA

**AC Induction Motor Performance Data**

Record # 33331

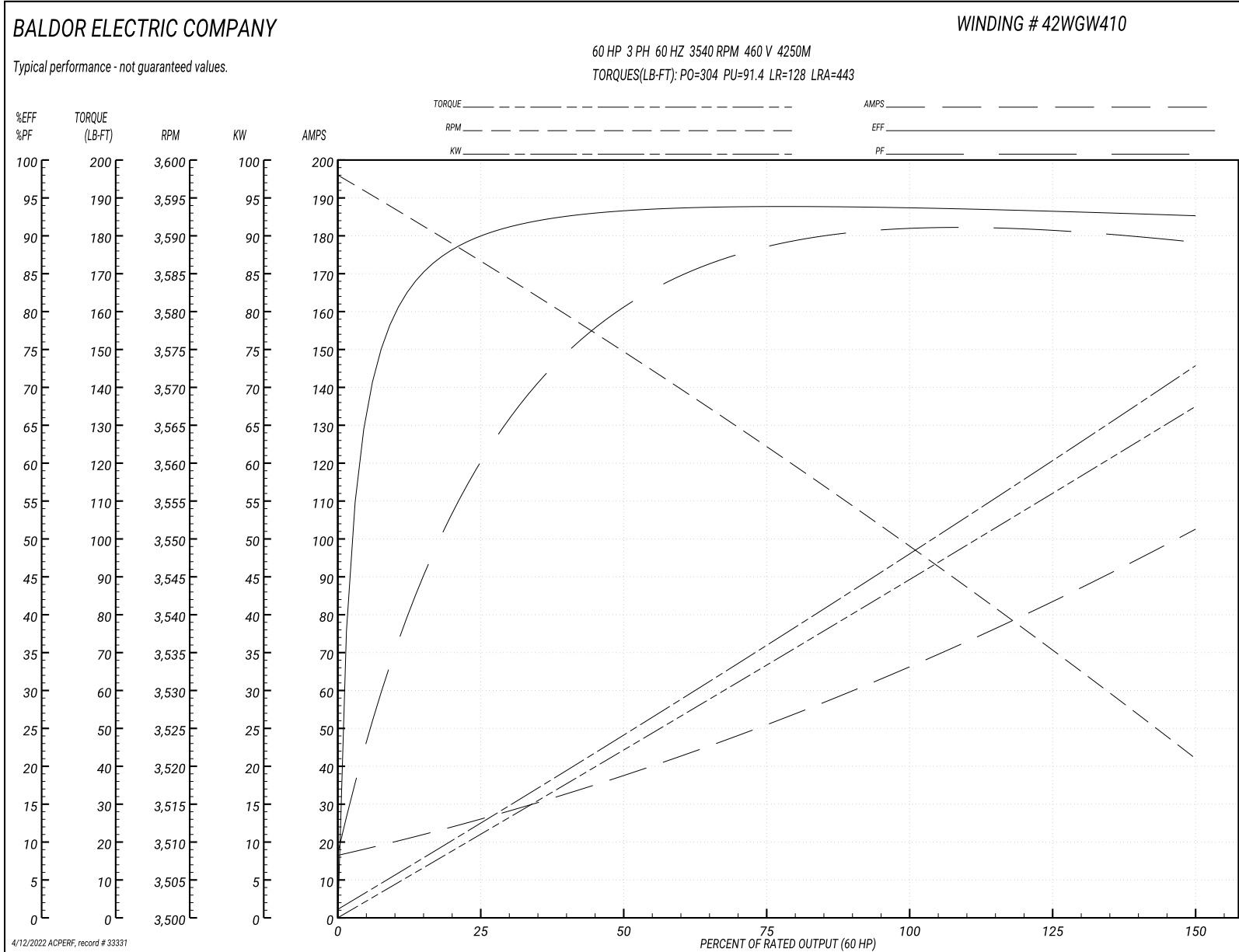
Typical performance - not guaranteed values

<b>Winding:</b> 42WG410-R001		<b>Type:</b> 4250M		<b>Enclosure:</b> OPSB	
<b>Nameplate Data</b>			<b>460 V, 60 Hz: High Voltage Connection</b>		
<b>Rated Output (HP)</b>	60	<b>Full Load Torque</b>	88.9 LB-FT		
<b>Volts</b>	230/460	<b>Start Configuration</b>	direct on line		
<b>Full Load Amps</b>	136/68	<b>Breakdown Torque</b>	304 LB-FT		
<b>R.P.M.</b>	3540	<b>Pull-up Torque</b>	91.4 LB-FT		
<b>Hz</b>	60 <b>Phase</b>	3	<b>Locked-rotor Torque</b>	128 LB-FT	
<b>NEMA Design Code</b>	<b>A KVA Code</b>	G	<b>Starting Current</b>	443 A	
<b>Service Factor (S.F.)</b>	1.15		<b>No-load Current</b>	17.7 A	
<b>NEMA Nom. Eff.</b>	93.6 <b>Power Factor</b>	89	<b>Line-line Res. @ 25°C</b>	0.09668 Ω	
<b>Rating - Duty</b>	40C AMB-CONT		<b>Temp. Rise @ Rated Load</b>	35°C	
<b>S.F. Amps</b>			<b>Temp. Rise @ S.F. Load</b>	43°C	

**Load Characteristics 460 V, 60 Hz, 60 HP**

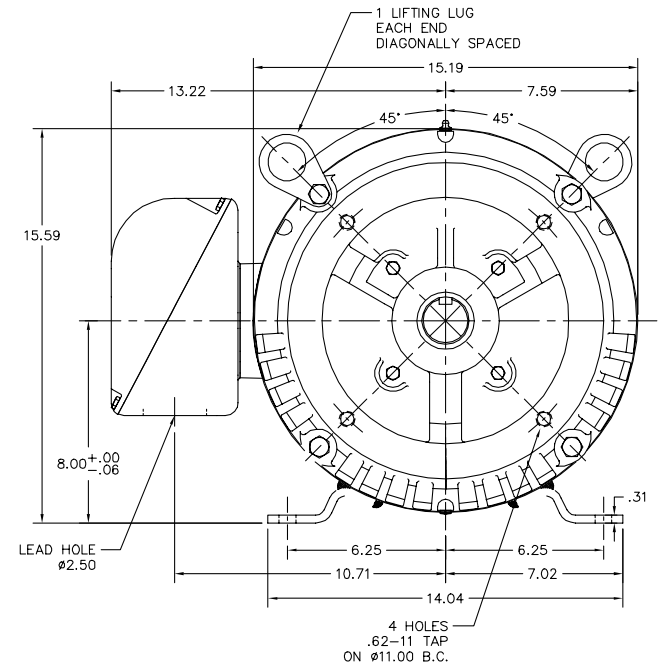
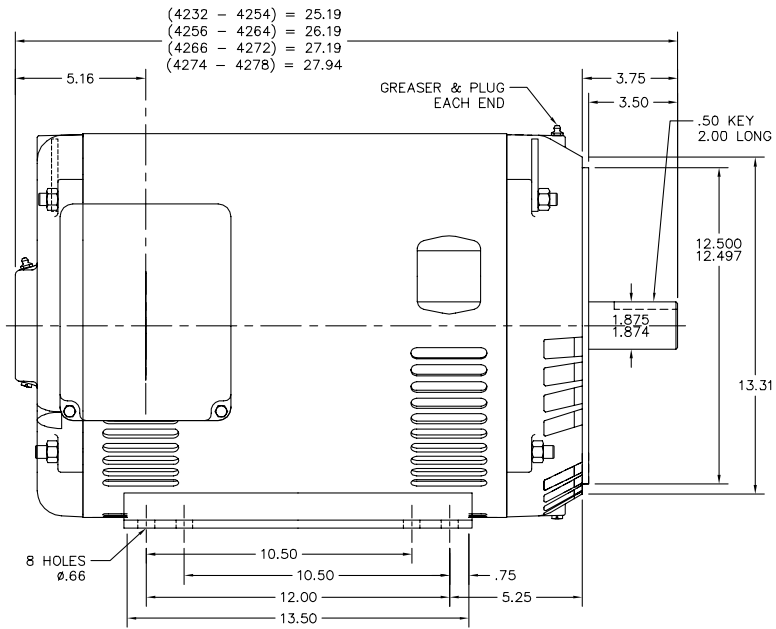
<b>% of Rated Load</b>	<b>25</b>	<b>50</b>	<b>75</b>	<b>100</b>	<b>125</b>	<b>150</b>	<b>S.F.</b>
<b>Power Factor</b>	65	82	88	90	90	89	90
<b>Efficiency</b>	90.7	93.7	94.2	93.9	93.3	92.5	93.5
<b>Speed</b>	3585.3	3574.5	3562.4	3549.9	3535.7	3520.5	3541
<b>Line amperes</b>	24.4	36.9	51.5	66.9	83.7	102	77

Performance Graph at 460V, 60Hz, 60.0HP Typical performance - Not guaranteed values





42LYF069



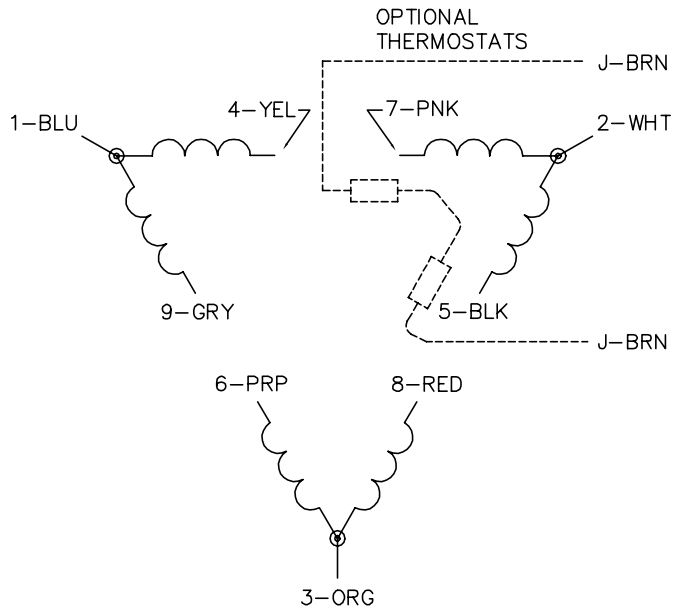
42LYF069

CUSTOMER IS RESPONSIBLE FOR DETERMINING THAT BALDOR'S PRODUCT WILL PERFORM SUITABLY IN THE INTENDED APPLICATION.

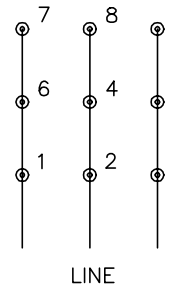
REV. DESC: UPDATED DESCRIPTION		
REV. LTR: H	VERSION: 03	TDR: 000000B55149
FILE: \AAA\00054\938	REVISED: 10:01:51 05/23/2014	BY: ENNINDO
MTL: -		

**BALDOR**  
 HOR OPSB 324-6TSC  
 SH 1 of 1

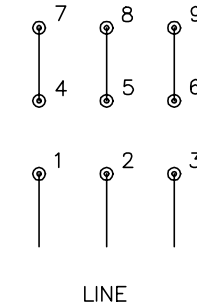
CD0180



LOW VOLTAGE  
(2D)



HIGH VOLTAGE  
(1D)



NOTES:

1. INTERCHANGE ANY TWO LINE LEADS TO REVERSE ROTATION.
2. OPTIONAL THERMOSTATS ARE PROVIDED WHEN SPECIFIED.
3. ACTUAL NUMBER OF INTERNAL PARALLEL CIRCUITS MAY BE A MULTIPLE OF THOSE SHOWN ABOVE.
4. LEAD COLORS ARE OPTIONAL. LEADS MUST ALWAYS BE NUMBERED AS SHOWN.

CD0180

REV. DESC: ADD CLASS CONN00000007		
REV. LTR: D	VERSION: 01	TDR: 000001099922
FILE: \AAA\00005\148	REVISED: 10:25:29 02/19/2019	BY: ENBRIRO
MTL: -	© □	

**BALDOR - RELIANCE®**

3PH, DV, 9 LEADS, DELTA CONNECTION

SH 1 of 1

Marketing maintained PDF of MN416:

<http://www.baldor.com/support/Literature/Load.ashx/MN416?ManNumber=MN416>