

BALDOR® • RELIANCE 

Product Information Packet

CEM2554T-4

125HP,3540RPM,3PH,60HZ,404TSC,4476M,OPSB

Part Detail							
Revision:	-	Status:	PRD/A	Change #:		Proprietary:	No
Type:	AC	Elec. Spec:	44WGW324	CD Diagram:	CD0382	Mfg Plant:	
Mech. Spec:		Layout:	44LYE021	Poles:	02	Created Date:	08-19-2021
Base:		Eff. Date:	08-27-2021	Leads:	6#6		

Specs			
Catalog Number:	CEM2554T-4	Insulation Class:	F
Enclosure:	OPSB	Inverter Code:	Not Inverter
Frame:	404TSC	IP Rating:	NONE
Frame Material:	Steel	KVA Code:	G
Output @ Frequency:	125.000 HP @ 60 HZ	Lifting Lugs:	Standard Lifting Lugs
Synchronous Speed @ Frequency:	3600 RPM @ 60 HZ	Locked Bearing Indicator:	Locked Bearing
Voltage @ Frequency:	460.0 V @ 60 HZ	Motor Lead Termination:	Flying Leads
Agency Approvals:	CSA EEV	Motor Type:	4476M
	NEMA PREMIUM	Mounting Arrangement:	F1
	NEMA_PREMIUM	Power Factor:	88
	UR	Product Family:	General Purpose
Auxillary Box:	No Auxillary Box	Pulley Face Code:	C-Face
Auxillary Box Lead Termination:	None	Rodent Screen:	None
Base Indicator:	Rigid	Shaft Ground Indicator:	No Shaft Grounding
Bearing Grease Type:	Polyrex EM (-20F +300F)	Shaft Rotation:	Reversible
Blower:	None	Speed Code:	Single Speed
Current @ Voltage:	143.000 A @ 460.0 V	Motor Standards:	NEMA
Design Code:	B	Starting Method:	Wye Start - Delta Run

Drip Cover:	No Drip Cover	Thermal Device - Bearing:	None
Duty Rating:	CONT	Thermal Device - Winding:	None
Electrically Isolated Bearing:	Not Electrically Isolated	Vibration Sensor Indicator:	No Vibration Sensor
Feedback Device:	NO FEEDBACK	Winding Thermal 1:	None
Heater Indicator:	No Heater	Winding Thermal 2:	None

Nameplate NP2138L												
CAT.NO.	CEM2554T-4			P/N				ENCLOSURE	OPSB			
SPEC.	44-0000-0086		CC	010A		FRAME	404TSC		S/N			
HP	125			CLASS	F		HZ	60				
RPM	3540			PH	3		DES	B				
VOLT	460				KVA-CODE	G		ODE BRG	6312		DE BRG	6313
AMP	143			USABLE AT 208V								
RATING	40C AMB-CONT			GREASE			POLYREX EM					
NEMA-NOM-EFF	94.1	PF	88	SER.F.	1.15							
HTR-VOLTS	50HZ 125HP 380V 170A SF1.0											
	HTR-AMPS											

Parts List		
Part Number	Description	Quantity
SA396611	SA 44-0000-0086	1.000 EA
RA387430	RA 44-0000-0086	1.000 EA
LB1115N	LABEL,LIFTING DEVICE (ON ROLLS)	1.000 EA
LB1119N	WARNING LABEL	1.000 EA
LC0382	CONNECTION LABEL	1.000 EA
LB1417	LABEL CARTON 6X4 PERFORATED BLANK ROLLS	1.000 EA
NP2138L	ALUM SUPER-E UL CSA-EEV PREM CC (300	1.000 EA
85XU0407S04	4X1/4 U DRIVE PIN STAINLESS	4.000 EA
MN416A01	TAG-INSTAL-MAINT no wire (2100/bx) 4/22	1.000 EA
HA6731	LIFTING LUG FOR 44 FRAME MOTORS.	2.000 EA
MJ1000A02	GREASE, MOBIL POLYREX EM - 124047	0.200 LB
HA3175A04	THRUBOLT STUD 1/2-13 X 26.000 - GRADE 2	4.000 EA
HW1001A50	LOCKWASHER 1/2, ZINC PLT.,.879 OD, .509 I	8.000 EA
XY5013A12	NUT,1/2-13,HEX,STEEL,ZINCPLATED	8.000 EA
44EP1203A02	FREP, MACH	1.000 EA
HW5100A15	W4997-050 WVY WSHR (WB)	1.000 EA
HA4051A00	PLASTIC CAP FOR GREASE FITTING	1.000 EA
HW4500A03	GREASE FITTING, .125 NPT 1610(ALEMITE) 8	1.000 EA
HW4500A17	317400 ALEMITE GREASE RELIEF	1.000 EA
44EP1403A01	ENDPLATE MACH. 364-5TC FOR 313 BRG	1.000 EA
10XN3816K48	3/8-16 X 3 HEX HD CAP SCREW,Z/P	4.000 EA
HW1001A38	LOCKWASHER 3/8, ZINC PLT .688 OD, .382 I	4.000 EA
HA4051A00	PLASTIC CAP FOR GREASE FITTING	1.000 EA
HW4500A03	GREASE FITTING, .125 NPT 1610(ALEMITE) 8	1.000 EA

Parts List (continued)		
Part Number	Description	Quantity
HW4500A17	317400 ALEMITE GREASE RELIEF	1.000 EA
18CB1006A53	CB 318 3.62 LD HL, .38-16 TAP GND & 3.88	1.000 EA
19XW3118A16	.31-18 HEX WASHER HEAD TAPTITE II 1.00 L	4.000 EA
HW1001A31	LOCKWASHER 5/16, ZINC PLT.591 OD, .319 I	4.000 EA
WD1000B19	TERMINAL BURNDY L250HP	1.000 EA
10XN3816K08	3/8-16 X .50 HEX HD CAP SCREW GRADE 5	1.000 EA
HW1001A38	LOCKWASHER 3/8, ZINC PLT .688 OD, .382 I	1.000 EA
HA6648A01	CAST ADAPTER, 44 FRAME - NEMA 404-5 - MA	1.000 EA
19XW3816A12	.38-16 X .75 HEX WASHER HEAD TAPTITE II	2.000 EA
HW1001A38	LOCKWASHER 3/8, ZINC PLT .688 OD, .382 I	2.000 EA
18CB1506A01	CB LID 318 FOR 18CB1006	1.000 EA
10XN3118K16	5/16-18 X 1' GRADE #5, STL, ZINC PLATE	4.000 EA
HW1001A31	LOCKWASHER 5/16, ZINC PLT.591 OD, .319 I	4.000 EA
44AD2001A02	BAFFLE 44 OPEN,"X"=1.50, SLOTTED BAND MT	1.000 EA
44AD2001A02	BAFFLE 44 OPEN,"X"=1.50, SLOTTED BAND MT	1.000 EA
MG1000Y03	MUNSELL 2.53Y 6.70/ 4.60, GLOSS 20,	0.125 GA
44PA1000	PK GP COMB PRINT 39-3/8X31X23-7/8	1.000 EA
HW2501H24	KEY, 1/2 SQ X 2.750	1.000 EA

AC Induction Motor Performance Data

Record # 33221

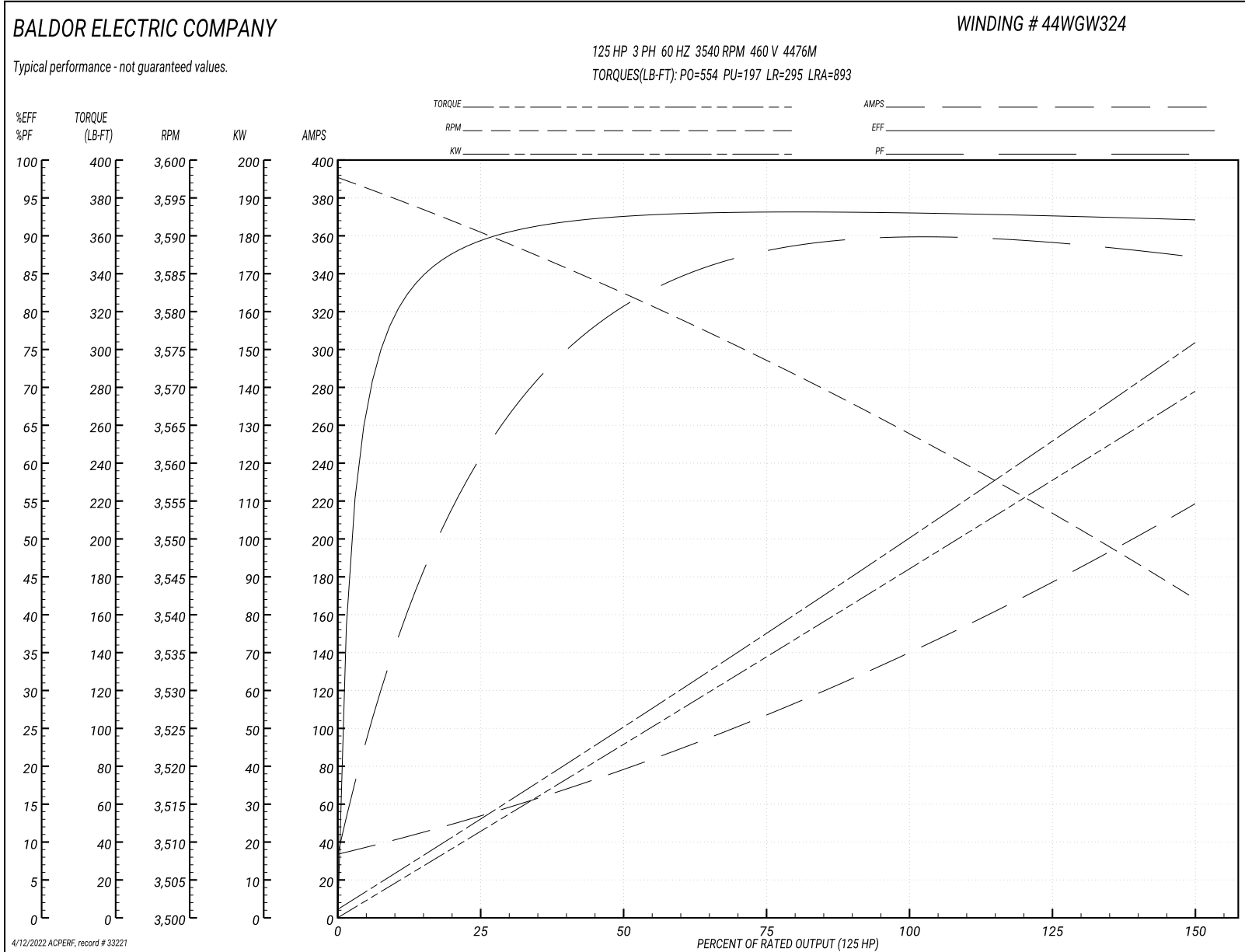
Typical performance - not guaranteed values

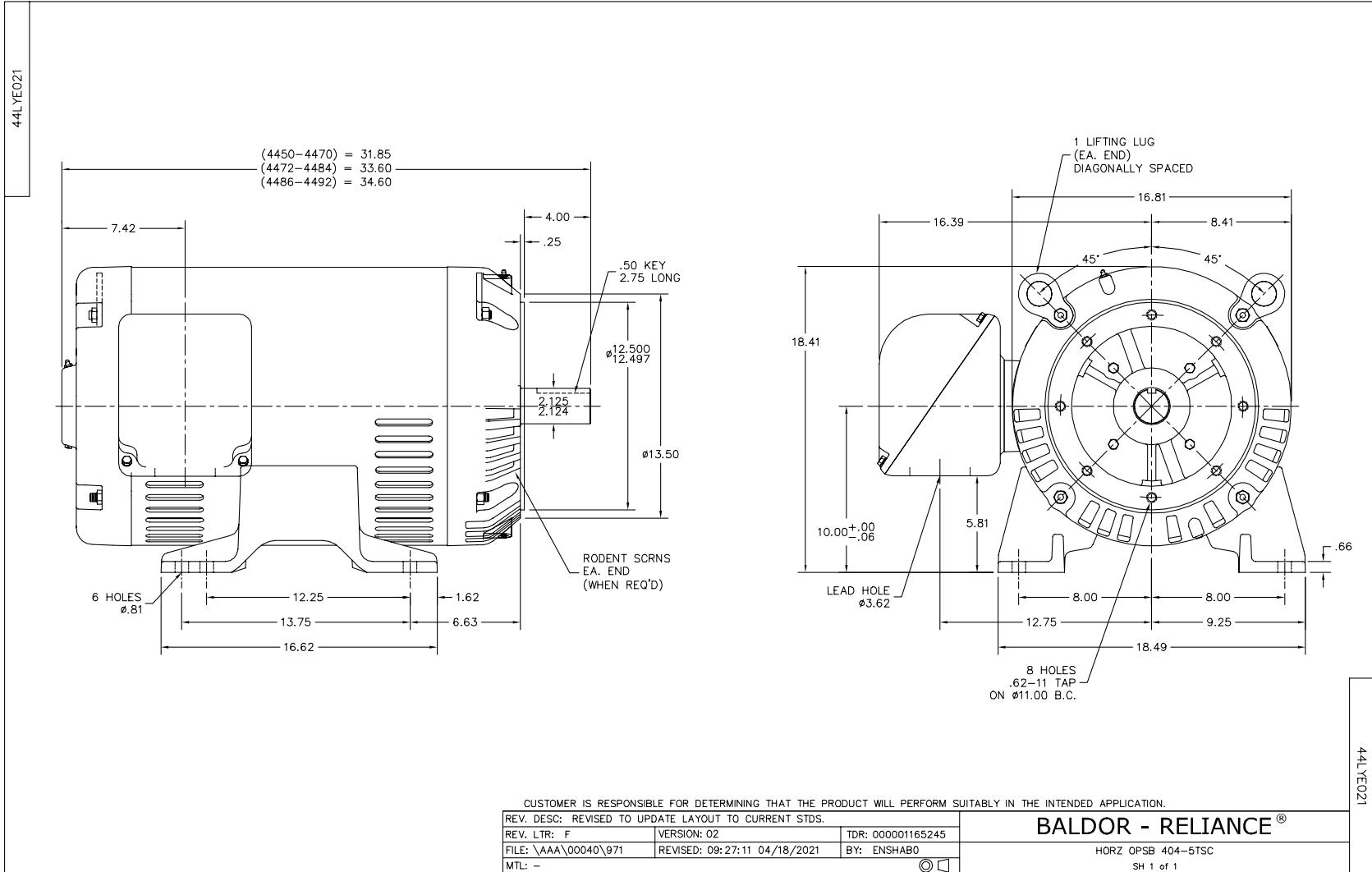
Winding: 44WGW324-R001		Type: 4476M		Enclosure: OPSB	
Nameplate Data			460 V, 60 Hz: Single Voltage Motor		
Rated Output (HP)	125	Full Load Torque	187 LB-FT		
Volts	460	Start Configuration	direct on line		
Full Load Amps	143	Breakdown Torque	554 LB-FT		
R.P.M.	3540	Pull-up Torque	197 LB-FT		
Hz	60 Phase	Locked-rotor Torque	295 LB-FT		
NEMA Design Code	B KVA Code	G	Starting Current	893 A	
Service Factor (S.F.)	1.15	No-load Current	35.7 A		
NEMA Nom. Eff.	94.1 Power Factor	88	Line-line Res. @ 25°C	0.038466 Ω	
Rating - Duty	40C AMB-CONT		Temp. Rise @ Rated Load	39°C	
S.F. Amps			Temp. Rise @ S.F. Load	48°C	
			Locked-rotor Power Factor	17.2	
			Rotor inertia	9.94 LB-FT ²	

Load Characteristics 460 V, 60 Hz, 125 HP

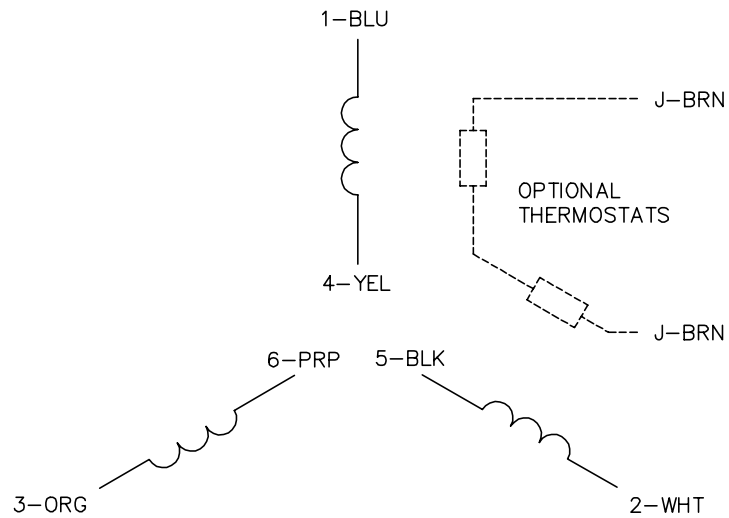
% of Rated Load	25	50	75	100	125	150	S.F.
Power Factor	65	83	87	88	89	88	89
Efficiency	91.9	94.5	94.7	94.3	93.7	92.8	93.9
Speed	3588.6	3581.9	3573.7	3564.4	3553.5	3541.5	3558
Line amperes	51	78.3	108	143	179	217	165

Performance Graph at 460V, 60Hz, 125.0HP Typical performance - Not guaranteed values

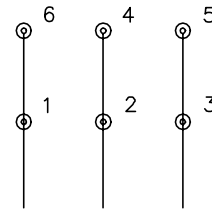




CD0382

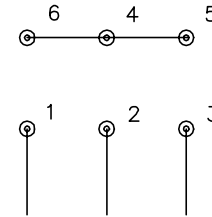


RUN CONNECTION
(1D)



LINE

START CONNECTION
(1Y)



LINE

NOTES:

1. INTERCHANGE ANY TWO LINE LEADS TO REVERSE ROTATION.
2. OPTIONAL THERMOSTATS ARE PROVIDED WHEN SPECIFIED.
3. ACTUAL NUMBER OF INTERNAL PARALLEL CIRCUITS MAY BE A MULTIPLE OF THOSE SHOWN ABOVE.
4. LEAD COLORS ARE OPTIONAL. LEADS MUST ALWAYS BE NUMBERED AS SHOWN.
5. FOR ACROSS-THE-LINE STARTING, USE 'RUN' CONNECTION.

CD0382

REV. DESC: ADD CLASS CONN00000007		
REV. LTR: F	VERSION: 01	TDR: 000001099922
FILE: \AAA\00005\243	REVISED: 09:05:32 02/19/2019	BY: ENBRIRO
MTL: -	Ⓢ □	

BALDOR - RELIANCE®

3PH, SV, 6 LEADS, Y START/D RUN

SH 1 of 1

Marketing maintained PDF of MN416:

<http://www.baldor.com/support/Literature/Load.ashx/MN416?ManNumber=MN416>