

BALDOR® • RELIANCE 

Product Information Packet

CEM31115-G

1HP,3500RPM,3PH,60HZ,56C,OPSB,F1

Part Detail							
Revision:	A	Status:	PRD/A	Change #:		Proprietary:	No
Type:	AC	Elec. Spec:	35WGP987	CD Diagram:	CD0005	Mfg Plant:	
Mech. Spec:		Layout:	35LYZ614	Poles:	02	Created Date:	03-09-2020
Base:		Eff. Date:	11-11-2021	Leads:	9#18		

Specs			
Catalog Number:	CEM31115-G	Feedback Device:	NO FEEDBACK
Enclosure:	OPSB	Heater Indicator:	No Heater
Frame:	56C	Insulation Class:	H
Frame Material:	Steel	Inverter Code:	Inverter Ready
Output @ Frequency:	1.000 HP @ 60 HZ	IP Rating:	NONE
Synchronous Speed @ Frequency:	3600 RPM @ 60 HZ	KVA Code:	K
Voltage @ Frequency:	460.0 V @ 60 HZ	Lifting Lugs:	No Lifting Lugs
	230.0 V @ 60 HZ	Locked Bearing Indicator:	Locked Bearing
XP Class and Group:	None	Motor Lead Termination:	Flying Leads
XP Division:	Not Applicable	Motor Type:	3512M
Agency Approvals:	CSA	Mounting Arrangement:	F1
	CSA EEV	Power Factor:	80
	UR	Product Family:	General Purpose
Auxillary Box:	No Auxillary Box	Pulley Face Code:	C-Face
Auxillary Box Lead Termination:	None	Rodent Screen:	None
Base Indicator:	Rigid	Shaft Ground Indicator:	Shaft Grounding
Bearing Grease Type:	Polyrex EM (-20F +300F)	Shaft Rotation:	Reversible
Blower:	None	Speed Code:	Single Speed

Current @ Voltage:	1.450 A @ 460.0 V	Motor Standards:	NEMA
	2.900 A @ 230.0 V	Starting Method:	Direct on line
Design Code:	B	Thermal Device - Bearing:	None
Drip Cover:	No Drip Cover	Thermal Device - Winding:	None
Duty Rating:	CONT	Vibration Sensor Indicator:	No Vibration Sensor
Electrically Isolated Bearing:	Not Electrically Isolated	Winding Thermal 1:	None
		Winding Thermal 2:	None

Nameplate NP3553LUA										
CAT.NO.	CEM31115-G									
SPEC.	35-0000-0669									
HP	1									
VOLTS	230/460									
AMPS	2.9/1.45									
RPM	3500									
FRAME	56C				HZ	60			PH	3
SF	1.15		CODE	K	DES	B		CLASS	H	
NEMA NOM. EFF	78.5		PF	80						
RATING	40C AMB-CONT									
CC	010A				USABLE AT 208V					3
DE	6205				ODE	6203				
ENCL	OPSB		SN							
VPWM INVERTER READY										
CT30-60(2:1) VT3-60(20:1)										
USABLE AT	50HZ 1HP 190/380V 3.4/1.9A								SF1.0	

Parts List		
Part Number	Description	Quantity
SA379798	SA 35-0000-0669	1.000 EA
RA369822	RA 35-0000-0669	1.000 EA
LC0005E01	CONN.DIA./WARNING LABEL (LC0005/LB1119N)	1.000 EA
NP3553LUA	ALUM SUPER-E VPWM INVERTER READY UL	1.000 EA
85XU0407S04	4X1/4 U DRIVE PIN STAINLESS	2.000 EA
MN416A01	TAG-INSTAL-MAINT no wire (2100/bx) 4/22	1.000 EA
MJ1000A02	GREASE, MOBIL POLYREX EM - 124047	0.050 LB
HA3100A12	THRUBOLT 10-32 X 7.375	4.000 EA
LB1459	AEGIS SGR LABEL "AEGISLBL-100"	1.000 EA
35EP3209G00	MASTER ODE,203 BRG	1.000 EA
HW5100A03	WAVY WASHER (W1543-017)	1.000 EA
35EP3402C00	MASTER DE,205 BRG,OPEN	1.000 EA
51XN1032A20	10-32 X 1 1/4 HX WS SL SR	2.000 EA
35CB3000SP	CONDUIT BOX, CAST, W/.88 DIA. LEAD HOLE	1.000 EA
36GS1000SP	GASKET-CONDUIT BOX, .06 THICK #SV-330 LE	1.000 EA
51XB1016A07	10-16 X 7/16 HXWSSLD SERTYB	2.000 EA
FE-0000001	ZRTG FE ASSEMBLY	1.000 EA
HW3001B01	BRASS CUP WASHER, FOR #10 SCREW	1.000 EA
PE-0000001	ZRTG PE ASSEMBLY	1.000 EA
11XW1032G06	10-32 X .38, TAPTITE II, HEX WSHR SLTD U	1.000 EA
35CB4514GX	CONDUIT BOX LID KIT	1.000 EA
51XW1032A06	10-32 X .38, TAPTITE II, HEX WSHR SLTD S	4.000 EA
NS2512A01	INSULATOR, CONDUIT BOX X	1.000 EA
35AD2005B01	BAFFLE PLATE,MOD 35-SLTD BAND MTR TDR	1.000 EA

Parts List (continued)		
Part Number	Description	Quantity
35AD2005B01	BAFFLE PLATE,MOD 35-SLTD BAND MTR TDR	1.000 EA
MG1000Y03	MUNSELL 2.53Y 6.70/ 4.60, GLOSS 20,	0.022 GA
35PA1066	PKG GRP, PRINT PK1008A06	1.000 EA
HW2501D12	KEY, 3/16 SQ X 1.250	1.000 EA
HA7000A04	KEY RETAINER 0.625 DIA SHAFTS	1.000 EA

AC Induction Motor Performance Data

Record # 81806

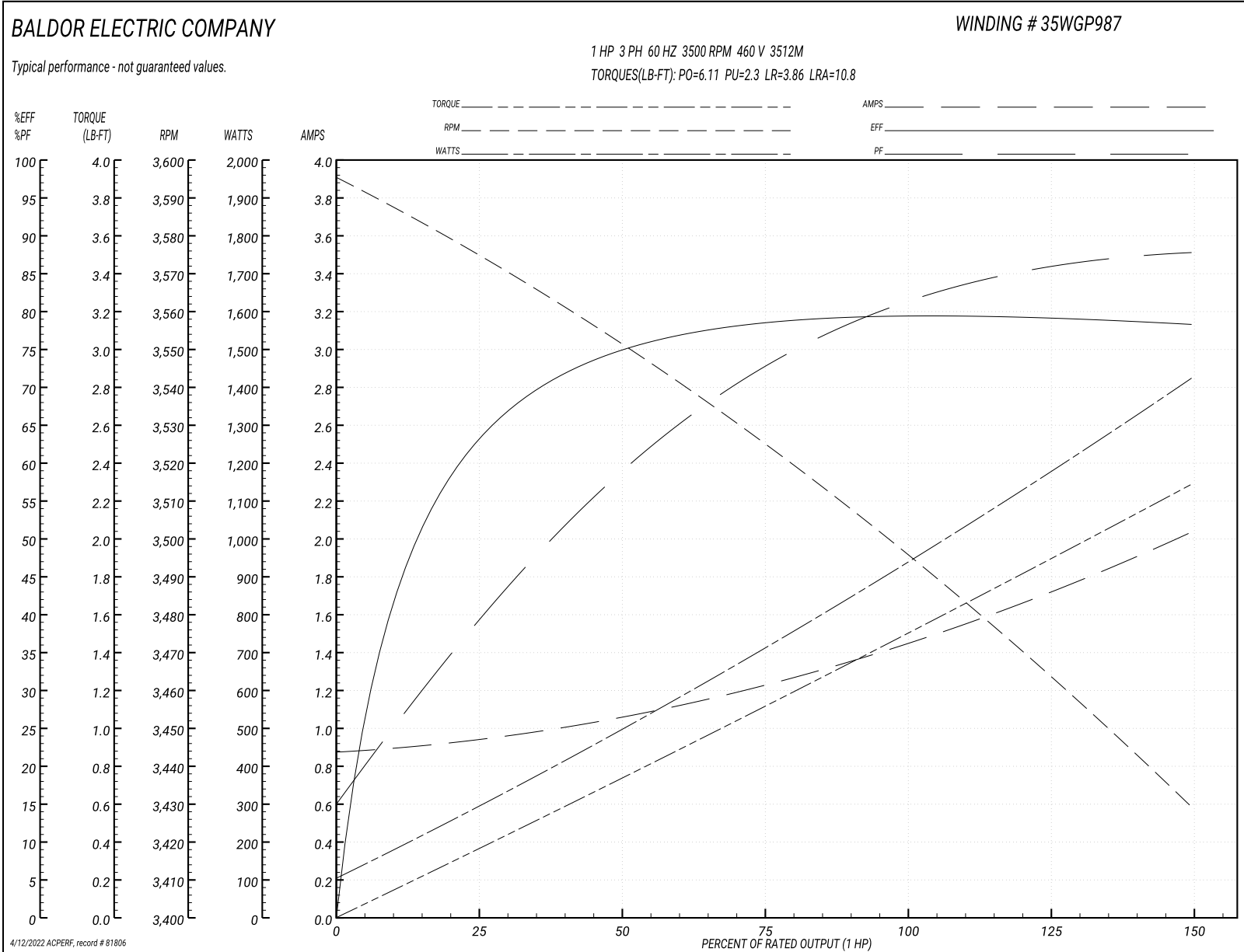
Typical performance - not guaranteed values

Winding: 35WGP987-R008		Type: 3512M		Enclosure: OPEN	
Nameplate Data			460 V, 60 Hz: High Voltage Connection		
Rated Output (HP)	1	Full Load Torque	1.47 LB-FT		
Volts	230/460	Start Configuration	direct on line		
Full Load Amps	2.9/1.45	Breakdown Torque	6.11 LB-FT		
R.P.M.	3500	Pull-up Torque	2.3 LB-FT		
Hz	60 Phase	Locked-rotor Torque	3.86 LB-FT		
NEMA Design Code	B	Starting Current	10.8 A		
Service Factor (S.F.)	1.15	No-load Current	0.883 A		
NEMA Nom. Eff.	78.5	Line-line Res. @ 25°C	19.3 Ω		
Rating - Duty	40C AMB-CONT	Temp. Rise @ Rated Load	31°C		
S.F. Amps		Temp. Rise @ S.F. Load	35°C		
		Locked-rotor Power Factor	66		
		Rotor inertia	0.0332 LB-FT ²		

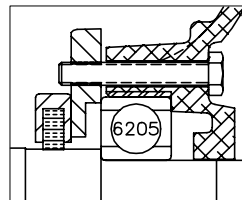
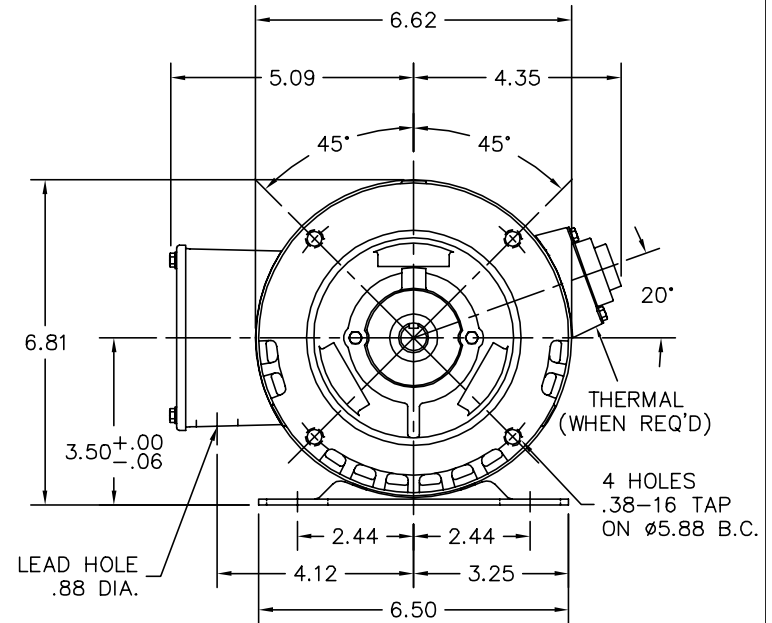
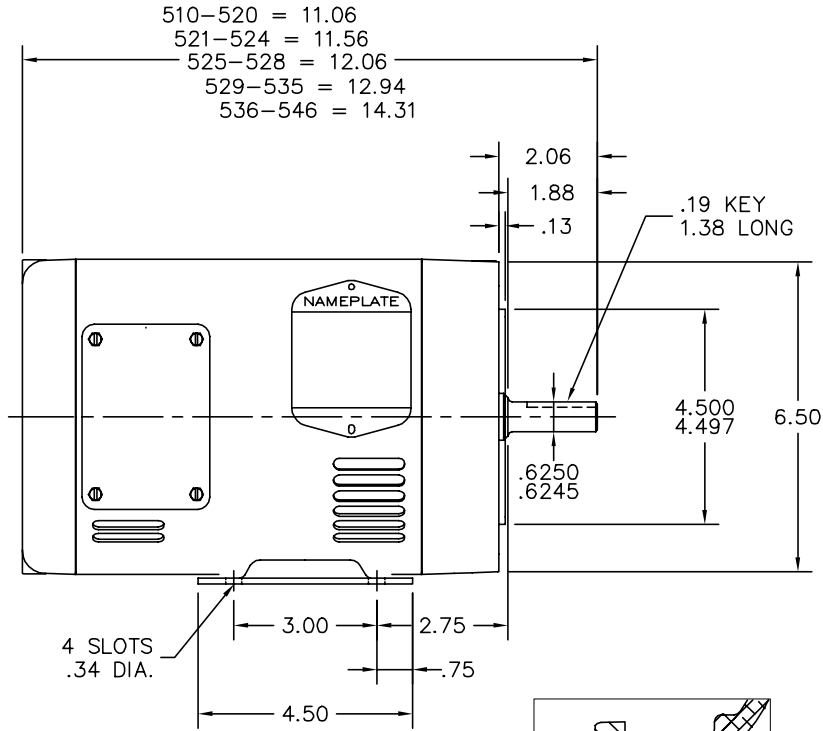
Load Characteristics 460 V, 60 Hz, 1 HP

% of Rated Load	25	50	75	100	125	150	S.F.
Power Factor	39	58	72	80	85	88	83
Efficiency	62.2	74.4	78.5	79.2	79.4	78.1	79.3
Speed	3575	3552	3527	3499	3464	3429	3478
Line amperes	0.931	1.04	1.22	1.44	1.72	2.03	1.61

Performance Graph at 460V, 60Hz, 1.0HP Typical performance - Not guaranteed values



35LYZ614



PULLEY END DETAIL
 (AEGIS GROUND)

CUSTOMER IS RESPONSIBLE FOR DETERMINING THAT BALDOR'S PRODUCT WILL PERFORM SUITABLY IN THE INTENDED APPLICATION.

REV. DESC: NEW			
REV. LTR: -	VERSION: 00	TDR: 000000595529	
FILE: \AAA\00182\607		REVISED: 08:27:03 05/27/2011	
MTL: AAA00055996		BY: ENWINBO	

BALDOR

HOR 56C OPSB M W/AEGIS INT GND

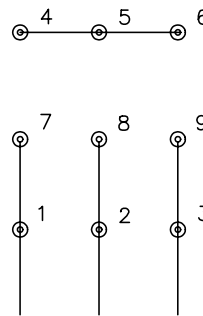
SH 1 of 1

35LYZ614

CD0005

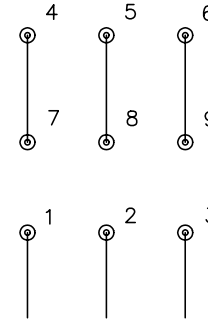


LOW VOLTAGE
(2Y)



LINE

HIGH VOLTAGE
(1Y)



LINE

NOTES:

1. INTERCHANGE ANY TWO LINE LEADS TO REVERSE ROTATION.
2. OPTIONAL THERMOSTATS ARE PROVIDED WHEN SPECIFIED.
3. ACTUAL NUMBER OF INTERNAL PARALLEL CIRCUITS MAY BE A MULTIPLE OF THOSE SHOWN ABOVE.
4. LEAD COLORS ARE OPTIONAL. LEADS MUST ALWAYS BE NUMBERED AS SHOWN.

REV. DESC: REVISE TO SHOW OPTIONAL COLORS

REV. LTR: E BY: JLP

REVISED: 01/19/99 10:15

TDR: 0171435

900003

FILE: AAA00005140

MDL: -

MTL: -

BALDOR ELECTRIC Co.

3PH, DV, 9 LEADS

CD0005

Marketing maintained PDF of MN416:

<http://www.baldor.com/support/Literature/Load.ashx/MN416?ManNumber=MN416>