

BALDOR® • RELIANCE 

Product Information Packet

CEM3215T-G

2HP,1165RPM,3PH,60HZ,184TC,OPSB,F1

Part Detail							
Revision:	A	Status:	PRD/A	Change #:		Proprietary:	No
Type:	AC	Elec. Spec:	36WGS947	CD Diagram:	CD0005	Mfg Plant:	
Mech. Spec:		Layout:	36LY-000-161	Poles:	06	Created Date:	09-15-2020
Base:		Eff. Date:	11-11-2021	Leads:	9#16		

Specs			
Catalog Number:	CEM3215T-G	Feedback Device:	NO FEEDBACK
Enclosure:	OPSB	Heater Indicator:	No Heater
Frame:	184TC	Insulation Class:	H
Frame Material:	Steel	Inverter Code:	Inverter Duty
Output @ Frequency:	2.000 HP @ 60 HZ	IP Rating:	NONE
Synchronous Speed @ Frequency:	1200 RPM @ 60 HZ	KVA Code:	L
Voltage @ Frequency:	460.0 V @ 60 HZ	Lifting Lugs:	Standard Lifting Lugs
	230.0 V @ 60 HZ	Locked Bearing Indicator:	Locked Bearing
XP Class and Group:	None	Motor Lead Termination:	Flying Leads
XP Division:	Not Applicable	Motor Type:	3636M
Agency Approvals:	CSA	Mounting Arrangement:	F1
	CSA EEV	Power Factor:	63
	UR	Product Family:	General Purpose
Auxillary Box:	No Auxillary Box	Pulley Face Code:	C-Face
Auxillary Box Lead Termination:	None	Rodent Screen:	None
Base Indicator:	Rigid	Shaft Ground Indicator:	Shaft Grounding
Bearing Grease Type:	Polyrex EM (-20F +300F)	Shaft Rotation:	Reversible
Blower:	None	Speed Code:	Single Speed

Current @ Voltage:	3.400 A @ 460.0 V	Motor Standards:	NEMA
	6.800 A @ 230.0 V	Starting Method:	Direct on line
Design Code:	B	Thermal Device - Bearing:	None
Drip Cover:	No Drip Cover	Thermal Device - Winding:	None
Duty Rating:	CONT	Vibration Sensor Indicator:	No Vibration Sensor
Electrically Isolated Bearing:	Not Electrically Isolated	Winding Thermal 1:	None
		Winding Thermal 2:	None

Nameplate NP3553LUA										
CAT.NO.	CEM3215T-G									
SPEC.	36-0000-0413									
HP	2									
VOLTS	230/460									
AMPS	6.8/3.4									
RPM	1165									
FRAME	184TC		HZ	60		PH	3			
SF	1.15		CODE	L		DES	B		CLASS	H
NEMA NOM. EFF	87.5		PF	63						
RATING	40C AMB-CONT									
CC	010A		USABLE AT 208V							
DE	6206		ODE	6205						
ENCL	OPSB		SN							
VPWM INVERTER READY										
CT30-60(2:1) VT3-60(20:1)										
USABLE AT										

Parts List		
Part Number	Description	Quantity
SA386534	SA 36-0000-0413	1.000 EA
RA376829	RA 36-0000-0413	1.000 EA
LB1115N	LABEL,LIFTING DEVICE (ON ROLLS)	1.000 EA
LC0005E01	CONN.DIA./WARNING LABEL (LC0005/LB1119N)	1.000 EA
NP3553LUA	ALUM SUPER-E VPWM INVERTER READY UL	1.000 EA
85XU0407S04	4X1/4 U DRIVE PIN STAINLESS	2.000 EA
MN416A01	TAG-INSTAL-MAINT no wire (2100/bx) 4/22	1.000 EA
HW3200A01	3/8-16X3/4 I-BLT WELDED F/S	1.000 EA
MJ1000A02	GREASE, MOBIL POLYREX EM - 124047	0.050 LB
HA3101A28	THRUBOLT 1/4-20 X 12.500 OHIO ROD	4.000 EA
LB1459	AEGIS SGR LABEL "AEGISLBL-100"	1.000 EA
36EP3204B00	MASTER ODE,205 BRG,GRSR	1.000 EA
HW5100A05	WVY WSHR F/205 & 304 BRGS	1.000 EA
HW4500A01	1641B(ALEMITE)400 UNIV, GREASE FITT	1.000 EA
36EP3403A05	PU ENDPLATE 182-4TC -OPEN- W/OUT TS & BA	1.000 EA
10XN2520A28	1/4-20X 1 3/4 HEX HD	4.000 EA
HW1001A25	LOCKWASHER 1/4, ZINC PLT .493 OD, .255 I	4.000 EA
HW4500A01	1641B(ALEMITE)400 UNIV, GREASE FITT	1.000 EA
36CB3004	36 CB CASTING W/1.09 DIA LEAD HOLE @ 6:0	1.000 EA
FE-0000001	ZRTG FE ASSEMBLY	1.000 EA
51XB1016A08	10-16X 1/2HXWSSLD SERTYB	2.000 EA
HW3001B02	BRASS CUP WASHER W/GROUND SYMBOL TAB,	1.000 EA
11XW1032G06	10-32 X .38, TAPTITE II, HEX WSHR SLTD U	1.000 EA
36CB4516	750LIPPED CB LID - GALVANNEAL	1.000 EA

Parts List (continued)		
Part Number	Description	Quantity
51XW0832A07	8-32 X .44, TAPTITE II, HEX WSHR SLTD SE	4.000 EA
36AD2004B01	BAFFLE PLATE,MOD 36-SLTD BAND MTRS	1.000 EA
36AD2004B01	BAFFLE PLATE,MOD 36-SLTD BAND MTRS	1.000 EA
MG1000Y03	MUNSELL 2.53Y 6.70/ 4.60, GLOSS 20,	0.022 GA
36PA1001	PKG GRP, PRINT PK1017A06	1.000 EA
HW2501E19	STD SQUARE KEY .25 SQUARE X 2.125 LONG	1.000 EA
HA7000A02	KEY RETAINER RING, 1 1/8 DIA, 1 3/8 DIA	1.000 EA

AC Induction Motor Performance Data

Record # 39004

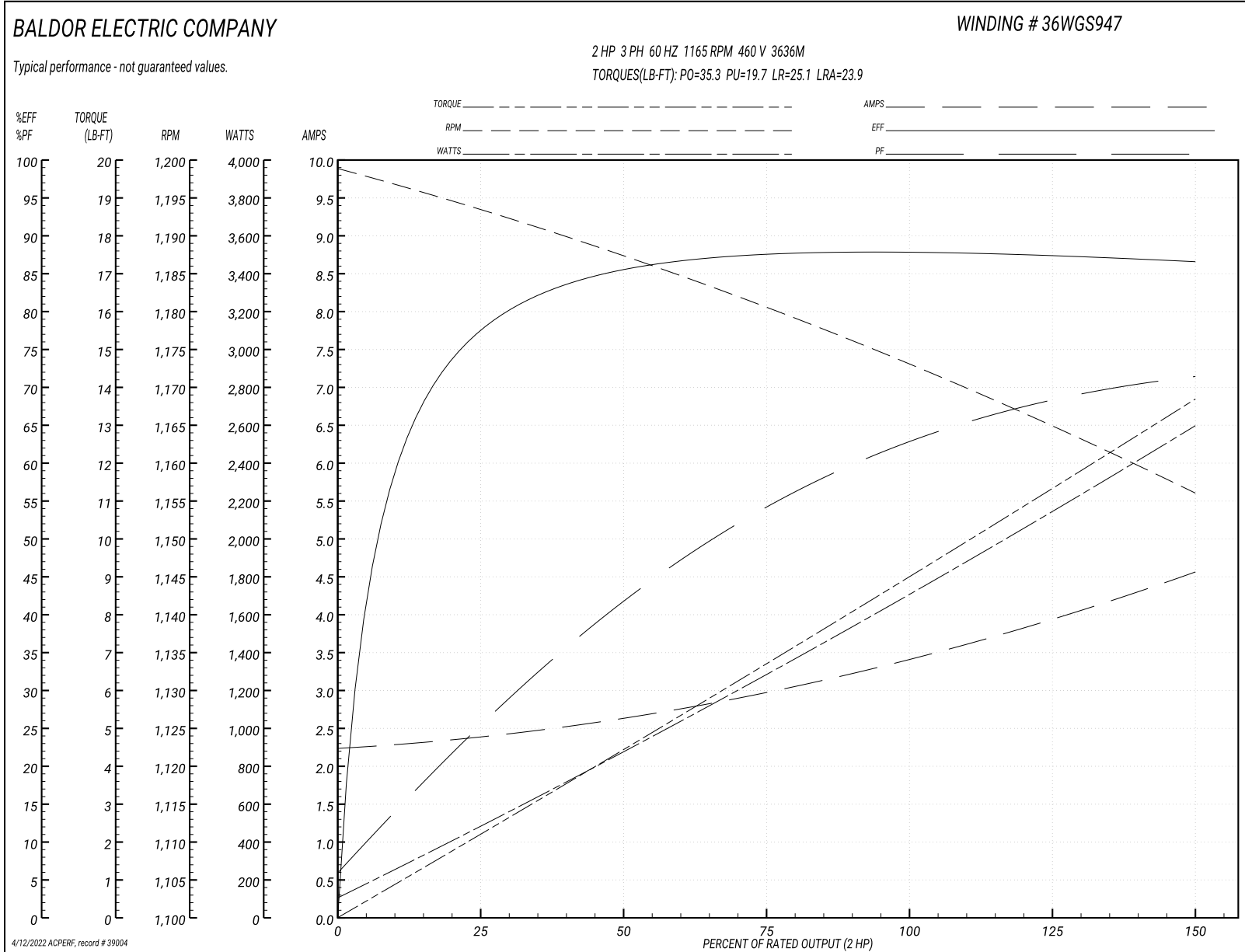
Typical performance - not guaranteed values

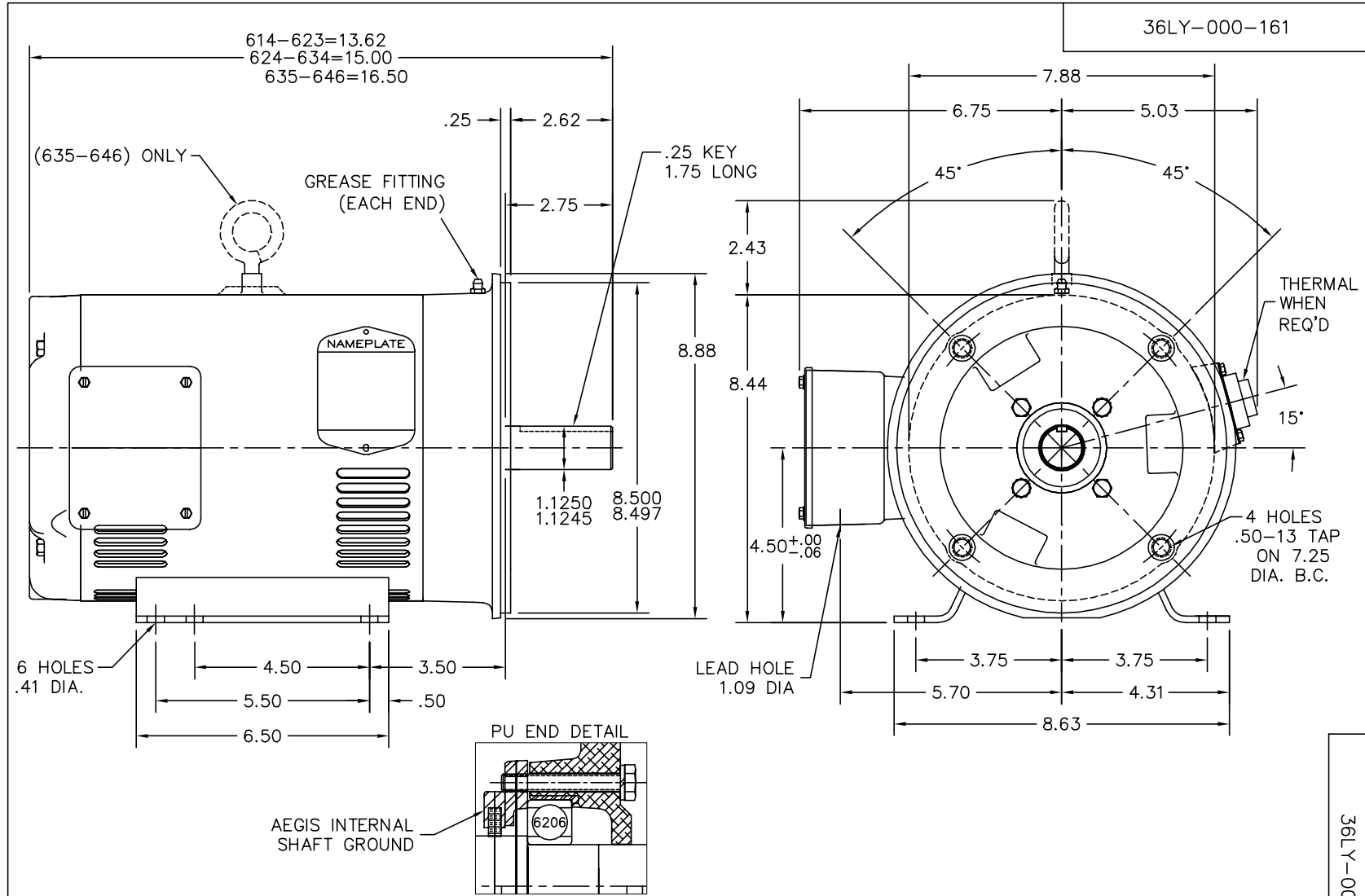
Winding: 36WGS947-R002		Type: 3636M		Enclosure: OPSB	
Nameplate Data			460 V, 60 Hz: High Voltage Connection		
Rated Output (HP)	2	Full Load Torque	9.01 LB-FT		
Volts	230/460	Start Configuration	direct on line		
Full Load Amps	6.8/3.4	Breakdown Torque	35.3 LB-FT		
R.P.M.	1165	Pull-up Torque	19.7 LB-FT		
Hz	60 Phase	3	Locked-rotor Torque	25.1 LB-FT	
NEMA Design Code	B KVA Code	L	Starting Current	23.9 A	
Service Factor (S.F.)	1.15		No-load Current	2.26 A	
NEMA Nom. Eff.	87.5 Power Factor	63	Line-line Res. @ 25°C	4.9075 Ω	
Rating - Duty	40C AMB-CONT		Temp. Rise @ Rated Load	24°C	
S.F. Amps			Temp. Rise @ S.F. Load	28°C	

Load Characteristics 460 V, 60 Hz, 2 HP

% of Rated Load	25	50	75	100	125	150	S.F.
Power Factor	27	43	55	62	68	72	66
Efficiency	77.9	85.5	87.6	88	87.6	86.8	87.8
Speed	1193.3	1187	1180.2	1173.2	1165.2	1155.9	1168
Line amperes	2.37	2.62	2.99	3.43	3.96	4.54	3.75

Performance Graph at 460V, 60Hz, 2.0HP Typical performance - Not guaranteed values





CUSTOMER IS RESPONSIBLE FOR DETERMINING THAT BALDOR'S PRODUCT WILL PERFORM SUITABLY IN THE INTENDED APPLICATION.

REV. DESC: NEW		
REV. LTR: -	VERSION: 00	TDR: 000001117589
FILE: \AAA\00253\440	REVISED: 10: 37: 28 05/12/2020	BY: FPJFGO
MTL: -	⊙ ⊐	

BALDOR - RELIANCE®

HOR 182-4TC OPSB 36M, AEGIS INT SH GRD (PU)

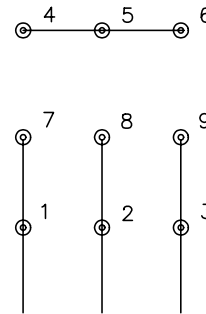
SH 1 of 1

36LY-000-161

CD0005

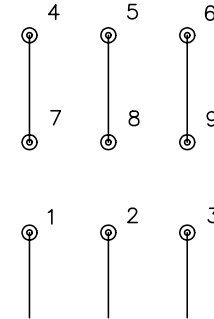


LOW VOLTAGE
(2Y)



LINE

HIGH VOLTAGE
(1Y)



LINE

NOTES:

1. INTERCHANGE ANY TWO LINE LEADS TO REVERSE ROTATION.
2. OPTIONAL THERMOSTATS ARE PROVIDED WHEN SPECIFIED.
3. ACTUAL NUMBER OF INTERNAL PARALLEL CIRCUITS MAY BE A MULTIPLE OF THOSE SHOWN ABOVE.
4. LEAD COLORS ARE OPTIONAL. LEADS MUST ALWAYS BE NUMBERED AS SHOWN.

REV. DESC: REVISE TO SHOW OPTIONAL COLORS			
REV. LTR: E	BY: JLP	REVISED: 01/19/99 10:15	TDR: 0171435
90000		FILE: AAA00005140	MDL: -
		MTL: -	

BALDOR ELECTRIC Co.

3PH, DV, 9 LEADS

CD0005

Marketing maintained PDF of MN416:

<http://www.baldor.com/support/Literature/Load.ashx/MN416?ManNumber=MN416>