

BALDOR® • RELIANCE 

Product Information Packet

CEM3215T

2HP,1165RPM,3PH,60HZ,184TC,OPSB,F1

| Part Detail | | | | | | | |
|-------------|----|-------------|------------|-------------|--------|---------------|------------|
| Revision: | - | Status: | PRD/A | Change #: | | Proprietary: | No |
| Type: | AC | Elec. Spec: | 36WGS947 | CD Diagram: | CD0005 | Mfg Plant: | |
| Mech. Spec: | | Layout: | 36LYB102 | Poles: | 06 | Created Date: | 02-24-2020 |
| Base: | | Eff. Date: | 02-26-2020 | Leads: | 9#16 | | |

| Specs | | | |
|---------------------------------|-------------------------|---------------------------|-----------------------|
| Catalog Number: | CEM3215T | Feedback Device: | NO FEEDBACK |
| Enclosure: | OPSB | Heater Indicator: | No Heater |
| Frame: | 184TC | Insulation Class: | F |
| Frame Material: | Steel | Inverter Code: | Inverter Ready |
| Output @ Frequency: | 2.000 HP @ 60 HZ | IP Rating: | NONE |
| Synchronous Speed @ Frequency: | 1200 RPM @ 60 HZ | KVA Code: | L |
| Voltage @ Frequency: | 460.0 V @ 60 HZ | Lifting Lugs: | Standard Lifting Lugs |
| | 230.0 V @ 60 HZ | Locked Bearing Indicator: | Locked Bearing |
| XP Class and Group: | None | Motor Lead Termination: | Flying Leads |
| XP Division: | Not Applicable | Motor Type: | 3636M |
| Agency Approvals: | CSA | Mounting Arrangement: | F1 |
| | CSA EEV | Power Factor: | 63 |
| | UR | Product Family: | General Purpose |
| Auxillary Box: | No Auxillary Box | Pulley Face Code: | C-Face |
| Auxillary Box Lead Termination: | None | Rodent Screen: | None |
| Base Indicator: | Rigid | Shaft Ground Indicator: | No Shaft Grounding |
| Bearing Grease Type: | Polyrex EM (-20F +300F) | Shaft Rotation: | Reversible |
| Blower: | None | Speed Code: | Single Speed |

| | | | |
|---------------------------------------|---------------------------|------------------------------------|---------------------|
| Current @ Voltage: | 3.400 A @ 460.0 V | Motor Standards: | NEMA |
| | 6.800 A @ 230.0 V | Starting Method: | Direct on line |
| Design Code: | B | Thermal Device - Bearing: | None |
| Drip Cover: | No Drip Cover | Thermal Device - Winding: | None |
| Duty Rating: | CONT | Vibration Sensor Indicator: | No Vibration Sensor |
| Electrically Isolated Bearing: | Not Electrically Isolated | Winding Thermal 1: | None |
| | | Winding Thermal 2: | None |

| Nameplate NP1259L | | | | | | | | | | |
|-------------------|--------------|--|------|----|----------------|------|--|----|----|---|
| CAT.NO. | CEM3215T | | | | | | | | | |
| SPEC. | 36-0000-0311 | | | | | | | | | |
| HP | 2 | | | | | | | | | |
| VOLTS | 230/460 | | | | | | | | | |
| AMP | 6.8/3.4 | | | | | | | | | |
| RPM | 1165 | | | | | | | | | |
| FRAME | 184TC | | | | HZ | 60 | | | PH | 3 |
| SER.F. | 1.15 | | CODE | L | DES | B | | CL | F | |
| NEMA-NOM-EFF | 87.5 | | PF | 63 | | | | | | |
| RATING | 40C AMB-CONT | | | | | | | | | |
| CC | 010A | | | | USABLE AT 208V | | | | | |
| DE | 6206 | | | | ODE | 6205 | | | | |
| ENCL | OPSB | | SN | | | | | | | |
| | | | | | | | | | | |

| Parts List | | |
|-------------|--|----------|
| Part Number | Description | Quantity |
| SA379358 | SA 36-0000-0311 | 1.000 EA |
| RA369352 | RA 36-0000-0311 | 1.000 EA |
| LB1115N | LABEL,LIFTING DEVICE (ON ROLLS) | 1.000 EA |
| LC0005E01 | CONN.DIA./WARNING LABEL (LC0005/LB1119N) | 1.000 EA |
| NP1259L | ALUM SUPER-E UL CSA-EEV CC NEMA PREMIUM | 1.000 EA |
| 85XU0407S04 | 4X1/4 U DRIVE PIN STAINLESS | 2.000 EA |
| MN416A01 | TAG-INSTAL-MAINT no wire (2100/bx) 4/22 | 1.000 EA |
| HW3200A01 | 3/8-16X3/4 I-BLT WELDED F/S | 1.000 EA |
| MJ1000A02 | GREASE, MOBIL POLYREX EM - 124047 | 0.050 LB |
| HA3101A28 | THRUBOLT 1/4-20 X 12.500 OHIO ROD | 4.000 EA |
| 36EP3204B00 | MASTER ODE,205 BRG,GRSR | 1.000 EA |
| HW5100A05 | WVY WSHR F/205 & 304 BRGS | 1.000 EA |
| HW4500A01 | 1641B(ALEMITE)400 UNIV, GREASE FITT | 1.000 EA |
| 36EP3403A03 | PU E.P., TC, OPEN, 206 BRG, LESS TIGHT S | 1.000 EA |
| 10XN2520A28 | 1/4-20X 1 3/4 HEX HD | 4.000 EA |
| HW1001A25 | LOCKWASHER 1/4, ZINC PLT .493 OD, .255 I | 4.000 EA |
| HW4500A01 | 1641B(ALEMITE)400 UNIV, GREASE FITT | 1.000 EA |
| 36CB3004 | 36 CB CASTING W/1.09 DIA LEAD HOLE @ 6:0 | 1.000 EA |
| 51XB1016A08 | 10-16X 1/2HXWSSLD SERTYB | 2.000 EA |
| HW3001B02 | BRASS CUP WASHER W/GROUND SYMBOL TAB, | 1.000 EA |
| 11XW1032G06 | 10-32 X .38, TAPTITE II, HEX WSHR SLTD U | 1.000 EA |
| 36CB4516 | 750LIPPED CB LID - GALVANNEAL | 1.000 EA |
| 51XW0832A07 | 8-32 X .44, TAPTITE II, HEX WSHR SLTD SE | 4.000 EA |
| 36AD2004B01 | BAFFLE PLATE,MOD 36-SLTD BAND MTRS | 1.000 EA |

| Parts List (continued) | | |
|-------------------------------|---|-----------------|
| Part Number | Description | Quantity |
| 36AD2004B01 | BAFFLE PLATE,MOD 36-SLTD BAND MTRS | 1.000 EA |
| MG1000Y03 | MUNSELL 2.53Y 6.70/ 4.60, GLOSS 20, | 0.022 GA |
| 36PA1001 | PKG GRP, PRINT PK1017A06 | 1.000 EA |
| HW2501E19 | STD SQUARE KEY .25 SQUARE X 2.125 LONG | 1.000 EA |
| HA7000A02 | KEY RETAINER RING, 1 1/8 DIA, 1 3/8 DIA | 1.000 EA |
| FE-0000001 | ZRTG FE ASSEMBLY | 1.000 EA |
| PE-0000001 | ZRTG PE ASSEMBLY | 1.000 EA |

AC Induction Motor Performance Data

Record # 53374

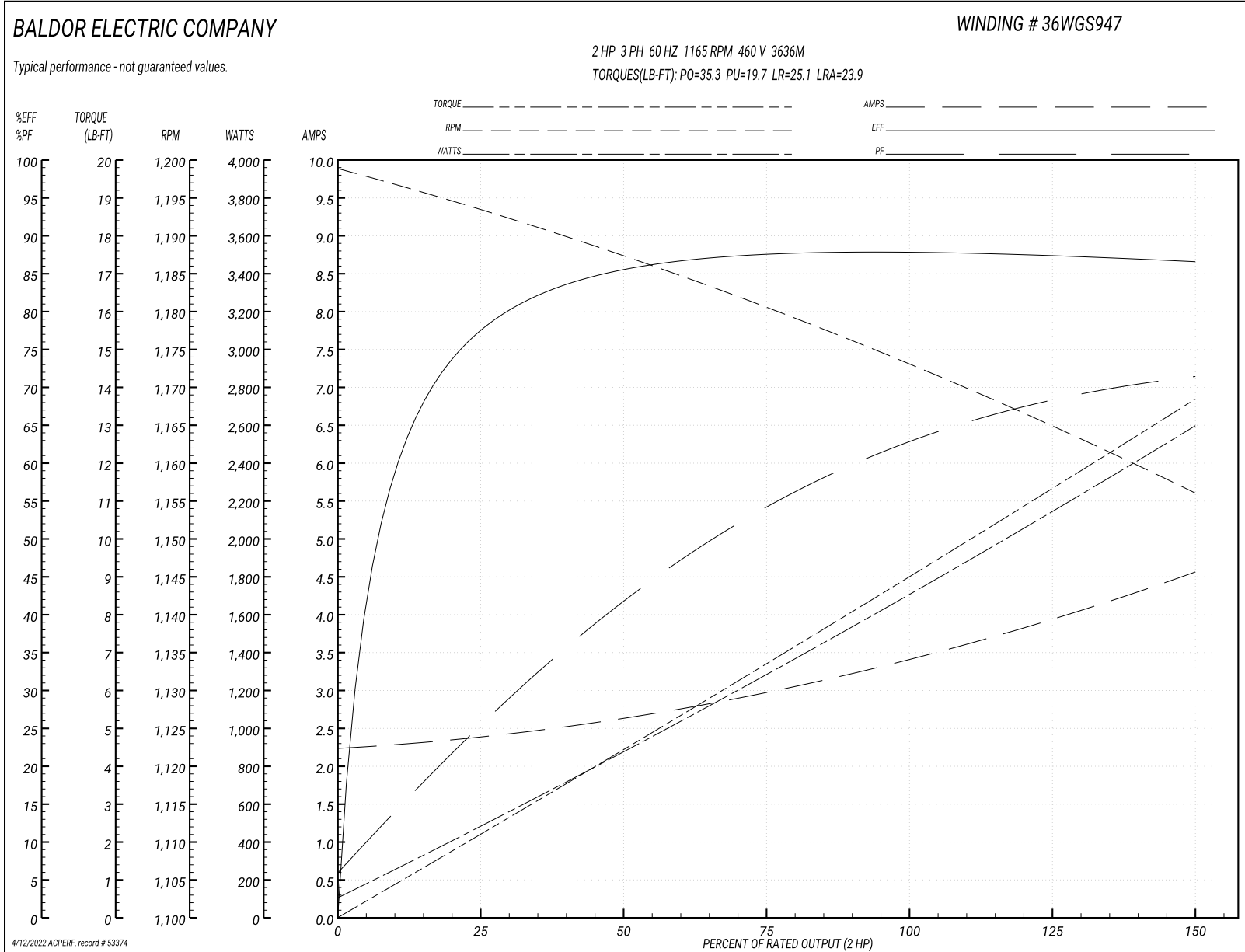
Typical performance - not guaranteed values

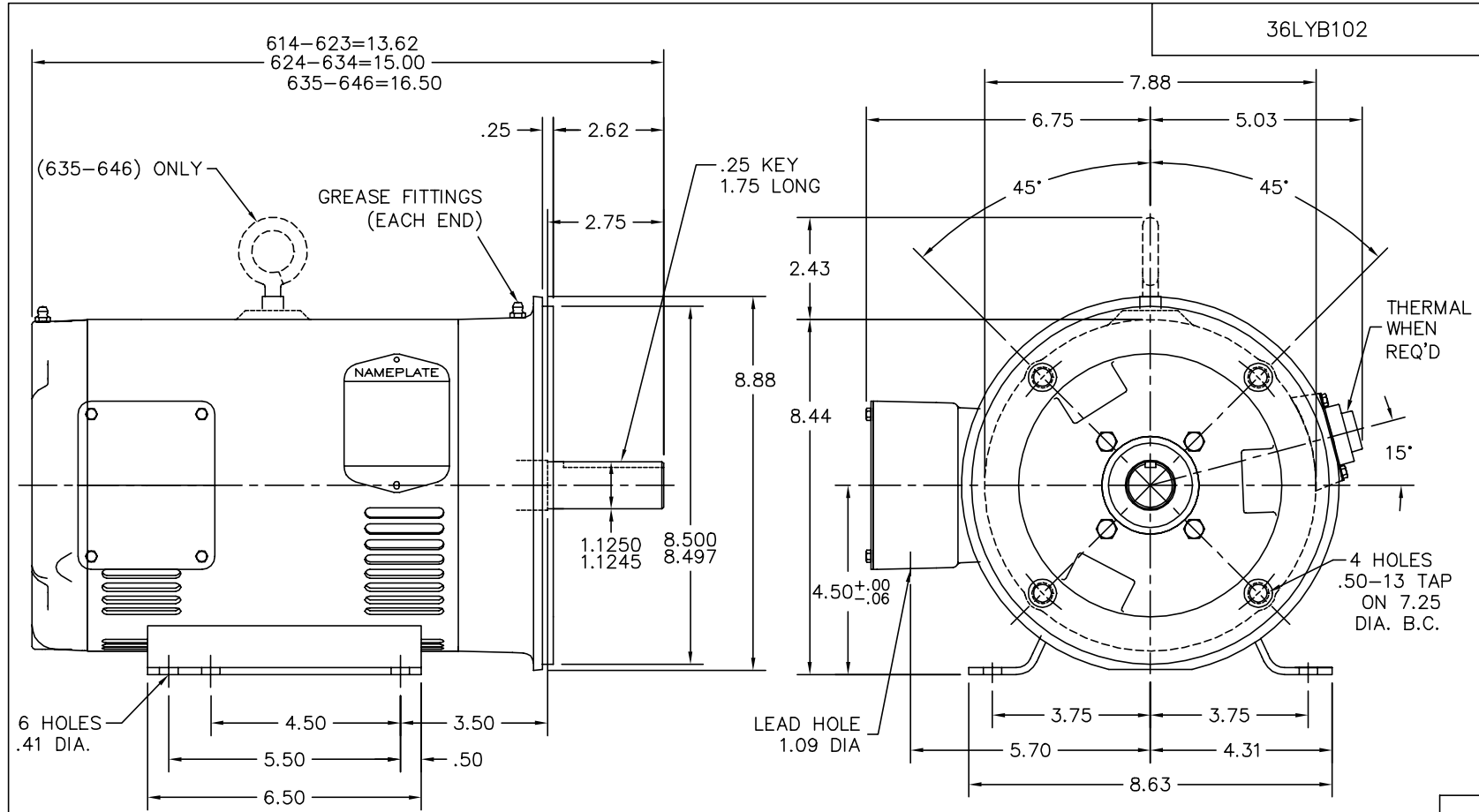
| Winding: 36WGS947-R006 | | Type: 3636M | | Enclosure: OPSB | |
|-------------------------------|--------------------------|----------------------------|--|------------------------|--|
| Nameplate Data | | | 460 V, 60 Hz: High Voltage Connection | | |
| Rated Output (HP) | 2 | Full Load Torque | 9.01 LB-FT | | |
| Volts | 230/460 | Start Configuration | direct on line | | |
| Full Load Amps | 6.8/3.4 | Breakdown Torque | 35.3 LB-FT | | |
| R.P.M. | 1165 | Pull-up Torque | 19.7 LB-FT | | |
| Hz | 60 Phase | 3 | Locked-rotor Torque | 25.1 LB-FT | |
| NEMA Design Code | B KVA Code | L | Starting Current | 23.9 A | |
| Service Factor (S.F.) | 1.15 | | No-load Current | 2.26 A | |
| NEMA Nom. Eff. | 87.5 Power Factor | 63 | Line-line Res. @ 25°C | 4.9075 Ω | |
| Rating - Duty | 40C AMB-CONT | | Temp. Rise @ Rated Load | 24°C | |
| S.F. Amps | | | Temp. Rise @ S.F. Load | 28°C | |

Load Characteristics 460 V, 60 Hz, 2 HP

| % of Rated Load | 25 | 50 | 75 | 100 | 125 | 150 | S.F. |
|------------------------|-----------|-----------|-----------|------------|------------|------------|-------------|
| Power Factor | 27 | 43 | 55 | 62 | 68 | 72 | 66 |
| Efficiency | 77.9 | 85.5 | 87.6 | 88 | 87.6 | 86.8 | 87.8 |
| Speed | 1193.3 | 1187 | 1180.2 | 1173.2 | 1165.2 | 1155.9 | 1168 |
| Line amperes | 2.37 | 2.62 | 2.99 | 3.43 | 3.96 | 4.54 | 3.75 |

Performance Graph at 460V, 60Hz, 2.0HP Typical performance - Not guaranteed values





CUSTOMER IS RESPONSIBLE FOR DETERMINING THAT BALDOR'S PRODUCT WILL PERFORM SUITABLY IN THE INTENDED APPLICATION.

| | | |
|---|------------------------------|-------------------|
| REV. DESC: CHANGE FREP: WAS 36EP3200A01 NOW 36EP3204B00 | | |
| REV. LTR: E | VERSION: 01 | TDR: 000001082399 |
| FILE: \AAA\00048\653 | REVISED: 09:54:43 04/02/2019 | BY: FGCHAH1 |
| MTL: - | ⊙ ⊠ | |

BALDOR - RELIANCE®

HORZ 182-4TC OPSB 36M

SH 1 of 1

36LYB102

CD0005

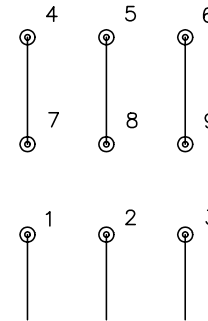


LOW VOLTAGE
(2Y)



LINE

HIGH VOLTAGE
(1Y)



LINE

NOTES:

1. INTERCHANGE ANY TWO LINE LEADS TO REVERSE ROTATION.
2. OPTIONAL THERMOSTATS ARE PROVIDED WHEN SPECIFIED.
3. ACTUAL NUMBER OF INTERNAL PARALLEL CIRCUITS MAY BE A MULTIPLE OF THOSE SHOWN ABOVE.
4. LEAD COLORS ARE OPTIONAL. LEADS MUST ALWAYS BE NUMBERED AS SHOWN.

| | | | |
|---|---------|-------------------------|--------------|
| REV. DESC: REVISE TO SHOW OPTIONAL COLORS | | | |
| REV. LTR: E | BY: JLP | REVISED: 01/19/99 10:15 | TDR: 0171435 |
| 900000 | | FILE: AAA00005140 | MDL: - |
| | | MTL: - | |

BALDOR ELECTRIC Co.

3PH, DV, 9 LEADS

CD0005

Marketing maintained PDF of MN416:

<http://www.baldor.com/support/Literature/Load.ashx/MN416?ManNumber=MN416>