

BALDOR® • RELIANCE 

Product Information Packet

CEM3219T

7.5HP,3450RPM,3PH,60HZ,184TC,3632M,OPSB

Part Detail							
Revision:	P	Status:	PRD/A	Change #:		Proprietary:	No
Type:	AC	Elec. Spec:	36WGS516	CD Diagram:	CD0005	Mfg Plant:	
Mech. Spec:	36B102	Layout:	36LYB102	Poles:	02	Created Date:	07-30-2010
Base:	RG	Eff. Date:	03-27-2019	Leads:	9#16		

Specs			
Catalog Number:	CEM3219T	Heater Indicator:	No Heater
Enclosure:	OPSB	Insulation Class:	F
Frame:	184TC	Inverter Code:	Not Inverter
Frame Material:	Steel	KVA Code:	L
Output @ Frequency:	7.500 HP @ 60 HZ	Lifting Lugs:	No Lifting Lugs
Synchronous Speed @ Frequency:	3600 RPM @ 60 HZ	Locked Bearing Indicator:	Locked Bearing
Voltage @ Frequency:	460.0 V @ 60 HZ	Motor Lead Quantity/Wire Size:	9 @ 16 AWG
	230.0 V @ 60 HZ	Motor Lead Exit:	Ko Box
XP Class and Group:	None	Motor Lead Termination:	Flying Leads
XP Division:	Not Applicable	Motor Type:	3632M
Agency Approvals:	UR	Mounting Arrangement:	F1
	CSA EEV	Power Factor:	89
	CSA	Product Family:	General Purpose
Auxillary Box:	No Auxillary Box	Pulley End Bearing Type:	Ball
Auxillary Box Lead Termination:	None	Pulley Face Code:	C-Face
Base Indicator:	Rigid	Pulley Shaft Indicator:	Standard
Bearing Grease Type:	Polyrex EM (-20F +300F)	Rodent Screen:	None
Blower:	None	Shaft Extension Location:	Pulley End

Current @ Voltage:	17.200 A @ 230.0 V	Shaft Ground Indicator:	No Shaft Grounding
	18.000 A @ 208.0 V	Shaft Rotation:	Reversible
	8.600 A @ 460.0 V	Shaft Slinger Indicator:	No Slinger
Design Code:	A	Speed Code:	Single Speed
Drip Cover:	No Drip Cover	Motor Standards:	NEMA
Duty Rating:	CONT	Starting Method:	Direct on line
Electrically Isolated Bearing:	Not Electrically Isolated	Thermal Device - Bearing:	None
Feedback Device:	NO FEEDBACK	Thermal Device - Winding:	None
Front Face Code:	Standard	Vibration Sensor Indicator:	No Vibration Sensor
Front Shaft Indicator:	None	Winding Thermal 1:	None
		Winding Thermal 2:	None

Nameplate NP3553LUA

CAT.NO.	CEM3219T							
SPEC.	36B102S516G1							
HP	7.5							
VOLTS	230/460							
AMPS	17.2/8.6							
RPM	3450							
FRAME	184TC		HZ	60		PH	3	
SF	1.15		CODE	L	DES	A	CLASS	F
NEMA NOM. EFF	88.5		PF	89				
RATING	40C AMB-CONT							
CC	010A		USABLE AT 208V				18	
DE	6206		ODE	6205				
ENCL	OPSB		SN					
VPWM INVERTER READY								
CT30-60(2:1) VT3-60(20:1)								
USABLE AT	50HZ 7.5HP 190/380V 20.8/10.4A						SF1.0	

Parts List		
Part Number	Description	Quantity
SA200636	SA 36B102S516G1	1.000 EA
RA187947	RA 36B102S516G1	1.000 EA
36CB3004	36 CB CASTING W/1.09 DIA LEAD HOLE @ 6:0	1.000 EA
51XB1016A07	10-16 X 7/16 HXWSSLD SERTYB	2.000 EA
11XW1032G06	10-32 X .38, TAPTITE II, HEX WSHR SLTD U	1.000 EA
HW3001B01	BRASS CUP WASHER, FOR #10 SCREW	1.000 EA
36EP3204B00	MASTER ODE,205 BRG,GRSR	1.000 EA
HW4500A01	1641B(ALEMITE)400 UNIV, GREASE FITT	1.000 EA
HW5100A05	WVY WSHR F/205 & 304 BRGS	1.000 EA
36EP3403A02	PU ENDPLATE, MACH	1.000 EA
HW4500A01	1641B(ALEMITE)400 UNIV, GREASE FITT	1.000 EA
10XN2520A28	1/4-20X 1 3/4 HEX HD	4.000 EA
HW1001A25	LOCKWASHER 1/4, ZINC PLT .493 OD, .255 I	4.000 EA
36CB4516	750LIPPED CB LID - GALVANNEAL	1.000 EA
51XW0832A07	8-32 X .44, TAPTITE II, HEX WSHR SLTD SE	4.000 EA
HW2501E16	KEY, 1/4 SQ X 1.750	1.000 EA
HA7000A02	KEY RETAINER RING, 1 1/8 DIA, 1 3/8 DIA	1.000 EA
85XU0407S04	4X1/4 U DRIVE PIN STAINLESS	2.000 EA
MJ1000A02	GREASE, MOBIL POLYREX EM - 124047	0.050 LB
MG1000Y03	MUNSELL 2.53Y 6.70/ 4.60, GLOSS 20,	0.022 GA
HA3101A25	THRUBOLT 1/4-20 X 11.000 OHIO ROD	4.000 EA
36AD2004A01	BAFFLE PLATE,MOD 36-SLTD BAND MTRS DELTA	2.000 EA
LC0005E01	CONN.DIA./WARNING LABEL (LC0005/LB1119N)	1.000 EA
NP3553LUA	ALUM SUPER-E VPWM INVERTER READY UL	1.000 EA

Parts List (continued)		
Part Number	Description	Quantity
36PA1000	PKG GRP, PRINT PK1016A06	1.000 EA
MN416A01	TAG-INSTAL-MAINT no wire (2100/bx) 4/22	1.000 EA
FE-0000001	ZRTG FE ASSEMBLY	1.000 EA

AC Induction Motor Performance Data

Record # 51132

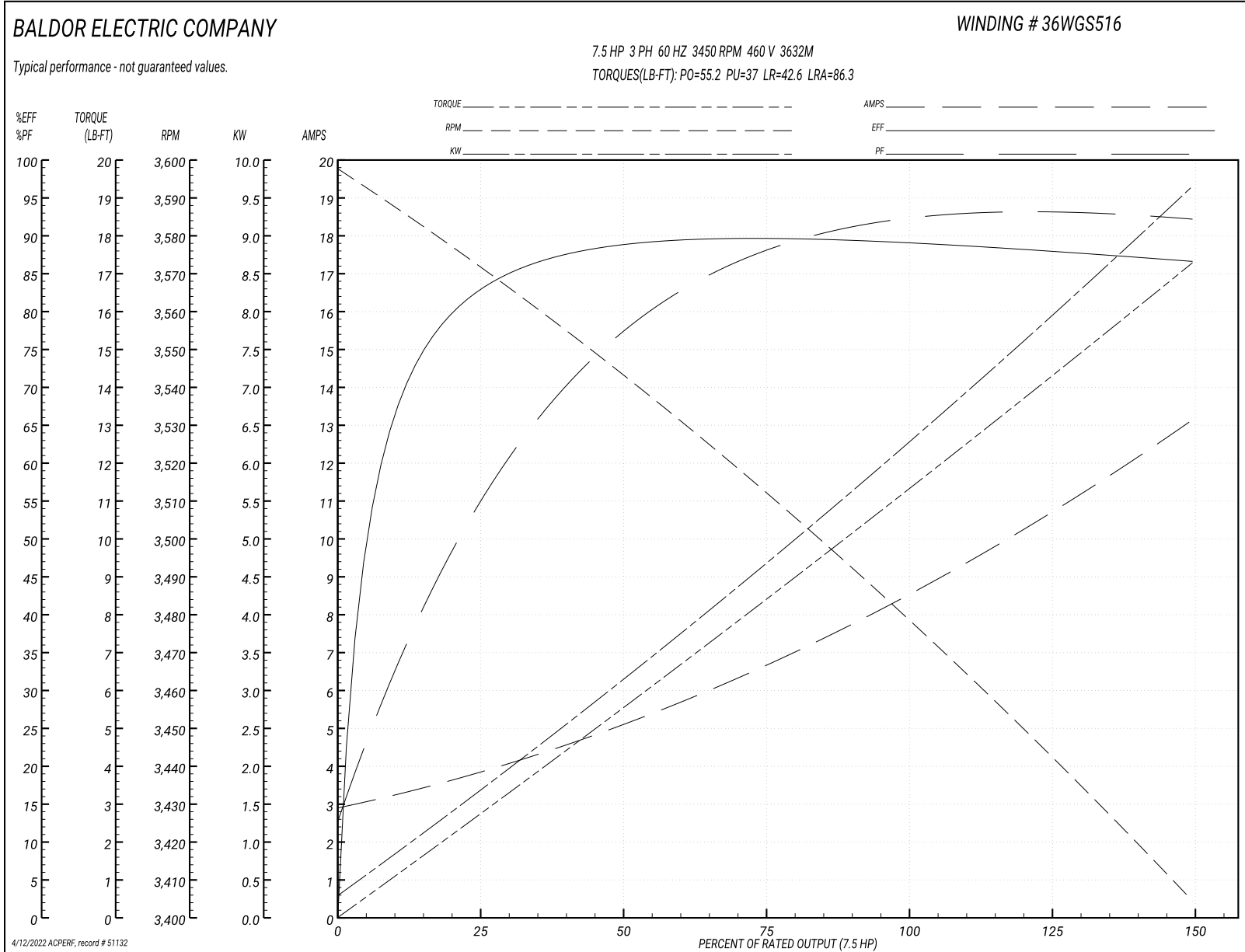
Typical performance - not guaranteed values

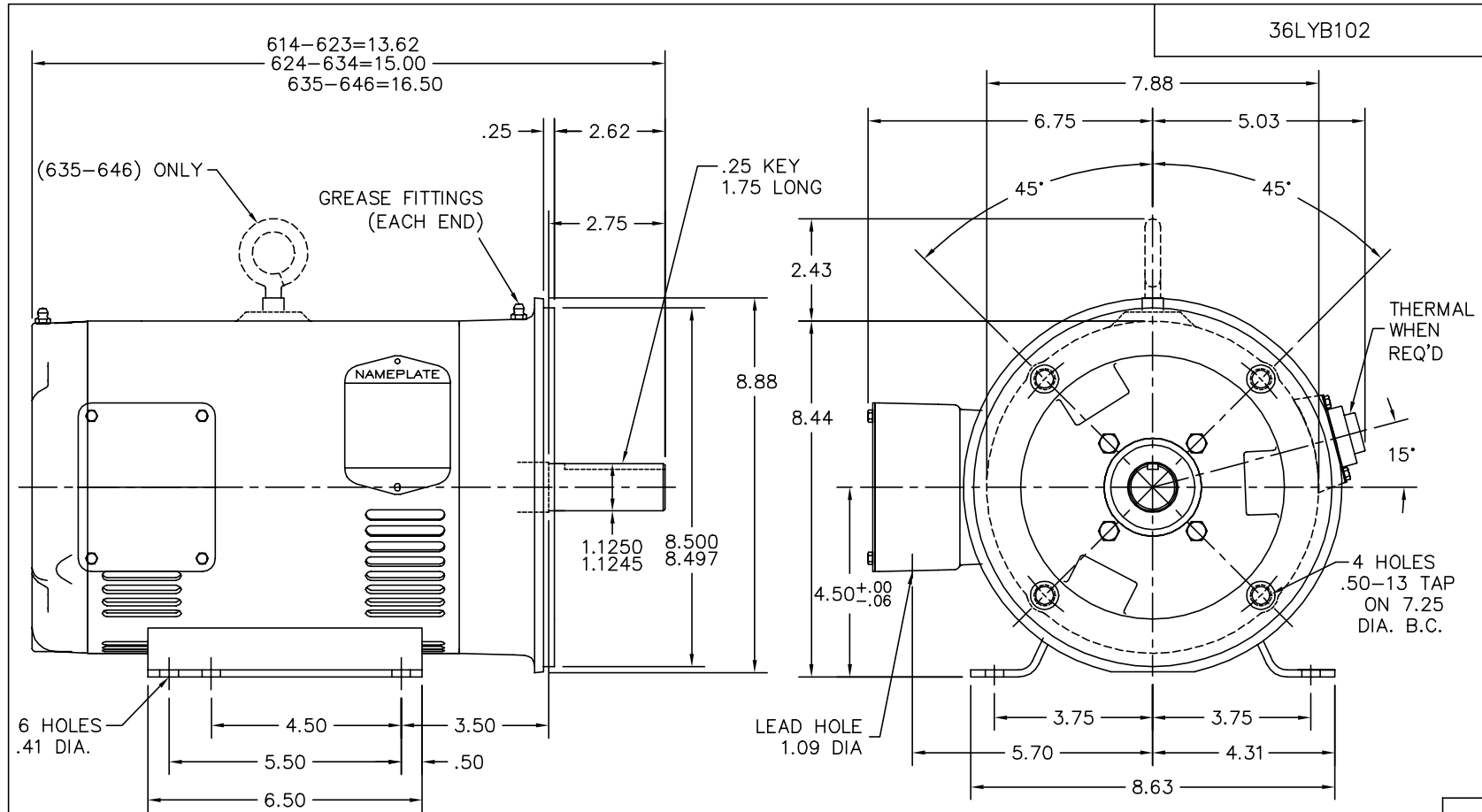
Winding: 36WGS516-R012		Type: 3632M		Enclosure: ODP	
Nameplate Data			460 V, 60 Hz: High Voltage Connection		
Rated Output (HP)	7.5	Full Load Torque	11.3 LB-FT		
Volts	230/460	Start Configuration	direct on line		
Full Load Amps	17.2/8.6	Breakdown Torque	55.2 LB-FT		
R.P.M.	3450	Pull-up Torque	37 LB-FT		
Hz	60 Phase	3	Locked-rotor Torque	42.6 LB-FT	
NEMA Design Code	A KVA Code	L	Starting Current	86.3 A	
Service Factor (S.F.)	1.15	No-load Current	3.02 A		
NEMA Nom. Eff.	88.5 Power Factor	89	Line-line Res. @ 25°C	1.59 Ω	
Rating - Duty	40C AMB-CONT	Temp. Rise @ Rated Load	43°C		
S.F. Amps		Temp. Rise @ S.F. Load	53°C		
		Locked-rotor Power Factor	47.4		
		Rotor inertia	0.143 LB-FT ²		

Load Characteristics 460 V, 60 Hz, 7.5 HP

% of Rated Load	25	50	75	100	125	150	S.F.
Power Factor	57	80	87	91	93	93	92
Efficiency	82.2	88.2	89.5	89.4	88.4	86.4	88.8
Speed	3572	3543	3513	3479	3443	3404	3457
Line amperes	3.68	4.98	6.72	8.63	10.7	13.1	9.87

Performance Graph at 460V, 60Hz, 7.5HP Typical performance - Not guaranteed values





CUSTOMER IS RESPONSIBLE FOR DETERMINING THAT BALDOR'S PRODUCT WILL PERFORM SUITABLY IN THE INTENDED APPLICATION.

REV. DESC: CHANGE FREP: WAS 36EP3200A01 NOW 36EP3204B00		
REV. LTR: E	VERSION: 01	TDR: 000001082399
FILE: \AAA\00048\653	REVISED: 09: 54: 43 04/02/2019	BY: FGCHAH1
MTL: -	⊙ ⊠	

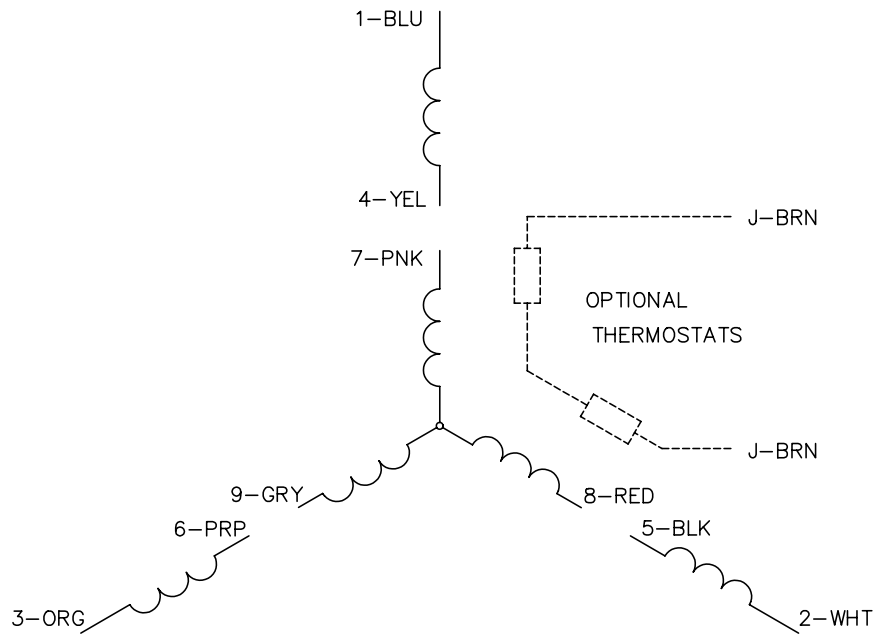
BALDOR - RELIANCE®

HORZ 182-4TC OPSB 36M

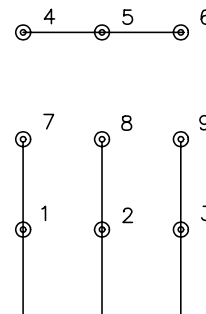
SH 1 of 1

36LYB102

CD0005

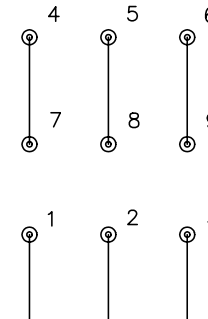


LOW VOLTAGE
(2Y)



LINE

HIGH VOLTAGE
(1Y)



LINE

NOTES:

1. INTERCHANGE ANY TWO LINE LEADS TO REVERSE ROTATION.
2. OPTIONAL THERMOSTATS ARE PROVIDED WHEN SPECIFIED.
3. ACTUAL NUMBER OF INTERNAL PARALLEL CIRCUITS MAY BE A MULTIPLE OF THOSE SHOWN ABOVE.
4. LEAD COLORS ARE OPTIONAL. LEADS MUST ALWAYS BE NUMBERED AS SHOWN.

REV. DESC: REVISE TO SHOW OPTIONAL COLORS			
REV. LTR: E	BY: JLP	REVISED: 01/19/99 10:15	TDR: 0171435
90000		FILE: AAA00005140	MDL: -
		MTL: -	

BALDOR ELECTRIC Co.

3PH, DV, 9 LEADS

CD0005