

BALDOR® • RELIANCE 

Product Information Packet

CEM3305T-G

3HP, 1165RPM, 3PH, 60HZ, 213TC, 3734M, OPSB, F1

Part Detail							
Revision:	C	Status:	PRD/A	Change #:		Proprietary:	No
Type:	AC	Elec. Spec:	37WGR333	CD Diagram:	CD0005	Mfg Plant:	
Mech. Spec:		Layout:	37LYK447	Poles:	06	Created Date:	02-24-2020
Base:		Eff. Date:	11-11-2021	Leads:	9#14		

Specs			
Catalog Number:	CEM3305T-G	Feedback Device:	NO FEEDBACK
Enclosure:	OPSB	Heater Indicator:	No Heater
Frame:	213TC	Insulation Class:	H
Frame Material:	Steel	Inverter Code:	Inverter Ready
Output @ Frequency:	3.000 HP @ 60 HZ	IP Rating:	NONE
Synchronous Speed @ Frequency:	1200 RPM @ 60 HZ	KVA Code:	K
Voltage @ Frequency:	460.0 V @ 60 HZ	Lifting Lugs:	Standard Lifting Lugs
	230.0 V @ 60 HZ	Locked Bearing Indicator:	Locked Bearing
XP Class and Group:	None	Motor Lead Termination:	Flying Leads
XP Division:	Not Applicable	Motor Type:	3734M
Agency Approvals:	CSA	Mounting Arrangement:	F1
	CSA EEV	Power Factor:	70
	UR	Product Family:	General Purpose
Auxillary Box:	No Auxillary Box	Pulley Face Code:	C-Face
Auxillary Box Lead Termination:	None	Rodent Screen:	None
Base Indicator:	Rigid	Shaft Ground Indicator:	Shaft Grounding
Bearing Grease Type:	Polyrex EM (-20F +300F)	Shaft Rotation:	Reversible
Blower:	None	Speed Code:	Single Speed

Current @ Voltage:	4.500 A @ 460.0 V	Motor Standards:	NEMA
	9.000 A @ 230.0 V	Starting Method:	Direct on line
Design Code:	B	Thermal Device - Bearing:	None
Drip Cover:	No Drip Cover	Thermal Device - Winding:	None
Duty Rating:	CONT	Vibration Sensor Indicator:	No Vibration Sensor
Electrically Isolated Bearing:	Not Electrically Isolated	Winding Thermal 1:	None
Enclosure Modification:	Severe Duty Features	Winding Thermal 2:	None

Nameplate NP3553LUA										
CAT.NO.	CEM3305T-G									
SPEC.	37-0000-0218									
HP	3									
VOLTS	230/460									
AMPS	9/4.5									
RPM	1165									
FRAME	213TC				HZ	60			PH	3
SF	1.15		CODE	K	DES	B		CLASS	H	
NEMA NOM. EFF	88.5		PF	70						
RATING	40C AMB-CONT									
CC	010A				USABLE AT 208V					
DE	6307				ODE	6206				
ENCL	OPSB		SN							
VPWM INVERTER READY										
CT30-60(2:1) VT3-60(20:1)										
USABLE AT										

Parts List		
Part Number	Description	Quantity
SA379359	SA 37-0000-0218	1.000 EA
RA369353	RA 37-0000-0218	1.000 EA
LC0005E01	CONN.DIA./WARNING LABEL (LC0005/LB1119N)	1.000 EA
NP3553LUA	ALUM SUPER-E VPWM INVERTER READY UL	1.000 EA
85XU0407S04	4X1/4 U DRIVE PIN STAINLESS	2.000 EA
MN416A01	TAG-INSTAL-MAINT no wire (2100/bx) 4/22	1.000 EA
HA6361A01	LIFTING LUG FOR 37, 39 & 40 FRAME ZINC	2.000 EA
MJ1000A02	GREASE, MOBIL POLYREX EM - 124047	0.050 LB
HA3104A27	THRUBOLT 5/16 18 X 12.438 X	4.000 EA
LB1459	AEGIS SGR LABEL "AEGISLBL-100"	1.000 EA
XY3118A12	5/16-18 HEX NUT DIRECTIONAL SERRATION	4.000 EA
37EP3203A00	MASTER,ODE,206 BRG,GREASER	1.000 EA
HW5100A06	W2420-025 WVY WSHR (WB)	1.000 EA
HW4500A01	1641B(ALEMITE)400 UNIV, GREASE FITT	1.000 EA
37EP3400A01	FACE MT EP-OPEN-307 BRG-213-215TC W/GREA	1.000 EA
10XN2520A30	HEX HD CAP SCREW-STD THD-.25 X 20 THD PE	4.000 EA
HW1001A25	LOCKWASHER 1/4, ZINC PLT .493 OD, .255 I	4.000 EA
FE-0000001	ZRTG FE ASSEMBLY	1.000 EA
HW4500A01	1641B(ALEMITE)400 UNIV, GREASE FITT	1.000 EA
37CB3006	37 CB CASTING W/1.38 LEAD HOLE @ 6:00	1.000 EA
51XW2520A10	.25-20 X .62, TAPTITE II, HEX WSHR SLTD	2.000 EA
11XW1032G06	10-32 X .38, TAPTITE II, HEX WSHR SLTD U	1.000 EA
37CB4516	LIPPED LID FOR 37 FRAME NEC KOBX	1.000 EA
51XW0832A07	8-32 X .44, TAPTITE II, HEX WSHR SLTD SE	4.000 EA

Parts List (continued)		
Part Number	Description	Quantity
37AD2001A01	BAFFLE PLATE, PLASTIC 0.63" WIDTH	1.000 EA
37AD2001A01	BAFFLE PLATE, PLASTIC 0.63" WIDTH	1.000 EA
MG1000Y03	MUNSELL 2.53Y 6.70/ 4.60, GLOSS 20,	0.022 GA
37PA1074	PALLET PACK GRP, PRINT BOX PK1026A06	1.000 EA
HW2501F21	KEY, 5/16 SQ X 2.375	1.000 EA
HA7000A02	KEY RETAINER RING, 1 1/8 DIA, 1 3/8 DIA	1.000 EA

AC Induction Motor Performance Data

Record # 53382

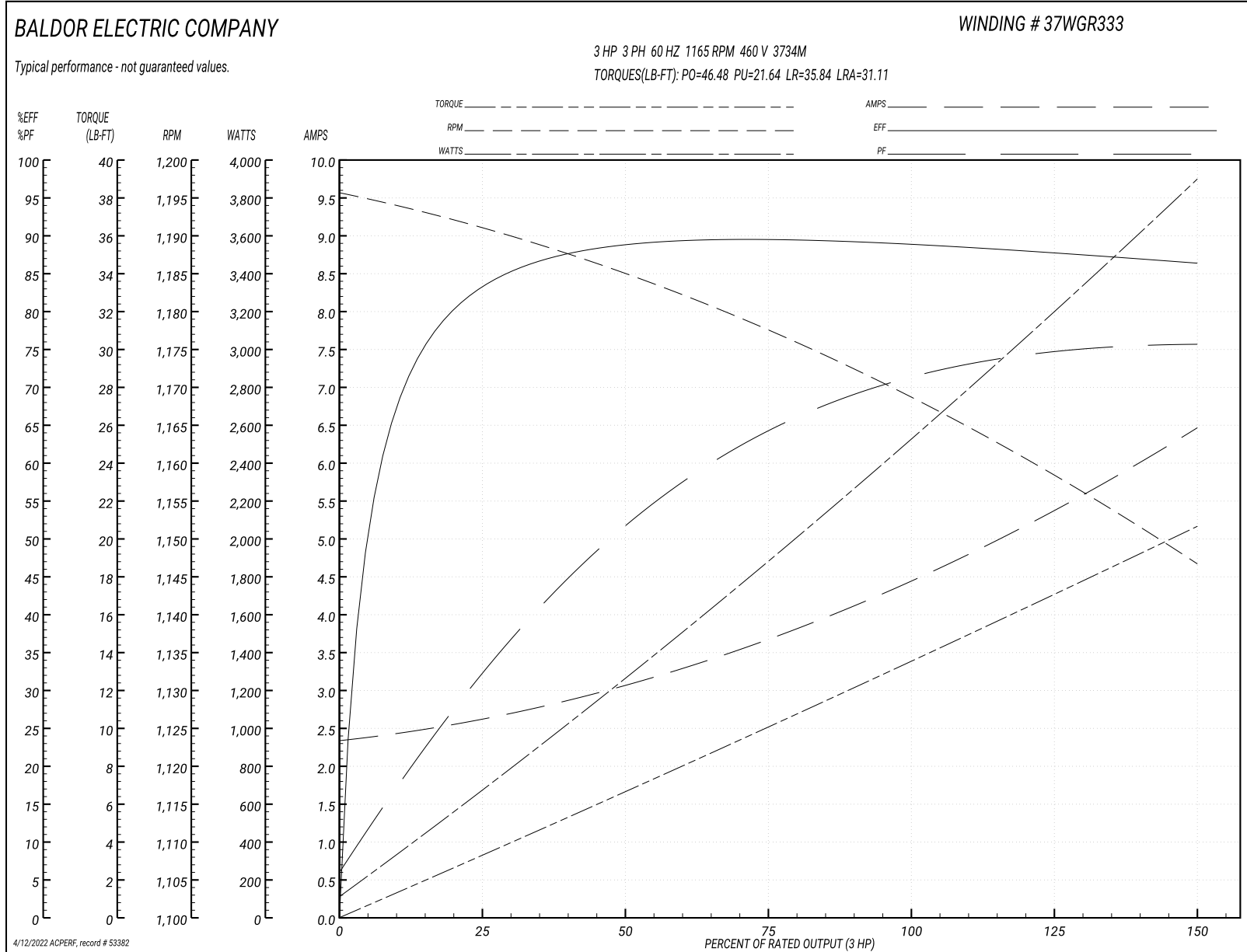
Typical performance - not guaranteed values

Winding: 37WGR333-R006		Type: 3734M		Enclosure: OPSB	
Nameplate Data			460 V, 60 Hz: High Voltage Connection		
Rated Output (HP)	3	Full Load Torque	13.59 LB-FT		
Volts	230/460	Start Configuration	direct on line		
Full Load Amps	9/4.5	Breakdown Torque	46.48 LB-FT		
R.P.M.	1165	Pull-up Torque	21.64 LB-FT		
Hz	60 Phase	3	Locked-rotor Torque	35.84 LB-FT	
NEMA Design Code	B KVA Code	K	Starting Current	31.11 A	
Service Factor (S.F.)	1.15	No-load Current	2.38 A		
NEMA Nom. Eff.	88.5 Power Factor	71	Line-line Res. @ 25°C	3.48 Ω	
Rating - Duty	40C AMB-CONT	Temp. Rise @ Rated Load	20°C		
S.F. Amps		Temp. Rise @ S.F. Load	24°C		
		Locked-rotor Power Factor	25.2		
		Rotor inertia	0.846 LB-FT ²		

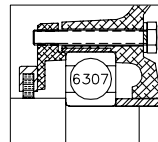
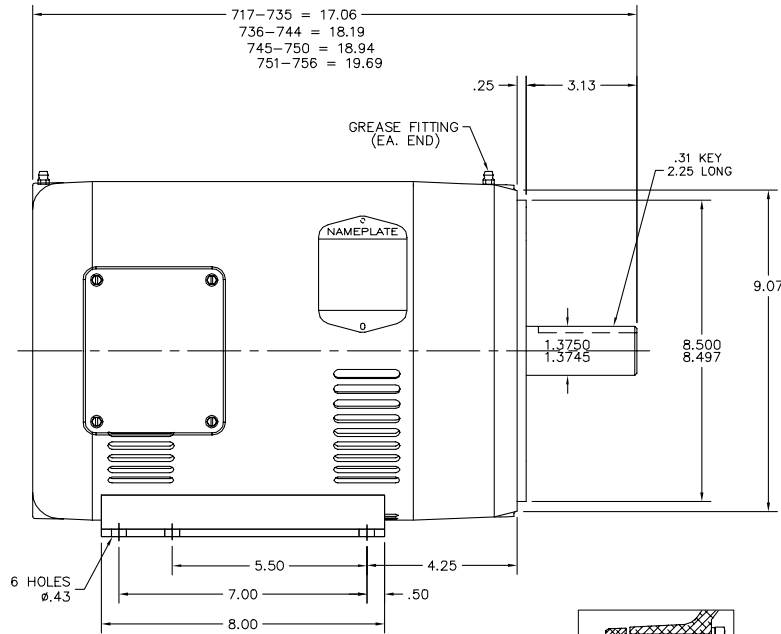
Load Characteristics 460 V, 60 Hz, 3 HP

% of Rated Load	25	50	75	100	125	150	S.F.
Power Factor	34	53	64	71	74	76	73
Efficiency	82.9	88.4	89.4	88.9	88	86.1	88.4
Speed	1192	1185	1177	1168	1158	1147	1161
Line amperes	2.57	3.06	3.73	4.49	5.41	6.45	5.04

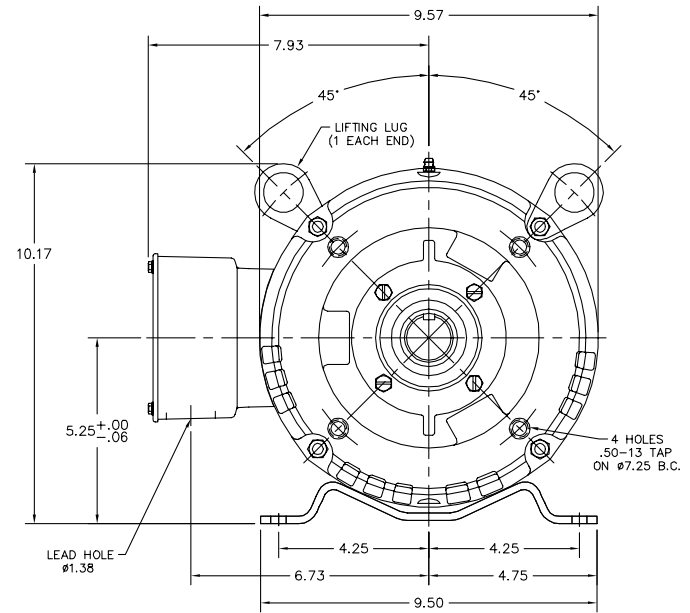
Performance Graph at 460V, 60Hz, 3.0HP Typical performance - Not guaranteed values



37LYK447



PU END DETAIL



CUSTOMER IS RESPONSIBLE FOR DETERMINING THAT BALDOR'S PRODUCT WILL PERFORM SUITABLY IN THE INTENDED APPLICATION.

REV. DESC: NEW	VERSION: 00	TDR: 00000587609
REV. LTR: -	REVISED: 11:22:00 03/31/2011	BY: ENWINBO
FILE: \AAA\00181\023		
MTL: -		

BALDOR

HOR 213-5TC OPSB M W/AEGIS INT SHAFT GND
 SH 1 of 1

37LYK447

CD0005

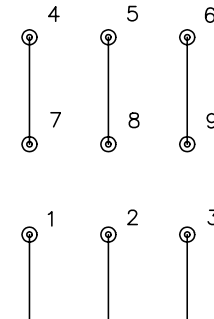


LOW VOLTAGE
(2Y)



LINE

HIGH VOLTAGE
(1Y)



LINE

NOTES:

1. INTERCHANGE ANY TWO LINE LEADS TO REVERSE ROTATION.
2. OPTIONAL THERMOSTATS ARE PROVIDED WHEN SPECIFIED.
3. ACTUAL NUMBER OF INTERNAL PARALLEL CIRCUITS MAY BE A MULTIPLE OF THOSE SHOWN ABOVE.
4. LEAD COLORS ARE OPTIONAL. LEADS MUST ALWAYS BE NUMBERED AS SHOWN.

REV. DESC: REVISE TO SHOW OPTIONAL COLORS			
REV. LTR: E	BY: JLP	REVISED: 01/19/99 10:15	TDR: 0171435
900000		FILE: AAA00005140	MDL: -
		MTL: -	

BALDOR ELECTRIC Co.

3PH, DV, 9 LEADS

CD0005

Marketing maintained PDF of MN416:

<http://www.baldor.com/support/Literature/Load.ashx/MN416?ManNumber=MN416>