

**BALDOR® • RELIANCE** 

**Product Information Packet**

**CEM3305T**

**3HP,1165RPM,3PH,60HZ,213TC,OPSB,F1**

Part Detail							
Revision:	A	Status:	PRD/A	Change #:		Proprietary:	No
Type:	AC	Elec. Spec:	37WGR333	CD Diagram:	CD0005	Mfg Plant:	
Mech. Spec:		Layout:	37LYB102	Poles:	06	Created Date:	02-24-2020
Base:		Eff. Date:	07-16-2020	Leads:	9#14		

Specs			
Catalog Number:	CEM3305T	Feedback Device:	NO FEEDBACK
Enclosure:	OPSB	Heater Indicator:	No Heater
Frame:	213TC	Insulation Class:	F
Frame Material:	Steel	Inverter Code:	Inverter Ready
Output @ Frequency:	3.000 HP @ 60 HZ	IP Rating:	NONE
Synchronous Speed @ Frequency:	1200 RPM @ 60 HZ	KVA Code:	K
Voltage @ Frequency:	460.0 V @ 60 HZ	Lifting Lugs:	Standard Lifting Lugs
	230.0 V @ 60 HZ	Locked Bearing Indicator:	Locked Bearing
XP Class and Group:	None	Motor Lead Termination:	Flying Leads
XP Division:	Not Applicable	Motor Type:	3734M
Agency Approvals:	CSA	Mounting Arrangement:	F1
	CSA EEV	Power Factor:	71
	UR	Product Family:	General Purpose
Auxillary Box:	No Auxillary Box	Pulley Face Code:	C-Face
Auxillary Box Lead Termination:	None	Rodent Screen:	None
Base Indicator:	Rigid	Shaft Ground Indicator:	No Shaft Grounding
Bearing Grease Type:	Polyrex EM (-20F +300F)	Shaft Rotation:	Reversible
Blower:	None	Speed Code:	Single Speed

<b>Current @ Voltage:</b>	4.500 A @ 460.0 V	<b>Motor Standards:</b>	NEMA
	9.000 A @ 230.0 V	<b>Starting Method:</b>	Direct on line
<b>Design Code:</b>	B	<b>Thermal Device - Bearing:</b>	None
<b>Drip Cover:</b>	No Drip Cover	<b>Thermal Device - Winding:</b>	None
<b>Duty Rating:</b>	CONT	<b>Vibration Sensor Indicator:</b>	No Vibration Sensor
<b>Electrically Isolated Bearing:</b>	Not Electrically Isolated	<b>Winding Thermal 1:</b>	None
		<b>Winding Thermal 2:</b>	None

Nameplate NP1259L										
CAT.NO.	CEM3305T									
SPEC.	37-0000-0204									
HP	3									
VOLTS	230/460									
AMP	9/4.5									
RPM	1165									
FRAME	213TC				HZ	60			PH	3
SER.F.	1.15		CODE	K	DES	B		CL	F	
NEMA-NOM-EFF	88.5		PF	71						
RATING	40C AMB-CONT									
CC	010A				USABLE AT 208V					
DE	6307				ODE	6206				
ENCL	OPSB		SN							

Parts List		
Part Number	Description	Quantity
SA379363	SA 37-0000-0204	1.000 EA
RA369357	RA 37-0000-0204	1.000 EA
LC0005E01	CONN.DIA./WARNING LABEL (LC0005/LB1119N)	1.000 EA
NP1259L	ALUM SUPER-E UL CSA-EEV CC NEMA PREMIUM	1.000 EA
85XU0407S04	4X1/4 U DRIVE PIN STAINLESS	2.000 EA
MN416A01	TAG-INSTAL-MAINT no wire (2100/bx) 4/22	1.000 EA
HA6361A01	LIFTING LUG FOR 37, 39 & 40 FRAME ZINC	2.000 EA
MJ1000A02	GREASE, MOBIL POLYREX EM - 124047	0.050 LB
HA3104A27	THRUBOLT 5/16 18 X 12.438 X	4.000 EA
XY3118A12	5/16-18 HEX NUT DIRECTIONAL SERRATION	4.000 EA
37EP3203A00	MASTER,ODE,206 BRG,GREASER	1.000 EA
HW5100A06	W2420-025 WVY WSHR (WB)	1.000 EA
HW4500A01	1641B(ALEMITE)400 UNIV, GREASE FITT	1.000 EA
37EP3400A01	FACE MT EP-OPEN-307 BRG-213-215TC W/GREA	1.000 EA
10XN2520A30	HEX HD CAP SCREW-STD THD-.25 X 20 THD PE	4.000 EA
HW1001A25	LOCKWASHER 1/4, ZINC PLT .493 OD, .255 I	4.000 EA
HW4500A01	1641B(ALEMITE)400 UNIV, GREASE FITT	1.000 EA
37CB3006	37 CB CASTING W/1.38 LEAD HOLE @ 6:00	1.000 EA
51XW2520A10	.25-20 X .62, TAPTITE II, HEX WSHR SLTD	2.000 EA
11XW1032G06	10-32 X .38, TAPTITE II, HEX WSHR SLTD U	1.000 EA
37CB4516	LIPPED LID FOR 37 FRAME NEC KOBX	1.000 EA
51XW0832A07	8-32 X .44, TAPTITE II, HEX WSHR SLTD SE	4.000 EA
37AD2001A01	BAFFLE PLATE, PLASTIC 0.63" WIDTH	1.000 EA
37AD2001A01	BAFFLE PLATE, PLASTIC 0.63" WIDTH	1.000 EA

<b>Parts List (continued)</b>		
<b>Part Number</b>	<b>Description</b>	<b>Quantity</b>
MG1000Y03	MUNSELL 2.53Y 6.70/ 4.60, GLOSS 20,	0.022 GA
G0PA1000	PKG GRP, PRINT PK1026A06	1.000 EA
HW2501F22	KEY, 5/16 SQ X 2.500	1.000 EA
HA7000A02	KEY RETAINER RING, 1 1/8 DIA, 1 3/8 DIA	1.000 EA
FE-0000001	ZRTG FE ASSEMBLY	1.000 EA

**AC Induction Motor Performance Data**

Record # 49691

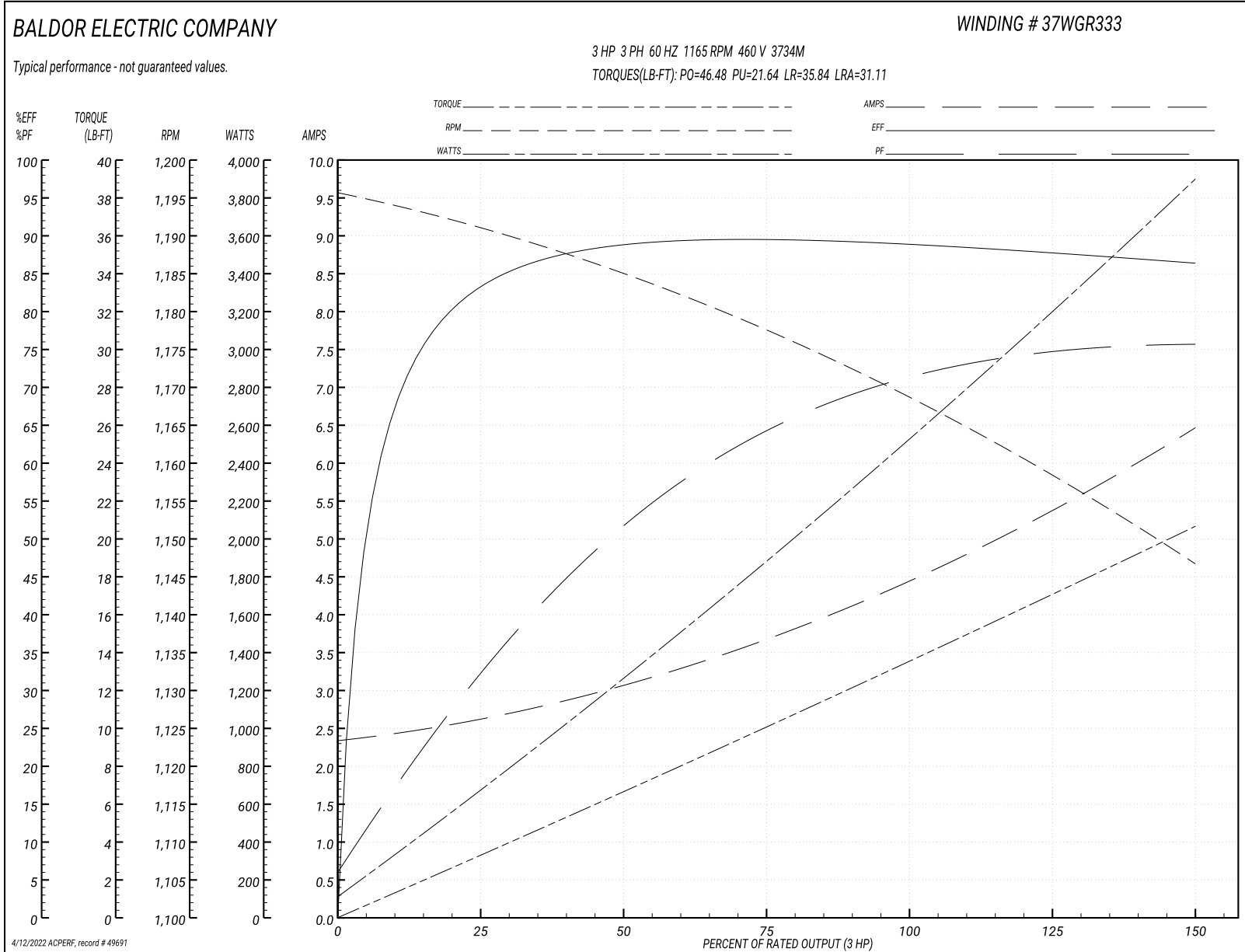
Typical performance - not guaranteed values

<b>Winding: 37WGR333-R005</b>		<b>Type: 3734M</b>		<b>Enclosure: OPSB</b>	
<b>Nameplate Data</b>			<b>460 V, 60 Hz: High Voltage Connection</b>		
<b>Rated Output (HP)</b>	3	<b>Full Load Torque</b>	13.59 LB-FT		
<b>Volts</b>	230/460	<b>Start Configuration</b>	direct on line		
<b>Full Load Amps</b>	9/4.5	<b>Breakdown Torque</b>	46.48 LB-FT		
<b>R.P.M.</b>	1165	<b>Pull-up Torque</b>	21.64 LB-FT		
<b>Hz</b>	60 <b>Phase</b>	3	<b>Locked-rotor Torque</b>	35.84 LB-FT	
<b>NEMA Design Code</b>	<b>B KVA Code</b>	K	<b>Starting Current</b>	31.11 A	
<b>Service Factor (S.F.)</b>	1.15	<b>No-load Current</b>	2.38 A		
<b>NEMA Nom. Eff.</b>	88.5 <b>Power Factor</b>	71	<b>Line-line Res. @ 25°C</b>	3.48 Ω	
<b>Rating - Duty</b>	40C AMB-CONT	<b>Temp. Rise @ Rated Load</b>	20°C		
<b>S.F. Amps</b>		<b>Temp. Rise @ S.F. Load</b>	24°C		
		<b>Locked-rotor Power Factor</b>	25.2		
		<b>Rotor inertia</b>	0.846 LB-FT <sup>2</sup>		

**Load Characteristics 460 V, 60 Hz, 3 HP**

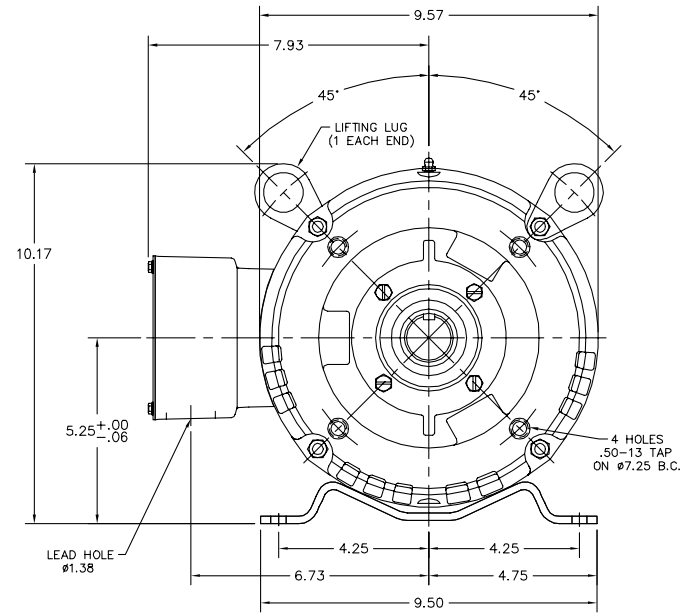
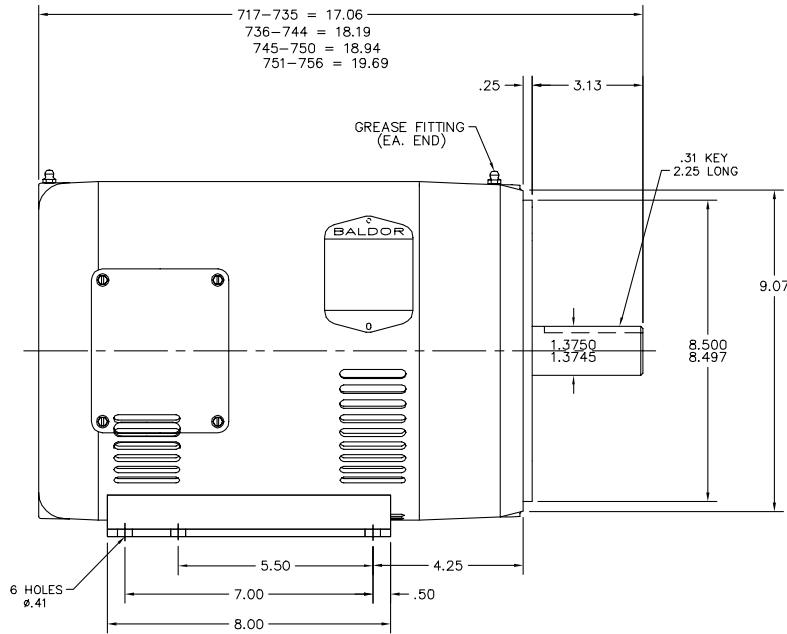
<b>% of Rated Load</b>	<b>25</b>	<b>50</b>	<b>75</b>	<b>100</b>	<b>125</b>	<b>150</b>	<b>S.F.</b>
<b>Power Factor</b>	34	53	64	71	74	76	73
<b>Efficiency</b>	82.9	88.4	89.4	88.9	88	86.1	88.4
<b>Speed</b>	1192	1185	1177	1168	1158	1147	1161
<b>Line amperes</b>	2.57	3.06	3.73	4.49	5.41	6.45	5.04

Performance Graph at 460V, 60Hz, 3.0HP Typical performance - Not guaranteed values





37LYB102



37LYB102

CUSTOMER IS RESPONSIBLE FOR DETERMINING THAT BALDOR'S PRODUCT WILL PERFORM SUITABLY IN THE INTENDED APPLICATION.

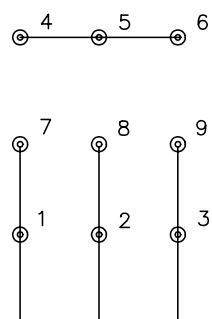
REV. DESC: REPLACE ENDPLATES	VERSION: 02	TDR: 000001018975
REV. LTR: F	REVISED: 10:40:38 04/04/2017	BY: USZAHAR
FILE: \AAA\00045\872		
MTL: -		

**BALDOR**  
 STD HORZ 213-5TC OPSB 37M  
 SH 1 of 1

CD0005

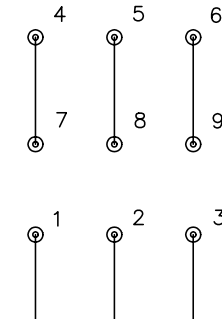


LOW VOLTAGE  
(2Y)



LINE

HIGH VOLTAGE  
(1Y)



LINE

NOTES:

1. INTERCHANGE ANY TWO LINE LEADS TO REVERSE ROTATION.
2. OPTIONAL THERMOSTATS ARE PROVIDED WHEN SPECIFIED.
3. ACTUAL NUMBER OF INTERNAL PARALLEL CIRCUITS MAY BE A MULTIPLE OF THOSE SHOWN ABOVE.
4. LEAD COLORS ARE OPTIONAL. LEADS MUST ALWAYS BE NUMBERED AS SHOWN.

REV. DESC: REVISE TO SHOW OPTIONAL COLORS			
REV. LTR: E	BY: JLP	REVISED: 01/19/99 10:15	TDR: 0171435
9000D		FILE: AAA00005140	MDL: -
		MTL: -	

**BALDOR ELECTRIC Co.**

3PH, DV, 9 LEADS

CD0005

Marketing maintained PDF of MN416:

<http://www.baldor.com/support/Literature/Load.ashx/MN416?ManNumber=MN416>