

**BALDOR® • RELIANCE** 

**Product Information Packet**

**CEM3312T**

**10HP,3500RPM,3PH,60HZ,213TC,3728M,OPSB,F**

Part Detail							
Revision:	-	Status:	PRD/A	Change #:		Proprietary:	No
Type:	AC	Elec. Spec:	37WGL866	CD Diagram:	CD0005	Mfg Plant:	
Mech. Spec:	37B102	Layout:	37LYB102	Poles:	02	Created Date:	02-02-2021
Base:	RG	Eff. Date:	02-21-2021	Leads:	9#14		

Specs			
Catalog Number:	CEM3312T	Insulation Class:	F
Enclosure:	OPSB	Inverter Code:	Inverter Ready
Frame:	213TC	IP Rating:	NONE
Frame Material:	Steel	KVA Code:	H
Output @ Frequency:	10.000 HP @ 60 HZ	Lifting Lugs:	Standard Lifting Lugs
Synchronous Speed @ Frequency:	3600 RPM @ 60 HZ	Locked Bearing Indicator:	Locked Bearing
Voltage @ Frequency:	460.0 V @ 60 HZ	Motor Lead Quantity/Wire Size:	9 @ 14 AWG
	230.0 V @ 60 HZ	Motor Lead Exit:	Ko Box
XP Class and Group:	None	Motor Lead Termination:	Flying Leads
XP Division:	Not Applicable	Motor Type:	3728M
Agency Approvals:	UR	Mounting Arrangement:	F1
	CSA EEV	Power Factor:	85
	CSA	Product Family:	General Purpose
Auxillary Box:	No Auxillary Box	Pulley End Bearing Type:	Ball
Auxillary Box Lead Termination:	None	Pulley Face Code:	C-Face
Base Indicator:	Rigid	Pulley Shaft Indicator:	Standard
Bearing Grease Type:	Polyrex EM (-20F +300F)	Rodent Screen:	None
Blower:	None	Shaft Extension Location:	Pulley End

<b>Current @ Voltage:</b>	12.000 A @ 460.0 V	<b>Shaft Ground Indicator:</b>	No Shaft Grounding
	24.000 A @ 230.0 V	<b>Shaft Rotation:</b>	Reversible
	26.000 A @ 208.0 V	<b>Shaft Slinger Indicator:</b>	No Slinger
<b>Design Code:</b>	B	<b>Speed Code:</b>	Single Speed
<b>Drip Cover:</b>	No Drip Cover	<b>Motor Standards:</b>	NEMA
<b>Duty Rating:</b>	CONT	<b>Starting Method:</b>	Direct on line
<b>Electrically Isolated Bearing:</b>	Not Electrically Isolated	<b>Thermal Device - Bearing:</b>	None
<b>Feedback Device:</b>	NO FEEDBACK	<b>Thermal Device - Winding:</b>	None
<b>Front Face Code:</b>	Standard	<b>Vibration Sensor Indicator:</b>	No Vibration Sensor
<b>Front Shaft Indicator:</b>	None	<b>Winding Thermal 1:</b>	None
<b>Heater Indicator:</b>	No Heater	<b>Winding Thermal 2:</b>	None

Nameplate NP3553LUA

CAT.NO.	CEM3312T							
SPEC.	37B102L866G1							
HP	10							
VOLTS	230/460							
AMPS	24/12							
RPM	3500							
FRAME	213TC		HZ	60		PH	3	
SF	1.15		CODE	H	DES	B	CLASS	F
NEMA NOM. EFF	90.2		PF	85				
RATING	40C AMB-CONT							
CC	010A		USABLE AT 208V			26		
DE	6307		ODE	6206				
ENCL	OPSB		SN					
VPWM INVERTER READY								
CT30-60(2:1) VT3-60(20:1)								
USABLE AT	50HZ 10HP 190/380V 28.4/14.2A						SF1.0	

Parts List		
Part Number	Description	Quantity
SA390877	SA 37B102L866G1	1.000 EA
RA381345	RA 37B102L866G1	1.000 EA
HA6361A01	LIFTING LUG FOR 37, 39 & 40 FRAME ZINC	2.000 EA
37CB3006	37 CB CASTING W/1.38 LEAD HOLE @ 6:00	1.000 EA
51XW2520A10	.25-20 X .62, TAPTITE II, HEX WSHR SLTD	2.000 EA
11XW1032G06	10-32 X .38, TAPTITE II, HEX WSHR SLTD U	1.000 EA
37EP3203A00	MASTER,ODE,206 BRG,GREASER	1.000 EA
HW4500A01	1641B(ALEMITE)400 UNIV, GREASE FITT	1.000 EA
HW5100A06	W2420-025 WVY WSHR (WB)	1.000 EA
37EP3400A01	FACE MT EP-OPEN-307 BRG-213-215TC W/GREA	1.000 EA
HW4500A01	1641B(ALEMITE)400 UNIV, GREASE FITT	1.000 EA
10XN2520A30	HEX HD CAP SCREW-STD THD-.25 X 20 THD PE	4.000 EA
HW1001A25	LOCKWASHER 1/4, ZINC PLT .493 OD, .255 I	4.000 EA
XY3118A12	5/16-18 HEX NUT DIRECTIONAL SERRATION	4.000 EA
37CB4516	LIPPED LID FOR 37 FRAME NEC KOBX	1.000 EA
51XW0832A07	8-32 X .44, TAPTITE II, HEX WSHR SLTD SE	4.000 EA
HW2501F21	KEY, 5/16 SQ X 2.375	1.000 EA
HA7000A02	KEY RETAINER RING, 1 1/8 DIA, 1 3/8 DIA	1.000 EA
85XU0407S04	4X1/4 U DRIVE PIN STAINLESS	2.000 EA
LB1115N	LABEL,LIFTING DEVICE (ON ROLLS)	1.000 EA
MJ1000A02	GREASE, MOBIL POLYREX EM - 124047	0.050 LB
37AD2001A01	BAFFLE PLATE, PLASTIC 0.63" WIDTH	2.000 EA
MG1000Y03	MUNSELL 2.53Y 6.70/ 4.60, GLOSS 20,	0.028 GA
HA3104A27	THRUBOLT 5/16 18 X 12.438 X	4.000 EA

<b>Parts List (continued)</b>		
<b>Part Number</b>	<b>Description</b>	<b>Quantity</b>
LC0005E01	CONN.DIA./WARNING LABEL (LC0005/LB1119N)	1.000 EA
NP3553LUA	ALUM SUPER-E VPWM INVERTER READY UL	1.000 EA
G0PA1000	PKG GRP, PRINT PK1026A06	1.000 EA
MN416A01	TAG-INSTAL-MAINT no wire (2100/bx) 4/22	1.000 EA
FE-0000001	ZRTG FE ASSEMBLY	1.000 EA

**AC Induction Motor Performance Data**

Record # 86644

Preliminary Data Sheet

<b>Winding:</b> 37WGL866-R002		<b>Type:</b> 3728M		<b>Enclosure:</b> OPSB	
<b>Nameplate Data</b>			<b>460 V, 60 Hz: High Voltage Connection</b>		
<b>Rated Output (HP)</b>	10	<b>Full Load Torque</b>		15 LB-FT	
<b>Volts</b>	230/460	<b>Start Configuration</b>		direct on line	
<b>Full Load Amps</b>	24/12	<b>Breakdown Torque</b>		50.8 LB-FT	
<b>R.P.M.</b>	3475	<b>Pull-up Torque</b>		23.7 LB-FT	
<b>Hz</b>	60 <b>Phase</b>	3	<b>Locked-rotor Torque</b>		29 LB-FT
<b>NEMA Design Code</b>	<b>B KVA Code</b>	H	<b>Starting Current</b>		81.5 A
<b>Service Factor (S.F.)</b>	1.15	<b>No-load Current</b>		4.72 A	
<b>NEMA Nom. Eff.</b>	89.5	<b>Power Factor</b>	86	<b>Line-line Res. @ 25°C</b>	
<b>Rating - Duty</b>	40C AMB-CONT	<b>Temp. Rise @ Rated Load</b>		33°C	
<b>S.F. Amps</b>	27.6/13.8	<b>Temp. Rise @ S.F. Load</b>		41°C	
			<b>Locked-rotor Power Factor</b>		39.9
			<b>Rotor inertia</b>		0.255 lb-ft <sup>2</sup>

**Load Characteristics 460 V, 60 Hz, 10 HP**

<b>% of Rated Load</b>	<b>25</b>	<b>50</b>	<b>75</b>	<b>100</b>	<b>125</b>	<b>150</b>	<b>S.F.</b>
<b>Power Factor</b>	49	71	81	85	87	88	87
<b>Efficiency</b>	85	90	90.8	90.3	89.2	87.8	89.6
<b>Speed</b>	3576	3552	3527	3499	3469	3436	3479
<b>Line amperes</b>	5.5	7.27	9.53	12.1	15	18.2	13.8

Performance Graph at 460V, 60Hz, 10.0HP Typical performance - Not guaranteed values

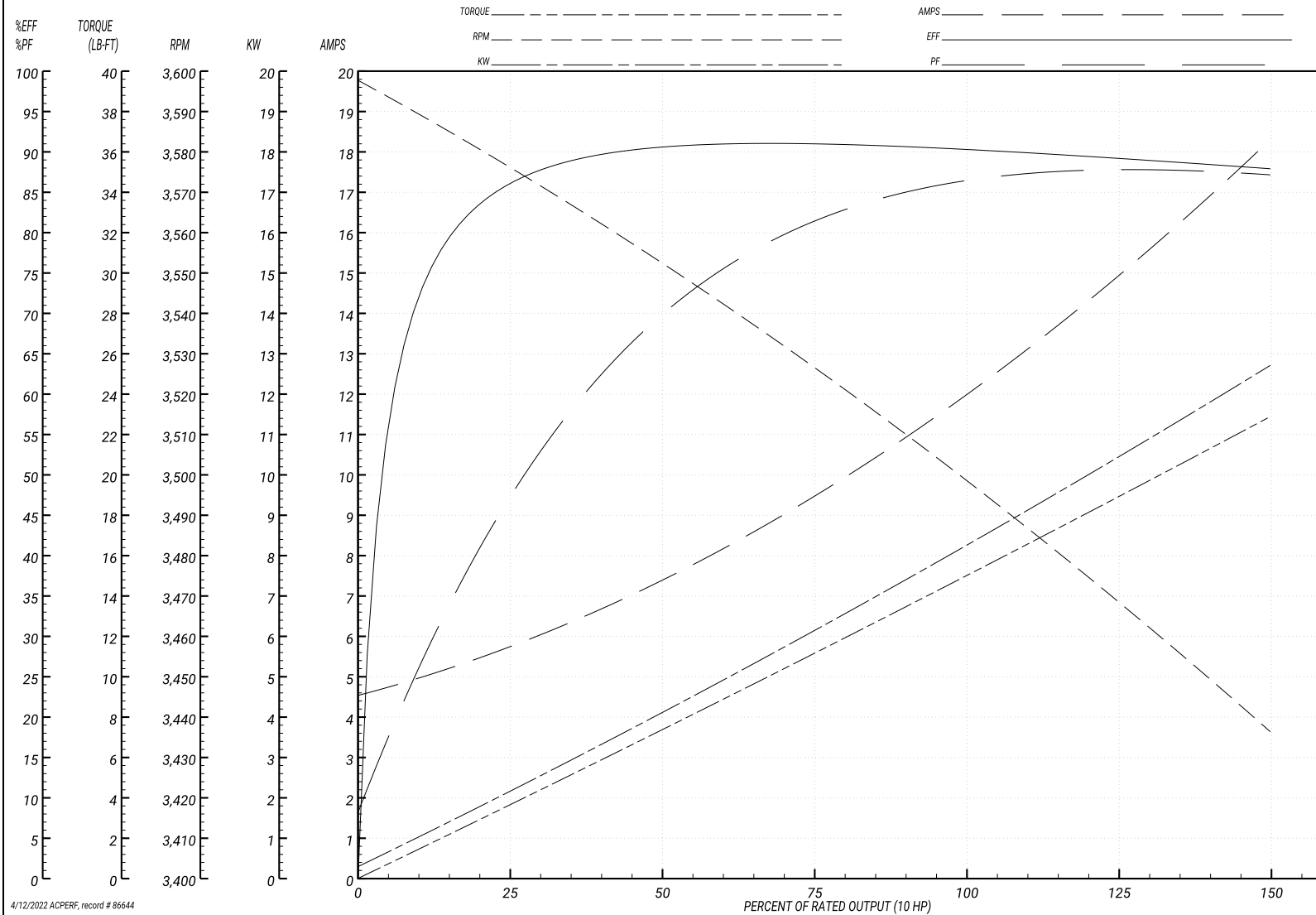
**BALDOR ELECTRIC COMPANY**

WINDING # 37WGL866

Typical performance - not guaranteed values.

10 HP 3 PH 60 HZ 3475 RPM 460 V 3728M

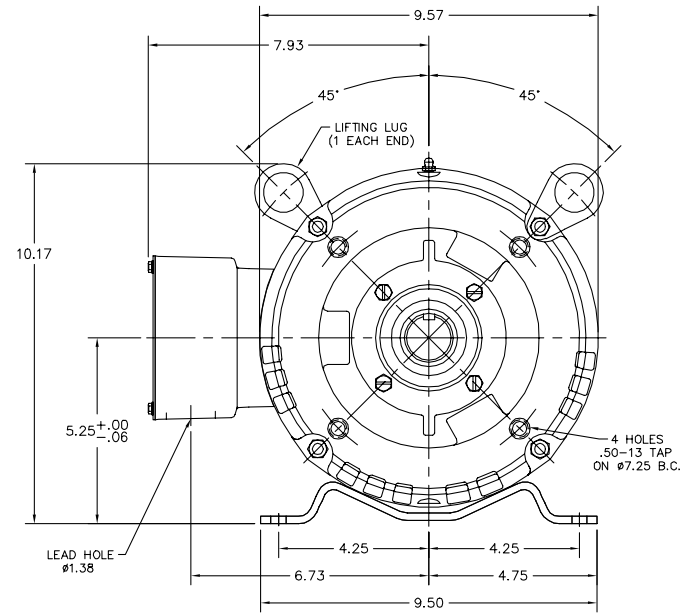
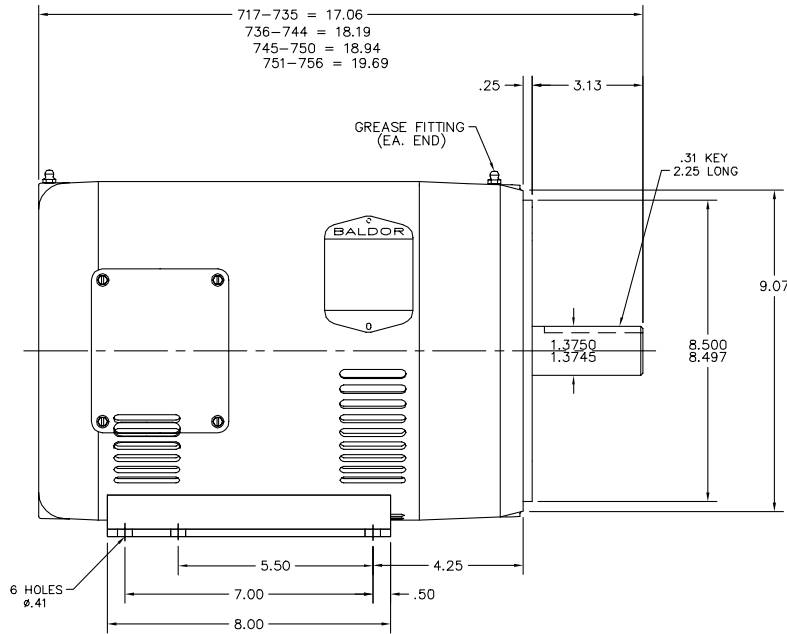
TORQUES(LB-FT): PO=50.8 PU=23.7 LR=29 LRA=81.5



4/12/2022 ACPERF, record # 86644



37LYB102



37LYB102

CUSTOMER IS RESPONSIBLE FOR DETERMINING THAT BALDOR'S PRODUCT WILL PERFORM SUITABLY IN THE INTENDED APPLICATION.

REV. DESC: REPLACE ENDPLATES	VERSION: 02	TDR: 000001018975
REV. LTR: F	REVISED: 10:40:38 04/04/2017	BY: USZAHAR
FILE: \AAA\00045\872		
MTL: -		

**BALDOR**  
 STD HORZ 213-5TC OPSB 37M  
 SH 1 of 1

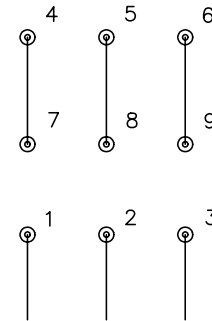
CD0005



LOW VOLTAGE  
(2Y)



HIGH VOLTAGE  
(1Y)



NOTES:

1. INTERCHANGE ANY TWO LINE LEADS TO REVERSE ROTATION.
2. OPTIONAL THERMOSTATS ARE PROVIDED WHEN SPECIFIED.
3. ACTUAL NUMBER OF INTERNAL PARALLEL CIRCUITS MAY BE A MULTIPLE OF THOSE SHOWN ABOVE.
4. LEAD COLORS ARE OPTIONAL. LEADS MUST ALWAYS BE NUMBERED AS SHOWN.

REV. DESC: REVISE TO SHOW OPTIONAL COLORS			
REV. LTR: E	BY: JLP	REVISED: 01/19/99 10:15	TDR: 0171435
90000		FILE: AAA00005140	MDL: -
		MTL: -	

**BALDOR ELECTRIC Co.**

3PH, DV, 9 LEADS

CD0005