

BALDOR® • RELIANCE 

Product Information Packet

CEM3313T

10HP,1770RPM,3PH,60HZ,215TC,3742M,OPSB,F

Part Detail							
Revision:	R	Status:	PRD/A	Change #:		Proprietary:	No
Type:	AC	Elec. Spec:	37WGT853	CD Diagram:	CD0005	Mfg Plant:	
Mech. Spec:	37B102	Layout:	37LYB102	Poles:	04	Created Date:	07-30-2010
Base:	RG	Eff. Date:	07-16-2020	Leads:	9#14		

Specs			
Catalog Number:	CEM3313T	Insulation Class:	F
Enclosure:	OPSB	Inverter Code:	Inverter Ready
Frame:	215TC	IP Rating:	NONE
Frame Material:	Steel	KVA Code:	H
Output @ Frequency:	10.000 HP @ 60 HZ	Lifting Lugs:	Standard Lifting Lugs
Synchronous Speed @ Frequency:	1800 RPM @ 60 HZ	Locked Bearing Indicator:	Locked Bearing
Voltage @ Frequency:	460.0 V @ 60 HZ	Motor Lead Quantity/Wire Size:	9 @ 14 AWG
	230.0 V @ 60 HZ	Motor Lead Exit:	Ko Box
XP Class and Group:	None	Motor Lead Termination:	Flying Leads
XP Division:	Not Applicable	Motor Type:	3742M
Agency Approvals:	CSA	Mounting Arrangement:	F1
	CSA EEV	Power Factor:	82
	UR	Product Family:	General Purpose
Auxillary Box:	No Auxillary Box	Pulley End Bearing Type:	Ball
Auxillary Box Lead Termination:	None	Pulley Face Code:	C-Face
Base Indicator:	Rigid	Pulley Shaft Indicator:	Standard
Bearing Grease Type:	Polyrex EM (-20F +300F)	Rodent Screen:	None
Blower:	None	RoHS Status:	ROHS COMPLIANT

Current @ Voltage:	12.500 A @ 460.0 V	Shaft Extension Location:	Pulley End
	25.000 A @ 230.0 V	Shaft Ground Indicator:	No Shaft Grounding
	26.000 A @ 208.0 V	Shaft Rotation:	Reversible
Design Code:	B	Shaft Slinger Indicator:	No Slinger
Drip Cover:	No Drip Cover	Speed Code:	Single Speed
Duty Rating:	CONT	Motor Standards:	NEMA
Electrically Isolated Bearing:	Not Electrically Isolated	Starting Method:	Direct on line
Feedback Device:	NO FEEDBACK	Thermal Device - Bearing:	None
Front Face Code:	Standard	Thermal Device - Winding:	None
Front Shaft Indicator:	None	Vibration Sensor Indicator:	No Vibration Sensor
Heater Indicator:	No Heater	Winding Thermal 1:	None
		Winding Thermal 2:	None

Nameplate NP3553LUA

CAT.NO.	CEM3313T					
SPEC.	37B102T853G1					
HP	10					
VOLTS	230/460					
AMPS	25/12.5					
RPM	1770					
FRAME	215TC		HZ	60		PH 3
SF	1.15		CODE	H	DES	B
NEMA NOM. EFF	91.7		PF	82		CLASS F
RATING	40C AMB-CONT					
CC	010A		USABLE AT 208V			26
DE	6307		ODE	6206		
ENCL	OPSB		SN			
VPWM INVERTER READY						
CT30-60(2:1) VT3-60(20:1)						
USABLE AT	50HZ 7.5HP 190/380V 26.8/14.4A					SF1.0

Parts List		
Part Number	Description	Quantity
SA200638	SA 37B102T853G1	1.000 EA
RA187949	RA 37B102T853G1	1.000 EA
HA6361A01	LIFTING LUG FOR 37, 39 & 40 FRAME ZINC	2.000 EA
37CB3006	37 CB CASTING W/1.38 LEAD HOLE @ 6:00	1.000 EA
51XW2520A10	.25-20 X .62, TAPTITE II, HEX WSHR SLTD	2.000 EA
11XW1032G06	10-32 X .38, TAPTITE II, HEX WSHR SLTD U	1.000 EA
37EP3203A00	MASTER,ODE,206 BRG,GREASER	1.000 EA
HW4500A01	1641B(ALEMITE)400 UNIV, GREASE FITT	1.000 EA
HW5100A06	W2420-025 WVY WSHR (WB)	1.000 EA
37EP3400A01	FACE MT EP-OPEN-307 BRG-213-215TC W/GREA	1.000 EA
HW4500A01	1641B(ALEMITE)400 UNIV, GREASE FITT	1.000 EA
10XN2520A30	HEX HD CAP SCREW-STD THD-.25 X 20 THD PE	4.000 EA
HW1001A25	LOCKWASHER 1/4, ZINC PLT .493 OD, .255 I	4.000 EA
XY3118A12	5/16-18 HEX NUT DIRECTIONAL SERRATION	4.000 EA
37CB4516	LIPPED LID FOR 37 FRAME NEC KOBX	1.000 EA
51XW0832A07	8-32 X .44, TAPTITE II, HEX WSHR SLTD SE	4.000 EA
HW2501F21	KEY, 5/16 SQ X 2.375	1.000 EA
HA7000A02	KEY RETAINER RING, 1 1/8 DIA, 1 3/8 DIA	1.000 EA
85XU0407S04	4X1/4 U DRIVE PIN STAINLESS	2.000 EA
LB1115N	LABEL,LIFTING DEVICE (ON ROLLS)	1.000 EA
MJ1000A02	GREASE, MOBIL POLYREX EM - 124047	0.050 LB
37AD2001A01	BAFFLE PLATE, PLASTIC 0.63" WIDTH	2.000 EA
MG1000Y03	MUNSELL 2.53Y 6.70/ 4.60, GLOSS 20,	0.028 GA
HA3104A35	THRUBOLT .31-18 X 13.687	4.000 EA

Parts List (continued)		
Part Number	Description	Quantity
LC0005E01	CONN.DIA./WARNING LABEL (LC0005/LB1119N)	1.000 EA
NP3553LUA	ALUM SUPER-E VPWM INVERTER READY UL	1.000 EA
G0PA1000	PKG GRP, PRINT PK1026A06	1.000 EA
MN416A01	TAG-INSTAL-MAINT no wire (2100/bx) 4/22	1.000 EA
FE-0000001	ZRTG FE ASSEMBLY	1.000 EA

AC Induction Motor Performance Data

Record # 53404

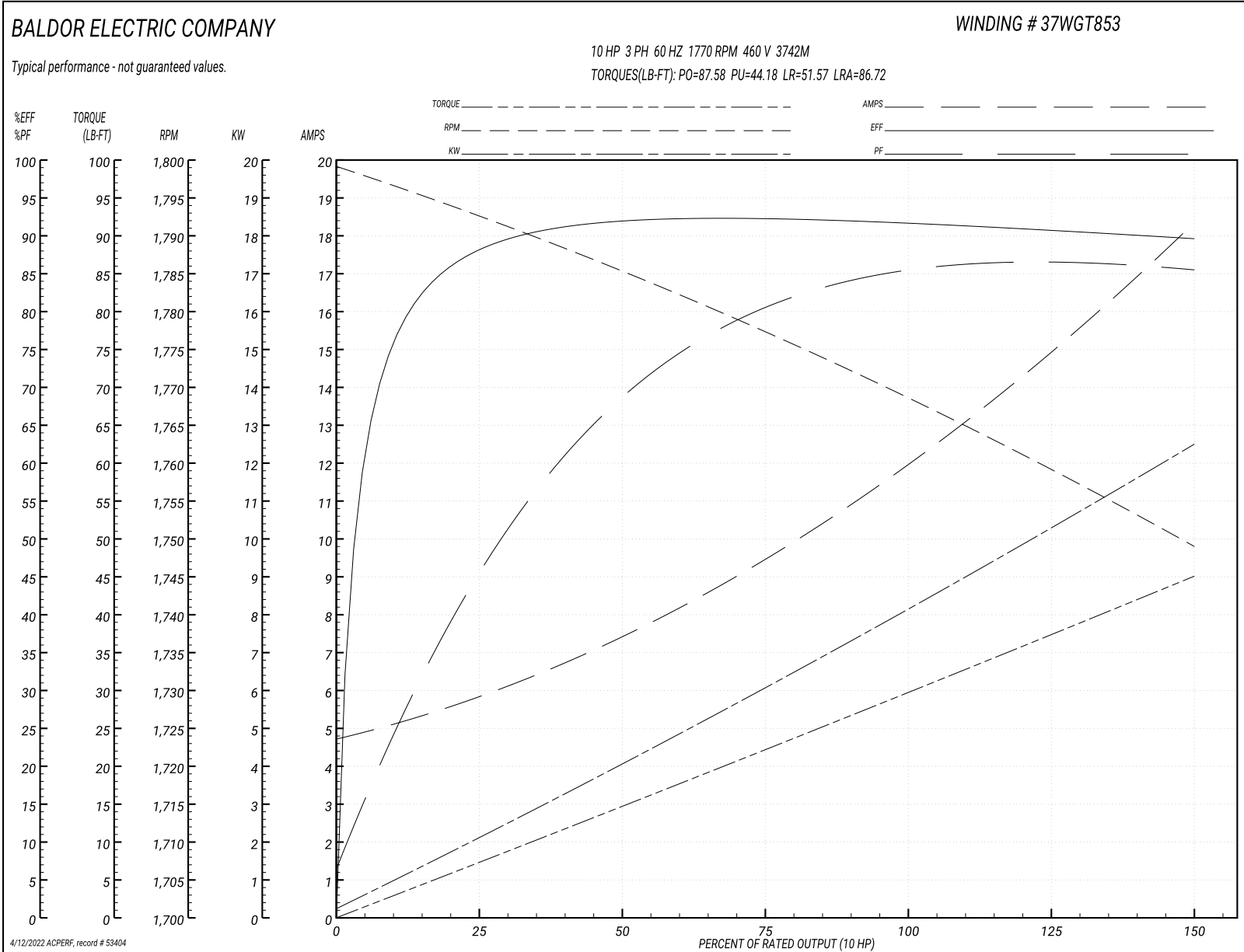
Typical performance - not guaranteed values

Winding: 37WGT853-R026		Type: 3742M		Enclosure: OPSB	
Nameplate Data			460 V, 60 Hz: High Voltage Connection		
Rated Output (HP)	10	Full Load Torque	29.7 LB-FT		
Volts	230/460	Start Configuration	direct on line		
Full Load Amps	25/12.5	Breakdown Torque	87.58 LB-FT		
R.P.M.	1770	Pull-up Torque	44.18 LB-FT		
Hz	60 Phase	Locked-rotor Torque	51.57 LB-FT		
NEMA Design Code	B KVA Code	Starting Current	86.72 A		
Service Factor (S.F.)	1.15	No-load Current	4.91 A		
NEMA Nom. Eff.	91.7 Power Factor	Line-line Res. @ 25°C	1.18 Ω		
Rating - Duty	40C AMB-CONT	Temp. Rise @ Rated Load	34°C		
S.F. Amps		Temp. Rise @ S.F. Load	43°C		
		Locked-rotor Power Factor	37.9		
		Rotor inertia	1.03 LB-FT ²		

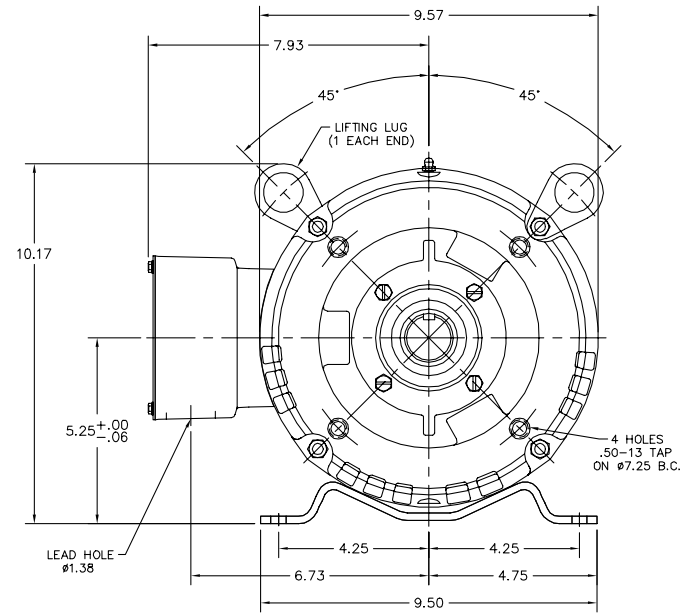
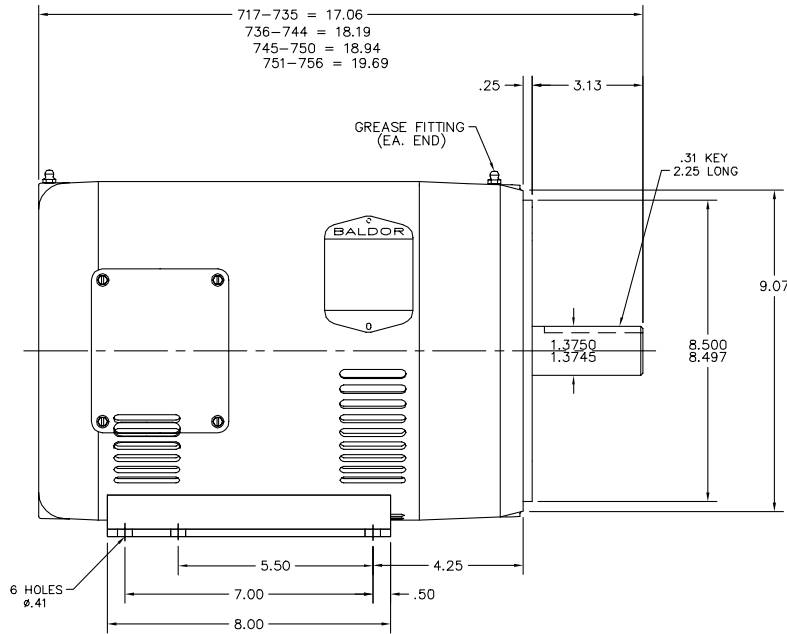
Load Characteristics 460 V, 60 Hz, 10 HP

% of Rated Load	25	50	75	100	125	150	S.F.
Power Factor	48	70	80	84	86	86	83
Efficiency	87.7	91.8	92.2	91.7	90.8	89.5	91.4
Speed	1793	1785	1777	1769	1759	1749	1763
Line amperes	5.6	7.31	9.53	12.15	15	18.24	14.2

Performance Graph at 460V, 60Hz, 10.0HP Typical performance - Not guaranteed values



37LYB102



37LYB102

CUSTOMER IS RESPONSIBLE FOR DETERMINING THAT BALDOR'S PRODUCT WILL PERFORM SUITABLY IN THE INTENDED APPLICATION.

REV. DESC: REPLACE ENDPLATES	VERSION: 02	TDR: 000001018975
REV. LTR: F	REVISED: 10:40:38 04/04/2017	BY: USZAHAR
FILE: \AAA\00045\872		
MTL: -		

BALDOR
 STD HORZ 213-5TC OPSB 37M
 SH 1 of 1

CD0005

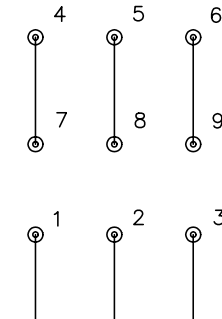


LOW VOLTAGE (2Y)



LINE

HIGH VOLTAGE (1Y)



LINE

NOTES:

1. INTERCHANGE ANY TWO LINE LEADS TO REVERSE ROTATION.
2. OPTIONAL THERMOSTATS ARE PROVIDED WHEN SPECIFIED.
3. ACTUAL NUMBER OF INTERNAL PARALLEL CIRCUITS MAY BE A MULTIPLE OF THOSE SHOWN ABOVE.
4. LEAD COLORS ARE OPTIONAL. LEADS MUST ALWAYS BE NUMBERED AS SHOWN.

REV. DESC: REVISE TO SHOW OPTIONAL COLORS			
REV. LTR: E	BY: JLP	REVISED: 01/19/99 10:15	TDR: 0171435
90000		FILE: AAA00005140	MDL: -
		MTL: -	

BALDOR ELECTRIC Co.

3PH, DV, 9 LEADS

CD0005