

BALDOR® • RELIANCE 

Product Information Packet

CEM3546T-G

1HP, 1760RPM, 3PH, 60HZ, 143TC, TEFC, F1

Part Detail							
Revision:	A	Status:	PRD/A	Change #:		Proprietary:	No
Type:	AC	Elec. Spec:	35WGM492	CD Diagram:	CD0005	Mfg Plant:	
Mech. Spec:		Layout:	35LYE2179	Poles:	04	Created Date:	12-17-2019
Base:		Eff. Date:	11-11-2021	Leads:	9#18		

Specs			
Catalog Number:	CEM3546T-G	Feedback Device:	NO FEEDBACK
Enclosure:	TEFC	Heater Indicator:	No Heater
Frame:	143TC	Insulation Class:	H
Frame Material:	Steel	Inverter Code:	Inverter Ready
Output @ Frequency:	1.000 HP @ 60 HZ	IP Rating:	NONE
Synchronous Speed @ Frequency:	1800 RPM @ 60 HZ	KVA Code:	L
Voltage @ Frequency:	460.0 V @ 60 HZ	Lifting Lugs:	No Lifting Lugs
	230.0 V @ 60 HZ	Locked Bearing Indicator:	Locked Bearing
XP Class and Group:	None	Motor Lead Termination:	Flying Leads
XP Division:	Not Applicable	Motor Type:	3520M
Agency Approvals:	CSA	Mounting Arrangement:	F1
	CSA EEV	Power Factor:	71
	UR	Product Family:	General Purpose
Auxillary Box:	No Auxillary Box	Pulley Face Code:	C-Face
Auxillary Box Lead Termination:	None	Rodent Screen:	None
Base Indicator:	Rigid	Shaft Ground Indicator:	Shaft Grounding
Bearing Grease Type:	Polyrex EM (-20F +300F)	Shaft Rotation:	Reversible
Blower:	None	Speed Code:	Single Speed

Current @ Voltage:	1.500 A @ 460.0 V	Motor Standards:	NEMA
	3.000 A @ 230.0 V	Starting Method:	Direct on line
Design Code:	B	Thermal Device - Bearing:	None
Drip Cover:	No Drip Cover	Thermal Device - Winding:	None
Duty Rating:	CONT	Vibration Sensor Indicator:	No Vibration Sensor
Electrically Isolated Bearing:	Not Electrically Isolated	Winding Thermal 1:	None
		Winding Thermal 2:	None

Nameplate NP3441LUA	
CAT.NO.	CEM3546T-G
SPEC	35-0000-0516
HP	1
VOLTS	230/460
AMPS	3/1.5
RPM	1760
FRAME	143TC
	HZ 60
	PH 3
SF	1.15
	CODE L
	DES B
	CLASS H
NEMA NOM. EFF	85.5
	PF 71
RATING	40C AMB-CONT
CC	010A
	USABLE AT 208V 3
ENCL	TEFC
	SER
DE	6205
	ODE 6203
VPWM INVERTER READY	
CT6-60H(10:1)VT3-60H(20:1	
	50HZ 1HP 190/380V 3.6/1.8A
	SF1.0

Parts List		
Part Number	Description	Quantity
SA377292	SA 35-0000-0516	1.000 EA
RA367207	RA 35-0000-0516	1.000 EA
LC0005E01	CONN.DIA./WARNING LABEL (LC0005/LB1119N)	1.000 EA
NP3441LUA	ALUM SUPER-E VPWM INV READY UL CSA-EEV C	1.000 EA
85XU0407S04	4X1/4 U DRIVE PIN STAINLESS	2.000 EA
MN416A01	TAG-INSTAL-MAINT no wire (2100/bx) 4/22	1.000 EA
35FH4005A84SP	IEC FH W/GRSR, NO DIMPLES PRIMED	1.000 EA
51XW1032A06	10-32 X .38, TAPTITE II, HEX WSHR SLTD S	3.000 EA
34FN3002B01	EXTERNAL FAN, PLASTIC, .637/.639 HUB W/	1.000 EA
51XB0818A12	8-18X3/4 HXWSSLD SERTYB	1.000 EA
MJ1000A02	GREASE, MOBIL POLYREX EM - 124047	0.050 LB
HA3100A15	THRUBOLT 10-32 X 8.375	4.000 EA
LB1459	AEGIS SGR LABEL "AEGISLBL-100"	1.000 EA
35EP3122A00	MASTER ODE,203 BRG,.683SH,#26 DRN,GRSR,F	1.000 EA
HW5100A03	WAVY WASHER (W1543-017)	1.000 EA
HW4500A01	1641B(ALEMITE)400 UNIV, GREASE FITT	1.000 EA
35EP3307D00	MASTER DE,205 BRG,.998SH,#26 DRN,GRSR	1.000 EA
51XN1032A20	10-32 X 1 1/4 HX WS SL SR	2.000 EA
HW4500A01	1641B(ALEMITE)400 UNIV, GREASE FITT	1.000 EA
BP5308A01	AEGIS SH GRD ASSY W/RETAINER RING	1.000 EA
FE-0000001	ZRTG FE ASSEMBLY	1.000 EA
35CB3007	35 CB CASTING W/.88 DIA. LEAD HOLE	1.000 EA
PE-0000001	ZRTG PE ASSEMBLY	1.000 EA
36GS1000SP	GASKET-CONDUIT BOX, .06 THICK #SV-330 LE	1.000 EA

Parts List (continued)		
Part Number	Description	Quantity
51XB1016A07	10-16 X 7/16 HXWSSLD SERTYB	2.000 EA
11XW1032G06	10-32 X .38, TAPTITE II, HEX WSHR SLTD U	1.000 EA
35CB4521GX	CONDUIT BOX LID KIT **ORDER INDIV PARTS	1.000 EA
51XW0832A07	8-32 X .44, TAPTITE II, HEX WSHR SLTD SE	4.000 EA
NS2512A01	INSULATOR, CONDUIT BOX X	1.000 EA
MG1000Y03	MUNSELL 2.53Y 6.70/ 4.60, GLOSS 20,	0.022 GA
36PA1000	PKG GRP, PRINT PK1016A06	1.000 EA
HW2501D13	KEY, 3/16 SQ X 1.375	1.000 EA
HA7000A01	KEY RETAINER 7/8" DIA SHAFT	1.000 EA

AC Induction Motor Performance Data

Record # 35572

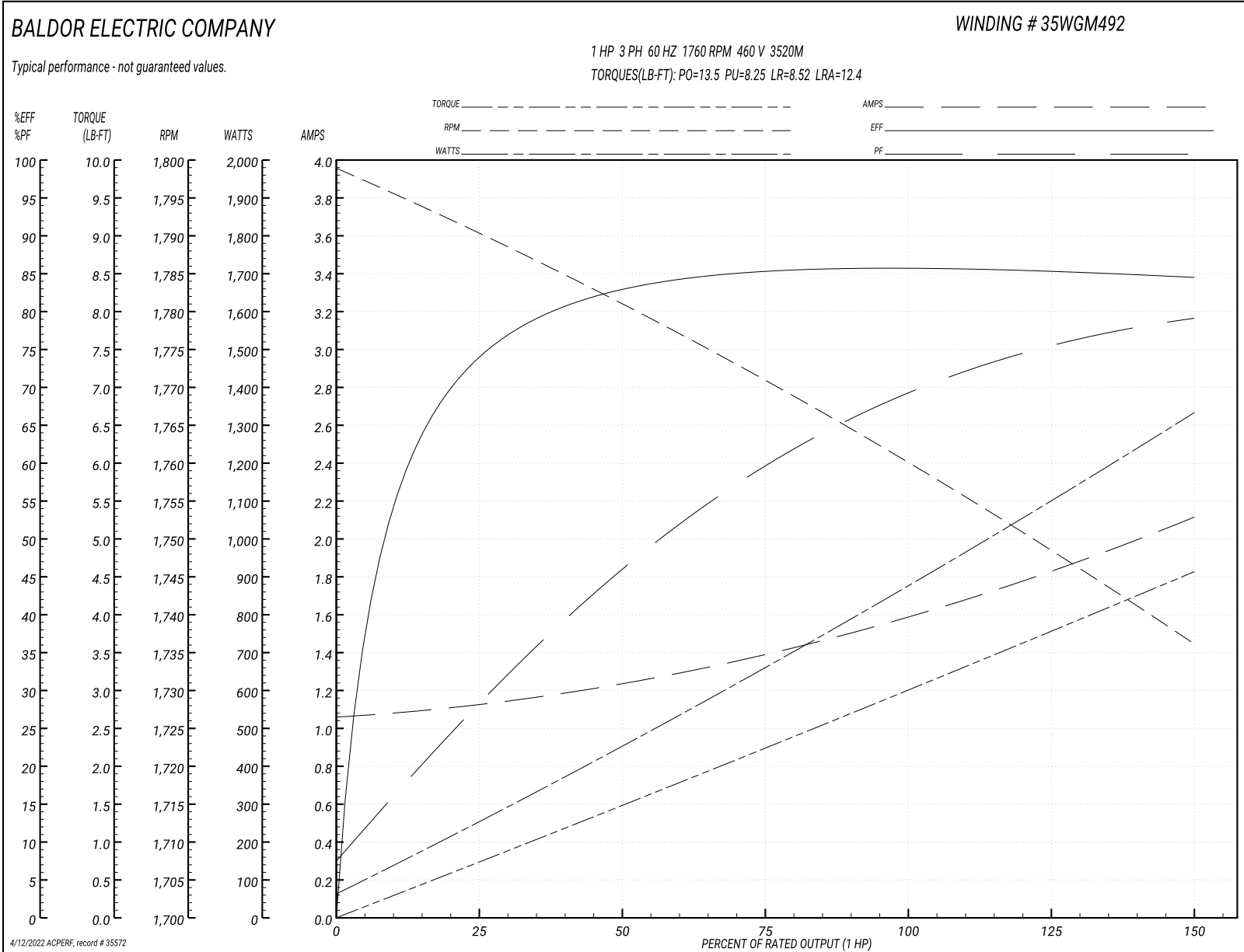
Typical performance - not guaranteed values

Winding: 35WGM492-R004		Type: 3520M	Enclosure: TEFC	
Nameplate Data			460 V, 60 Hz: High Voltage Connection	
Rated Output (HP)	1	Full Load Torque	2.99 LB-FT	
Volts	230/460	Start Configuration	direct on line	
Full Load Amps	3/1.5	Breakdown Torque	13.5 LB-FT	
R.P.M.	1760	Pull-up Torque	8.25 LB-FT	
Hz	60 Phase	Locked-rotor Torque	8.52 LB-FT	
NEMA Design Code	B KVA Code	Starting Current	12.4 A	
Service Factor (S.F.)	1.15	No-load Current	1.07 A	
NEMA Nom. Eff.	85.5 Power Factor	Line-line Res. @ 25°C	15 Ω	
Rating - Duty	40C AMB-CONT	Temp. Rise @ Rated Load	36°C	
S.F. Amps		Temp. Rise @ S.F. Load	42°C	
		Locked-rotor Power Factor	53.8	
		Rotor inertia	0.118 LB-FT ²	

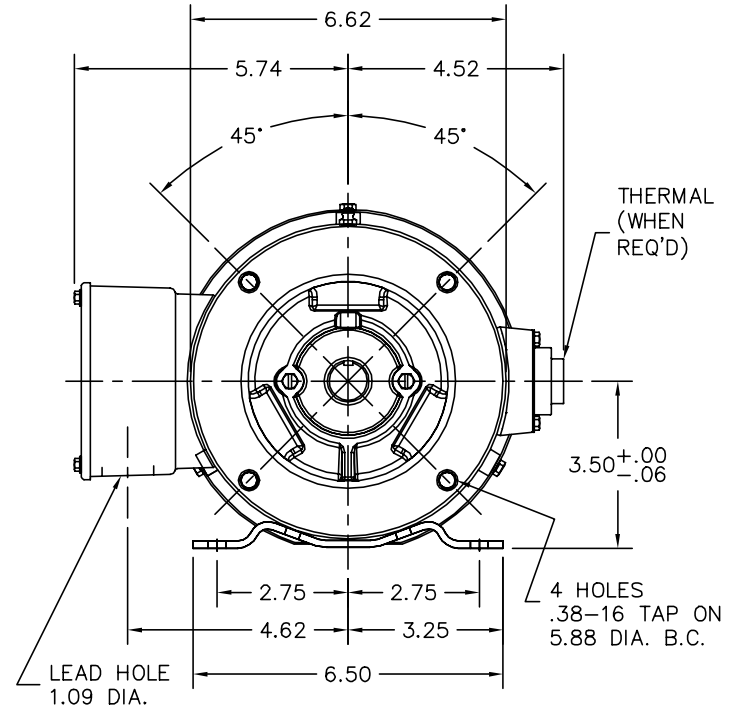
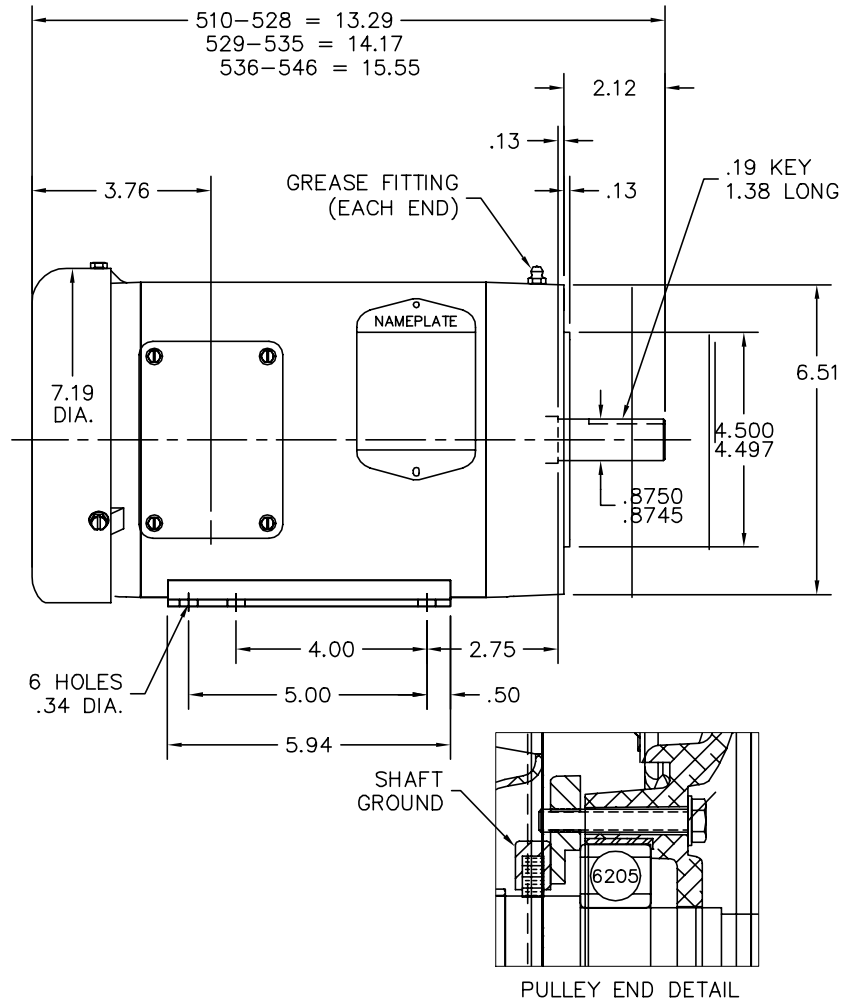
Load Characteristics 460 V, 60 Hz, 1 HP

% of Rated Load	25	50	75	100	125	150	S.F.
Power Factor	29	46	60	69	75	79	74
Efficiency	74.2	82.9	85.4	85.8	85.4	84.5	85.6
Speed	1790	1781	1771	1760	1749	1736	1754
Line amperes	1.11	1.24	1.39	1.59	1.83	2.11	1.69

Performance Graph at 460V, 60Hz, 1.0HP Typical performance - Not guaranteed values



35LYE2179



CUSTOMER IS RESPONSIBLE FOR DETERMINING THAT BALDOR'S PRODUCT WILL PERFORM SUITABLY IN THE INTENDED APPLICATION.

REV. DESC: REPLACE ENDPLATES		
REV. LTR: C	VERSION: 03	TDR: 000001063670
FILE: \AAA\00203\481	REVISED: 01:51:08 03/12/2018	BY: FGCHAH1
MTL: -		

BALDOR

HOR 143-5TC TEFC 35M W/AEGIS INT SH GRD

SH 1 of 1

35LYE2179

CD0005

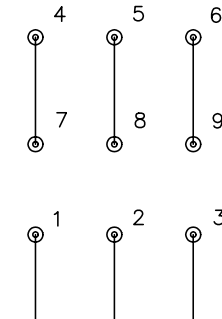


LOW VOLTAGE
(2Y)



LINE

HIGH VOLTAGE
(1Y)



LINE

NOTES:

1. INTERCHANGE ANY TWO LINE LEADS TO REVERSE ROTATION.
2. OPTIONAL THERMOSTATS ARE PROVIDED WHEN SPECIFIED.
3. ACTUAL NUMBER OF INTERNAL PARALLEL CIRCUITS MAY BE A MULTIPLE OF THOSE SHOWN ABOVE.
4. LEAD COLORS ARE OPTIONAL. LEADS MUST ALWAYS BE NUMBERED AS SHOWN.

REV. DESC: REVISE TO SHOW OPTIONAL COLORS			
REV. LTR: E	BY: JLP	REVISED: 01/19/99 10:15	TDR: 0171435
90000		FILE: AAA00005140	MDL: -
		MTL: -	

BALDOR ELECTRIC Co.

3PH, DV, 9 LEADS

CD0005

Marketing maintained PDF of MN416:

<http://www.baldor.com/support/Literature/Load.ashx/MN416?ManNumber=MN416>