

BALDOR® • RELIANCE 

Product Information Packet

CEM3559T-G

3HP,3450RPM,3PH,60HZ,145TC,TEFC,F1

Part Detail							
Revision:	A	Status:	PRD/A	Change #:		Proprietary:	No
Type:	AC	Elec. Spec:	35WGQ060	CD Diagram:	CD0005	Mfg Plant:	
Mech. Spec:		Layout:	35LYE2179	Poles:	02	Created Date:	12-17-2019
Base:		Eff. Date:	11-11-2021	Leads:	9#18		

Specs			
Catalog Number:	CEM3559T-G	Feedback Device:	NO FEEDBACK
Enclosure:	TEFC	Heater Indicator:	No Heater
Frame:	145TC	Insulation Class:	H
Frame Material:	Steel	Inverter Code:	Inverter Ready
Output @ Frequency:	3.000 HP @ 60 HZ	IP Rating:	NONE
Synchronous Speed @ Frequency:	3600 RPM @ 60 HZ	KVA Code:	L
Voltage @ Frequency:	460.0 V @ 60 HZ	Lifting Lugs:	No Lifting Lugs
	230.0 V @ 60 HZ	Locked Bearing Indicator:	Locked Bearing
XP Class and Group:	None	Motor Lead Termination:	Flying Leads
XP Division:	Not Applicable	Motor Type:	3532M
Agency Approvals:	CSA	Mounting Arrangement:	F1
	CSA EEV	Power Factor:	92
	UR	Product Family:	General Purpose
Auxillary Box:	No Auxillary Box	Pulley Face Code:	C-Face
Auxillary Box Lead Termination:	None	Rodent Screen:	None
Base Indicator:	Rigid	Shaft Ground Indicator:	Shaft Grounding
Bearing Grease Type:	Polyrex EM (-20F +300F)	Shaft Rotation:	Reversible
Blower:	None	Speed Code:	Single Speed

Current @ Voltage:	3.600 A @ 460.0 V	Motor Standards:	NEMA
	7.200 A @ 230.0 V	Starting Method:	Direct on line
Design Code:	B	Thermal Device - Bearing:	None
Drip Cover:	No Drip Cover	Thermal Device - Winding:	None
Duty Rating:	CONT	Vibration Sensor Indicator:	No Vibration Sensor
Electrically Isolated Bearing:	Not Electrically Isolated	Winding Thermal 1:	None
		Winding Thermal 2:	None

Nameplate NP3441LUA										
CAT.NO.	CEM3559T-G									
SPEC	35-0000-0512									
HP	3									
VOLTS	230/460									
AMPS	7.2/3.6									
RPM	3450									
FRAME	145TC				HZ	60			PH	3
SF	1.15		CODE	L	DES	B		CLASS	H	
NEMA NOM. EFF	86.5		PF	92						
RATING	40C AMB-CONT									
CC	010A			USABLE AT 208V						7.8
ENCL	TEFC		SER							
DE	6205			ODE	6203					
VPWM INVERTER READY										
CT6-60H(10:1)VT3-60H(20:1)										
	50HZ 3HP 190/380V 8.8/4.4A									
	SF1.0									

Parts List		
Part Number	Description	Quantity
SA377297	SA 35-0000-0512	1.000 EA
RA367212	RA 35-0000-0512	1.000 EA
LC0005E01	CONN.DIA./WARNING LABEL (LC0005/LB1119N)	1.000 EA
NP3441LUA	ALUM SUPER-E VPWM INV READY UL CSA-EEV C	1.000 EA
85XU0407S04	4X1/4 U DRIVE PIN STAINLESS	2.000 EA
MN416A01	TAG-INSTAL-MAINT no wire (2100/bx) 4/22	1.000 EA
35FH4005A84SP	IEC FH W/GRSR, NO DIMPLES PRIMED	1.000 EA
51XW1032A06	10-32 X .38, TAPTITE II, HEX WSHR SLTD S	3.000 EA
34FN3002B01	EXTERNAL FAN, PLASTIC, .637/.639 HUB W/	1.000 EA
51XB0818A12	8-18X3/4 HXWSSLD SERTYB	1.000 EA
MJ1000A02	GREASE, MOBIL POLYREX EM - 124047	0.050 LB
HA3100A38	THRUBOLT 10-32 X 9.375	4.000 EA
LB1459	AEGIS SGR LABEL "AEGISLBL-100"	1.000 EA
35EP3122A00	MASTER ODE,203 BRG,.683SH,#26 DRN,GRSR,F	1.000 EA
HW5100A03	WAVY WASHER (W1543-017)	1.000 EA
HW4500A01	1641B(ALEMITE)400 UNIV, GREASE FITT	1.000 EA
35EP3307D00	MASTER DE,205 BRG,.998SH,#26 DRN,GRSR	1.000 EA
51XN1032A20	10-32 X 1 1/4 HX WS SL SR	2.000 EA
HW4500A01	1641B(ALEMITE)400 UNIV, GREASE FITT	1.000 EA
BP5308A01	AEGIS SH GRD ASSY W/RETAINER RING	1.000 EA
FE-0000001	ZRTG FE ASSEMBLY	1.000 EA
35CB3007	35 CB CASTING W/.88 DIA. LEAD HOLE	1.000 EA
PE-0000001	ZRTG PE ASSEMBLY	1.000 EA
36GS1000SP	GASKET-CONDUIT BOX, .06 THICK #SV-330 LE	1.000 EA

Parts List (continued)		
Part Number	Description	Quantity
51XB1016A07	10-16 X 7/16 HXWSSLD SERTYB	2.000 EA
11XW1032G06	10-32 X .38, TAPTITE II, HEX WSHR SLTD U	1.000 EA
35CB4521GX	CONDUIT BOX LID KIT **ORDER INDIV PARTS	1.000 EA
51XW0832A07	8-32 X .44, TAPTITE II, HEX WSHR SLTD SE	4.000 EA
NS2512A01	INSULATOR, CONDUIT BOX X	1.000 EA
MG1000Y03	MUNSELL 2.53Y 6.70/ 4.60, GLOSS 20,	0.022 GA
36PA1000	PKG GRP, PRINT PK1016A06	1.000 EA
HW2501D13	KEY, 3/16 SQ X 1.375	1.000 EA
HA7000A01	KEY RETAINER 7/8" DIA SHAFT	1.000 EA

AC Induction Motor Performance Data

Record # 53134

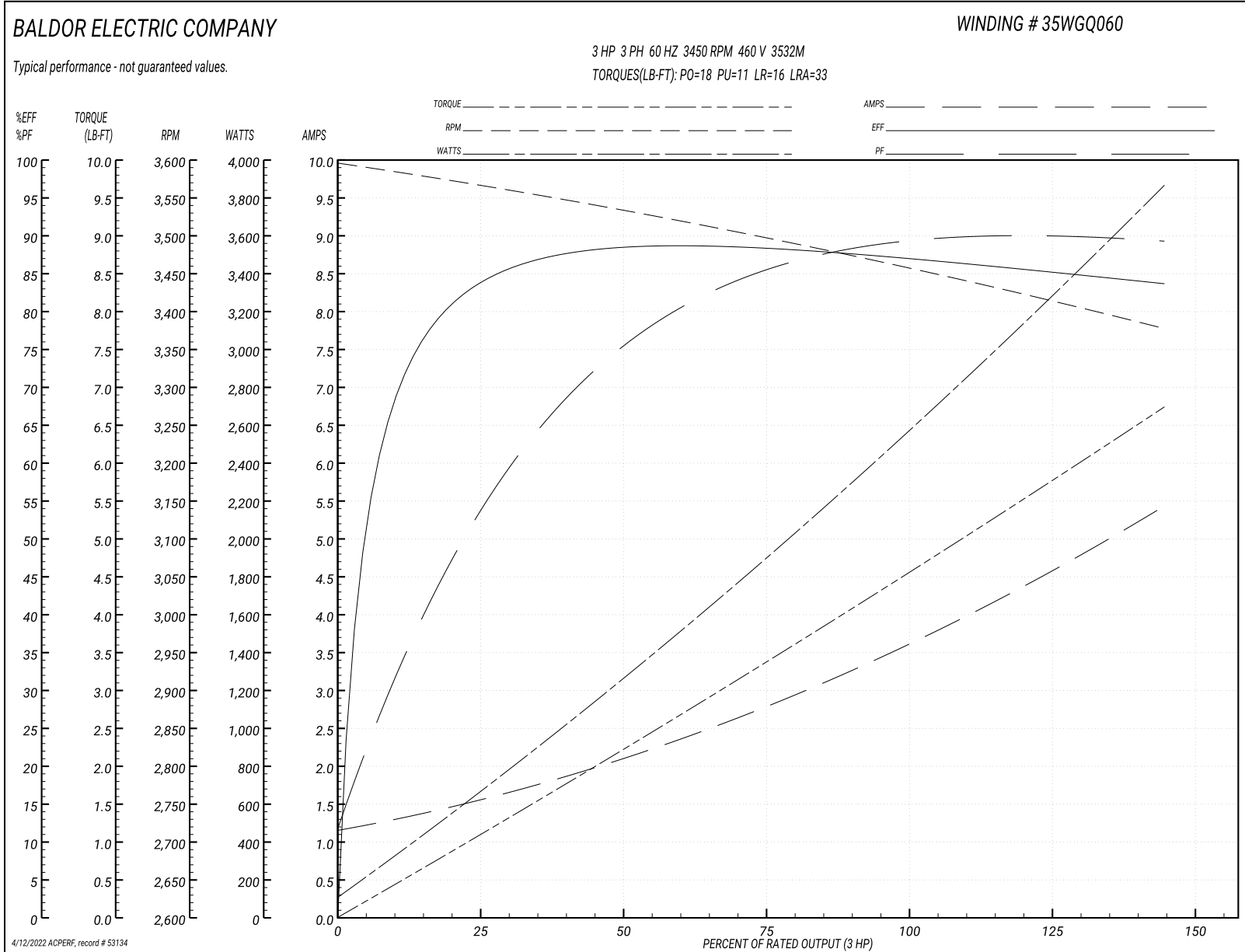
Typical performance - not guaranteed values

Winding: 35WGQ060-R024		Type: 3532M	Enclosure: TEFC	
Nameplate Data			460 V, 60 Hz: High Voltage Connection	
Rated Output (HP)	3	Full Load Torque	4.5 LB-FT	
Volts	230/460	Start Configuration	direct on line	
Full Load Amps	7.2/3.6	Breakdown Torque	18 LB-FT	
R.P.M.	3450	Pull-up Torque	11 LB-FT	
Hz	60 Phase	Locked-rotor Torque	16 LB-FT	
NEMA Design Code	B KVA Code	Starting Current	33 A	
Service Factor (S.F.)	1.15	No-load Current	1.2 A	
NEMA Nom. Eff.	86.5 Power Factor	Line-line Res. @ 25°C	4.7 Ω	
Rating - Duty	40C AMB-CONT	Temp. Rise @ Rated Load	61°C	
S.F. Amps		Temp. Rise @ S.F. Load	73°C	
		Locked-rotor Power Factor	47.1	
		Rotor inertia	0.0885 LB-FT ²	

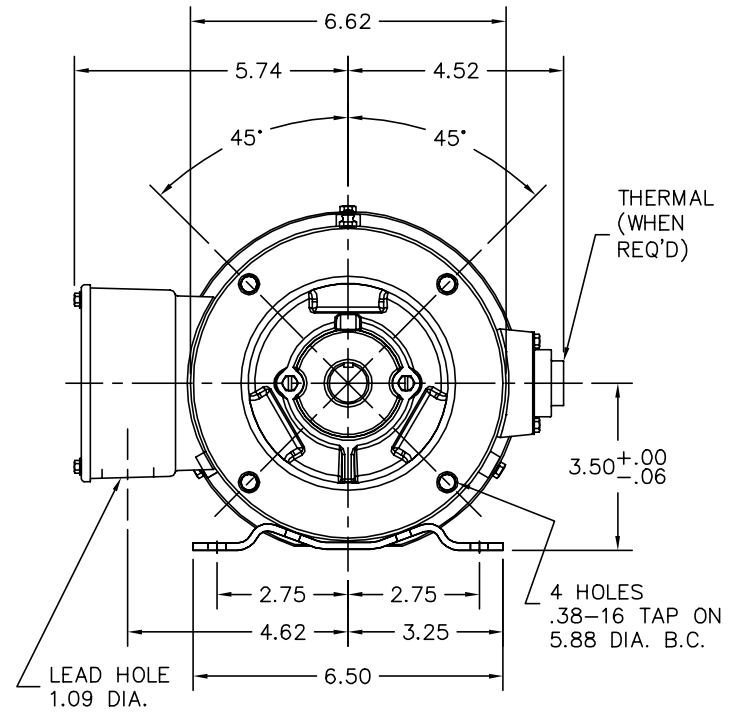
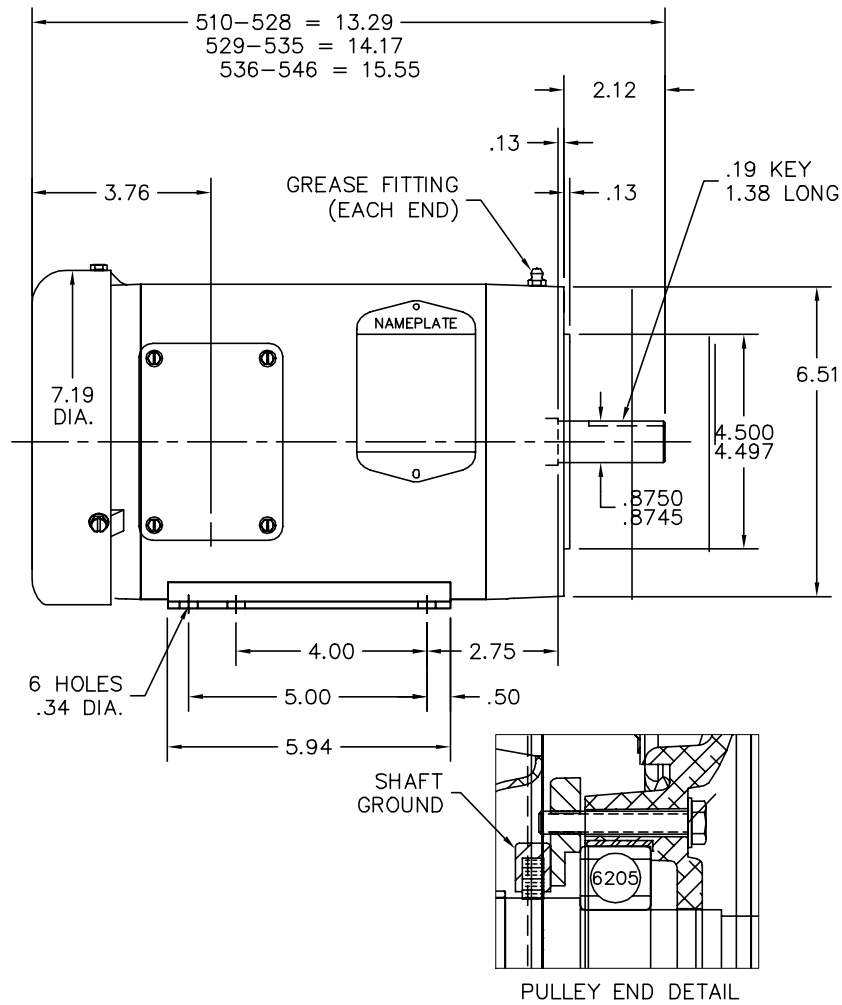
Load Characteristics 460 V, 60 Hz, 3 HP

% of Rated Load	25	50	75	100	125	150	S.F.
Power Factor	57	77	85	88	89	90	89
Efficiency	84.1	87.9	88.4	87.2	85.7	83.5	86.3
Speed	3562	3531	3498	3462	3421	3375	3437
Line amperes	1.5	2.1	2.8	3.6	4.5	5.4	4.14

Performance Graph at 460V, 60Hz, 3.0HP Typical performance - Not guaranteed values



35LYE2179



CUSTOMER IS RESPONSIBLE FOR DETERMINING THAT BALDOR'S PRODUCT WILL PERFORM SUITABLY IN THE INTENDED APPLICATION.

REV. DESC: REPLACE ENDPLATES		
REV. LTR: C	VERSION: 03	TDR: 000001063670
FILE: \AAA\00203\481	REVISED: 01:51:08 03/12/2018	BY: FGCHAH1
MTL: -		

BALDOR

HOR 143-5TC TEFC 35M W/AEGIS INT SH GRD

SH 1 of 1

35LYE2179

CD0005

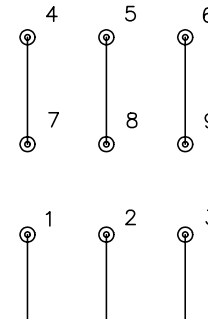


LOW VOLTAGE
(2Y)



LINE

HIGH VOLTAGE
(1Y)



LINE

NOTES:

1. INTERCHANGE ANY TWO LINE LEADS TO REVERSE ROTATION.
2. OPTIONAL THERMOSTATS ARE PROVIDED WHEN SPECIFIED.
3. ACTUAL NUMBER OF INTERNAL PARALLEL CIRCUITS MAY BE A MULTIPLE OF THOSE SHOWN ABOVE.
4. LEAD COLORS ARE OPTIONAL. LEADS MUST ALWAYS BE NUMBERED AS SHOWN.

REV. DESC: REVISE TO SHOW OPTIONAL COLORS

REV. LTR: E BY: JLP

REVISED: 01/19/99 10:15

TDR: 0171435

9000D

FILE: AAA00005140

MDL: -

MTL: -

BALDOR ELECTRIC Co.

3PH, DV, 9 LEADS

CD0005

Marketing maintained PDF of MN416:

<http://www.baldor.com/support/Literature/Load.ashx/MN416?ManNumber=MN416>