

**BALDOR<sup>®</sup> • RELIANCE** 

**Product Information Packet**

**CEM3586T**

**2HP,3490RPM,3PH,60HZ,143TC,0526M,TEFC,F1**

Part Detail							
Revision:	Q	Status:	PRD/A	Change #:		Proprietary:	No
Type:	AC	Elec. Spec:	05WGX117	CD Diagram:	CD0005	Mfg Plant:	
Mech. Spec:	05C052	Layout:	05LYC052	Poles:	02	Created Date:	07-14-2010
Base:	RG	Eff. Date:	06-26-2019	Leads:	9#18		

Specs			
Catalog Number:	CEM3586T	Heater Indicator:	No Heater
Enclosure:	TEFC	Insulation Class:	F
Frame:	143TC	Inverter Code:	Inverter Ready
Frame Material:	Iron	KVA Code:	M
Output @ Frequency:	2.000 HP @ 60 HZ	Lifting Lugs:	Standard Lifting Lugs
Synchronous Speed @ Frequency:	3600 RPM @ 60 HZ	Locked Bearing Indicator:	Locked Bearing
Voltage @ Frequency:	208.0 V @ 60 HZ	Motor Lead Quantity/Wire Size:	9 @ 18 AWG
	460.0 V @ 60 HZ	Motor Lead Exit:	Ko Box
	230.0 V @ 60 HZ	Motor Lead Termination:	Flying Leads
XP Class and Group:	None	Motor Type:	0526M
XP Division:	Not Applicable	Mounting Arrangement:	F1
Agency Approvals:	CSA	Power Factor:	88
	CSA EEV	Product Family:	General Purpose
	UR	Pulley End Bearing Type:	Ball
Auxillary Box:	No Auxillary Box	Pulley Face Code:	C-Face
Auxillary Box Lead Termination:	None	Pulley Shaft Indicator:	Standard
Base Indicator:	Rigid	Rodent Screen:	None
Bearing Grease Type:	Polyrex EM (-20F +300F)	Shaft Extension Location:	Pulley End

<b>Blower:</b>	None	<b>Shaft Ground Indicator:</b>	No Shaft Grounding
<b>Current @ Voltage:</b>	5.300 A @ 208.0 V	<b>Shaft Rotation:</b>	Reversible
	5.000 A @ 230.0 V	<b>Shaft Slinger Indicator:</b>	No Slinger
	2.500 A @ 460.0 V	<b>Speed Code:</b>	Single Speed
<b>Design Code:</b>	B	<b>Motor Standards:</b>	NEMA
<b>Drip Cover:</b>	No Drip Cover	<b>Starting Method:</b>	Direct on line
<b>Duty Rating:</b>	CONT	<b>Thermal Device - Bearing:</b>	None
<b>Electrically Isolated Bearing:</b>	Not Electrically Isolated	<b>Thermal Device - Winding:</b>	None
<b>Feedback Device:</b>	NO FEEDBACK	<b>Vibration Sensor Indicator:</b>	No Vibration Sensor
<b>Front Face Code:</b>	Standard	<b>Winding Thermal 1:</b>	None
<b>Front Shaft Indicator:</b>	None	<b>Winding Thermal 2:</b>	None

Nameplate NP1259L											
CAT.NO.	CEM3586T										
SPEC.	05C052X117E7										
HP	2										
VOLTS	208-230/460										
AMP	5.3-5/2.5										
RPM	3490										
FRAME	143TC					HZ	60		PH	3	
SER.F.	1.15					CODE	M	DES	B	CL	F
NEMA-NOM-EFF	85.5					PF	88				
RATING	40C AMB-CONT										
CC	010A								USABLE AT 208V		
DE	6205					ODE	6203				
ENCL	TEFC					SN					

Parts List		
Part Number	Description	Quantity
SA200230	SA 05C052X117E7	1.000 EA
RA187548	RA 05C052X117E7	1.000 EA
LB1115N	LABEL,LIFTING DEVICE (ON ROLLS)	1.000 EA
HW3201A05	3/8-16 EYEBOLT	1.000 EA
WD1000B16	T&B CX70TN OR L70P TERMINAL LUG	1.000 EA
10XN2520A06	1/4 20X3/8 HX HD CAP	2.000 EA
06CB3000	BALDOR CONDUIT BOX CAST	1.000 EA
06GS1000	GASKET,CONDUIT BOX	1.000 EA
51XW2520A12	SCREW, HEX SER SLT HD, ZN, 1/4-20 X .75	2.000 EA
11XW1032G06	10-32 X .38, TAPTITE II, HEX WSHR SLTD U	1.000 EA
HW3001B01	BRASS CUP WASHER, FOR #10 SCREW	1.000 EA
35EP1100A02	FR ENDPLATE, TEFC W/GREASER	1.000 EA
HW4500A01	1641B(ALEMITE)400 UNIV, GREASE FITT	1.000 EA
HW5100A03	WAVY WASHER (W1543-017)	1.000 EA
35EP1329A01	PU EP ENCL 143-5TC 205 BRG W/GRSR & STD	1.000 EA
HW4500A01	1641B(ALEMITE)400 UNIV, GREASE FITT	1.000 EA
51XN1032A20	10-32 X 1 1/4 HX WS SL SR	2.000 EA
HA3100A28	THRUBOLT 10-32 X 8.187	4.000 EA
51XB1214A16	12-14X1.00 HXWSSLD SERTYB	1.000 EA
35FH4005A02	IEC FH W/GREASER - W/PRIMER	1.000 EA
51XW1032A06	10-32 X .38, TAPTITE II, HEX WSHR SLTD S	3.000 EA
06CB3500	BALDOR CONDUIT BOX LID	1.000 EA
06GS1001	BALDOR CONDUIT BOX GASKET	1.000 EA
51XW2520A12	.25-20 X .75, TAPTITE II, HEX WSHR SLTD	2.000 EA

<b>Parts List (continued)</b>		
<b>Part Number</b>	<b>Description</b>	<b>Quantity</b>
HW2501D13	KEY, 3/16 SQ X 1.375	1.000 EA
HA7000A01	KEY RETAINER 7/8" DIA SHAFT	1.000 EA
85XU0407S04	4X1/4 U DRIVE PIN STAINLESS	2.000 EA
MJ1000A02	GREASE, MOBIL POLYREX EM - 124047	0.050 LB
34FN3002B01	EXTERNAL FAN, PLASTIC, .637/.639 HUB W/	1.000 EA
MG1000Y03	MUNSELL 2.53Y 6.70/ 4.60, GLOSS 20,	0.022 GA
LC0005E01	CONN.DIA./WARNING LABEL (LC0005/LB1119N)	1.000 EA
NP1259L	ALUM SUPER-E UL CSA-EEV CC NEMA PREMIUM	1.000 EA
36PA1000	PKG GRP, PRINT PK1016A06	1.000 EA
MN416A01	TAG-INSTAL-MAINT no wire (2100/bx) 4/22	1.000 EA

**AC Induction Motor Performance Data**

Record # 31839

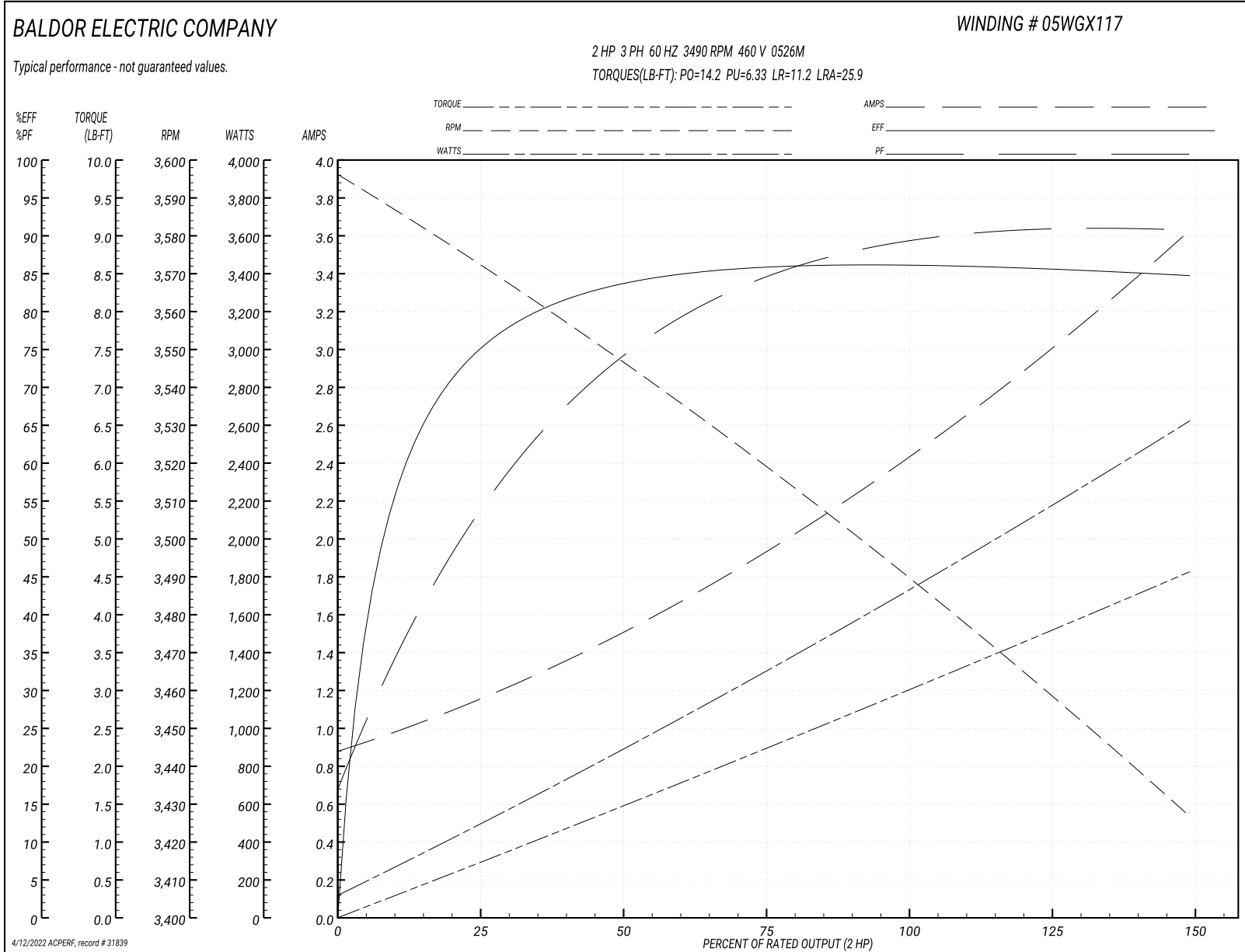
Typical performance - not guaranteed values

Winding: 05WGX117-R001		Type: 0526M	Enclosure: TEFC	
<b>Nameplate Data</b>			<b>460 V, 60 Hz: High Voltage Connection</b>	
Rated Output (HP)	2	Full Load Torque	2.98 LB-FT	
Volts	208-230/460	Start Configuration	direct on line	
Full Load Amps	5.3-5/2.5	Breakdown Torque	14.2 LB-FT	
R.P.M.	3490	Pull-up Torque	6.33 LB-FT	
Hz	60 Phase	Locked-rotor Torque	11.2 LB-FT	
NEMA Design Code	B KVA Code	Starting Current	25.9 A	
Service Factor (S.F.)	1.15	No-load Current	0.912 A	
NEMA Nom. Eff.	85.5 Power Factor	Line-line Res. @ 25°C	6.9119 Ω	
Rating - Duty	40C AMB-CONT	Temp. Rise @ Rated Load	44°C	
S.F. Amps		Temp. Rise @ S.F. Load	52°C	

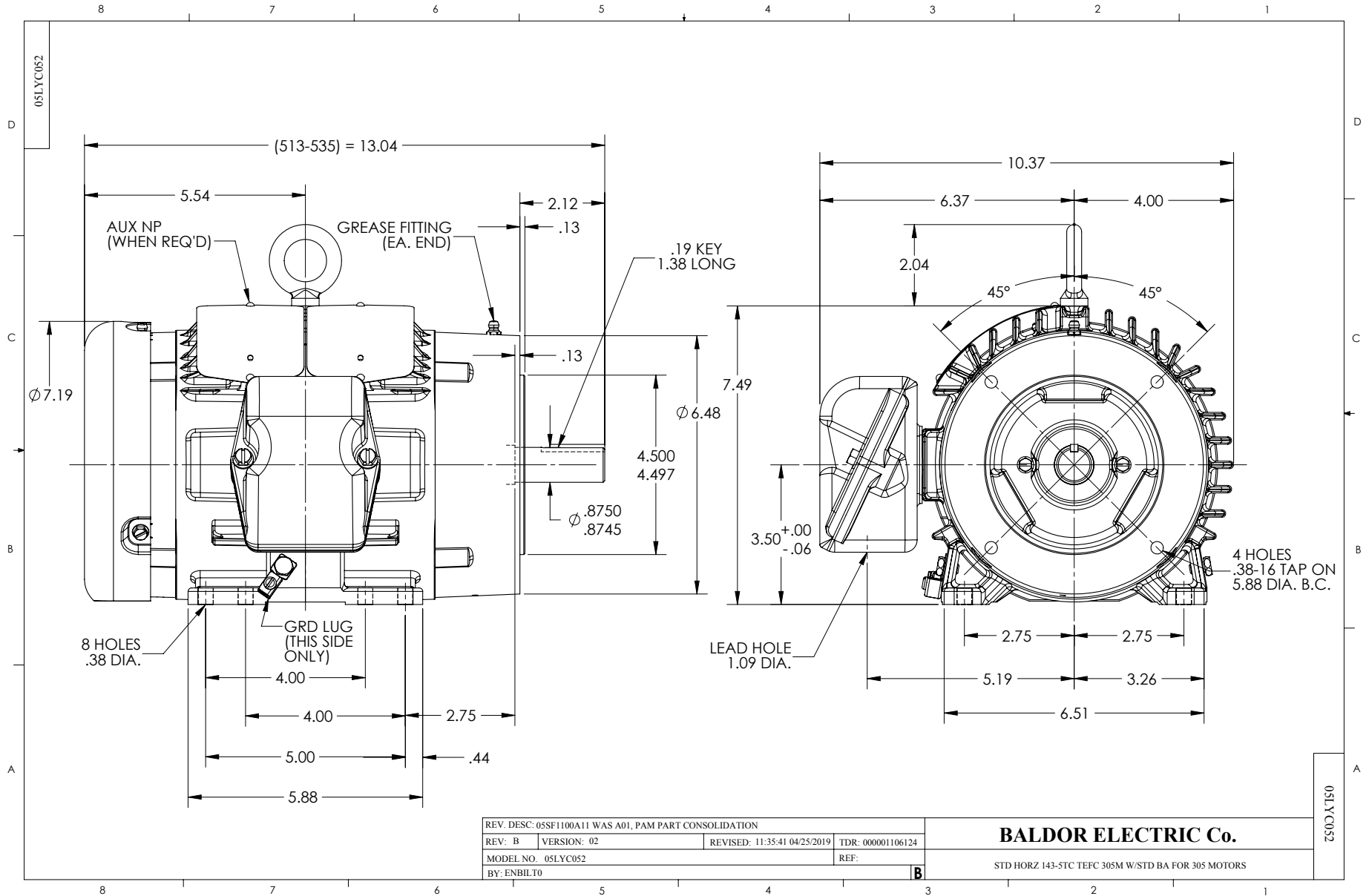
**Load Characteristics 460 V, 60 Hz, 2 HP**

% of Rated Load	25	50	75	100	125	150	S.F.
Power Factor	55	75	84	88	90	91	89
Efficiency	74.3	83.5	85.9	86.4	85.9	84.8	86.1
Speed	3571.7	3546.5	3520.2	3492.1	3460.7	3425.5	3473
Line amperes	1.1	1.47	1.93	2.44	3	3.61	2.78

Performance Graph at 460V, 60Hz, 2.0HP Typical performance - Not guaranteed values



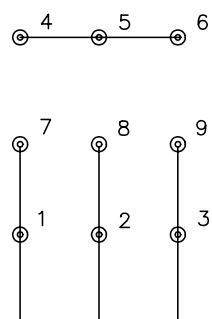




CD0005

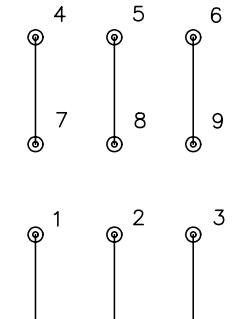


LOW VOLTAGE (2Y)



LINE

HIGH VOLTAGE (1Y)



LINE

NOTES:

1. INTERCHANGE ANY TWO LINE LEADS TO REVERSE ROTATION.
2. OPTIONAL THERMOSTATS ARE PROVIDED WHEN SPECIFIED.
3. ACTUAL NUMBER OF INTERNAL PARALLEL CIRCUITS MAY BE A MULTIPLE OF THOSE SHOWN ABOVE.
4. LEAD COLORS ARE OPTIONAL. LEADS MUST ALWAYS BE NUMBERED AS SHOWN.

REV. DESC: REVISE TO SHOW OPTIONAL COLORS			
REV. LTR: E	BY: JLP	REVISED: 01/19/99 10:15	TDR: 0171435
90000		FILE: AAA00005140	MDL: -
		MTL: -	

**BALDOR ELECTRIC Co.**

3PH, DV, 9 LEADS

CD0005