

BALDOR® • RELIANCE 

Product Information Packet

CEM3663T-5

5HP,3480RPM,3PH,60HZ,184TC,0628M,TEFC,F1

Part Detail							
Revision:	F	Status:	PRD/A	Change #:		Proprietary:	No
Type:	AC	Elec. Spec:	06WGX787	CD Diagram:	CD0006	Mfg Plant:	
Mech. Spec:	06F057	Layout:	06LYF057	Poles:	02	Created Date:	05-08-2015
Base:	RG	Eff. Date:	04-26-2017	Leads:	3#16		

Specs			
Catalog Number:	CEM3663T-5	Inverter Code:	Not Inverter
Enclosure:	TEFC	KVA Code:	L
Frame:	184TC	Lifting Lugs:	Standard Lifting Lugs
Frame Material:	Iron	Locked Bearing Indicator:	Locked Bearing
Output @ Frequency:	5.000 HP @ 60 HZ	Motor Lead Quantity/Wire Size:	3 @ 16 AWG
Synchronous Speed @ Frequency:	3600 RPM @ 60 HZ	Motor Lead Exit:	Ko Box
Voltage @ Frequency:	575.0 V @ 60 HZ	Motor Lead Termination:	Flying Leads
XP Class and Group:	None	Motor Type:	0628M
XP Division:	Not Applicable	Mounting Arrangement:	F1
Agency Approvals:	CSA	Power Factor:	90
	CSA EEV	Product Family:	General Purpose
	UR	Pulley End Bearing Type:	Ball
Auxillary Box:	No Auxillary Box	Pulley Face Code:	C-Face
Auxillary Box Lead Termination:	None	Pulley Shaft Indicator:	Standard
Base Indicator:	Rigid	Rodent Screen:	None
Bearing Grease Type:	Polyrex EM (-20F +300F)	Shaft Extension Location:	Pulley End
Blower:	None	Shaft Ground Indicator:	No Shaft Grounding
Current @ Voltage:	4.700 A @ 575.0 V	Shaft Rotation:	Reversible

Design Code:	A	Shaft Slinger Indicator:	No Slinger
Drip Cover:	No Drip Cover	Speed Code:	Single Speed
Duty Rating:	CONT	Motor Standards:	NEMA
Electrically Isolated Bearing:	Not Electrically Isolated	Starting Method:	Direct on line
Feedback Device:	NO FEEDBACK	Thermal Device - Bearing:	None
Front Face Code:	Standard	Thermal Device - Winding:	None
Front Shaft Indicator:	None	Vibration Sensor Indicator:	No Vibration Sensor
Heater Indicator:	No Heater	Winding Thermal 1:	None
Insulation Class:	F	Winding Thermal 2:	None

Nameplate NP3441L										
CAT.NO.	CEM3663T-5									
SPEC.	06F057X787G1									
HP	5									
VOLTS	575									
AMP	4.7									
RPM	3480									
FRAME	184TC				HZ	60			PH	3
SER.F.	1.15		CODE	L	DES	A		CL	F	
NEMA-NOM-EFF	88.5		PF	90						
RATING	40C AMB-CONT									
CC	010A				USABLE AT 208V					
DE	6206				ODE	6205				
ENCL	TEFC		SN							
VPWM INVERTER READY										
CT6-60H(10:1)VT3-60H(20:1)										

Parts List		
Part Number	Description	Quantity
SA300398	SA 06F057X787G1	1.000 EA
RA287452	RA 06F057X787G1	1.000 EA
HW3201A05	3/8-16 EYEBOLT	1.000 EA
06CB3000	BALDOR CONDUIT BOX CAST	1.000 EA
06GS1000	GASKET,CONDUIT BOX	1.000 EA
51XW2520A12	SCREW, HEX SER SLT HD, ZN, 1/4-20 X .75	2.000 EA
11XW1032G06	10-32 X .38, TAPTITE II, HEX WSHR SLTD U	1.000 EA
HW3001B01	BRASS CUP WASHER, FOR #10 SCREW	1.000 EA
36FE1101A21	FREP ASSEMBLY FOR ROUTING PURPOSES	1.000 EA
HW4500A01	1641B(ALEMITE)400 UNIV, GREASE FITT	1.000 EA
HW4500A17	317400 ALEMITE GREASE RELIEF	1.000 EA
HW5100A05	WVY WSHR F/205 & 304 BRGS	1.000 EA
36PE1300A13	PU ENDPLATE, FOR ROUTING PURPOSES	1.000 EA
HW4500A01	1641B(ALEMITE)400 UNIV, GREASE FITT	1.000 EA
HW4500A17	317400 ALEMITE GREASE RELIEF	1.000 EA
10XN2520A26	1/4-20X 1 5/8 HEX HD	4.000 EA
HW1001A25	LOCKWASHER 1/4, ZINC PLT .493 OD, .255 I	4.000 EA
HA3101A34	THRUBOLT- 1/4-20 X 10.375	4.000 EA
51XB1214A16	12-14X1.00 HXWSSLD SERTYB	1.000 EA
36FH4009A31	IEC FH W/GREASER & SPL NOTCH, W/ PRIMER	1.000 EA
51XW1032A06	10-32 X .38, TAPTITE II, HEX WSHR SLTD S	3.000 EA
06CB3500	BALDOR CONDUIT BOX LID	1.000 EA
06GS1001	BALDOR CONDUIT BOX GASKET	1.000 EA
51XW2520A12	.25-20 X .75, TAPTITE II, HEX WSHR SLTD	2.000 EA

Parts List (continued)		
Part Number	Description	Quantity
HW2501E16	KEY, 1/4 SQ X 1.750	1.000 EA
HA7000A02	KEY RETAINER RING, 1 1/8 DIA, 1 3/8 DIA	1.000 EA
85XU0407S04	4X1/4 U DRIVE PIN STAINLESS	2.000 EA
LB1115N	LABEL,LIFTING DEVICE (ON ROLLS)	1.000 EA
MJ1000A02	GREASE, MOBIL POLYREX EM - 124047	0.050 LB
36FN3000C01SP	EXFN, PLASTIC, 5.25 OD, .912 ID	1.000 EA
MG1000Y03	MUNSELL 2.53Y 6.70/ 4.60, GLOSS 20,	0.028 GA
LB1119N	WARNING LABEL	1.000 EA
LC0006	CONNECTION LABEL	1.000 EA
NP3441L	ALUM SUPER-E VPWM INVERTER READY UL	1.000 EA
36PA1001	PKG GRP, PRINT PK1017A06	1.000 EA
MN416A01	TAG-INSTAL-MAINT no wire (2100/bx) 4/22	1.000 EA

AC Induction Motor Performance Data

Record # 50653

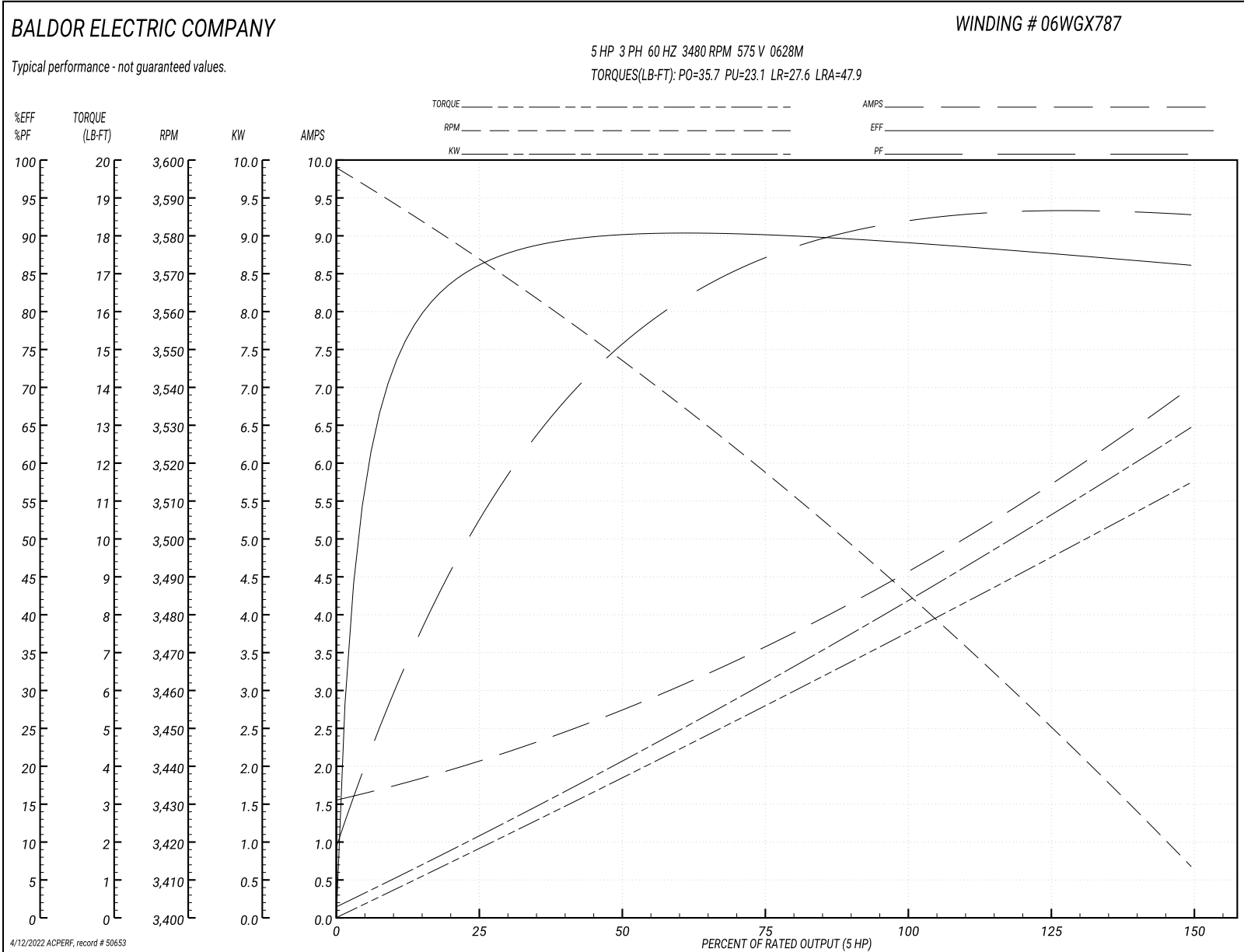
Typical performance - not guaranteed values

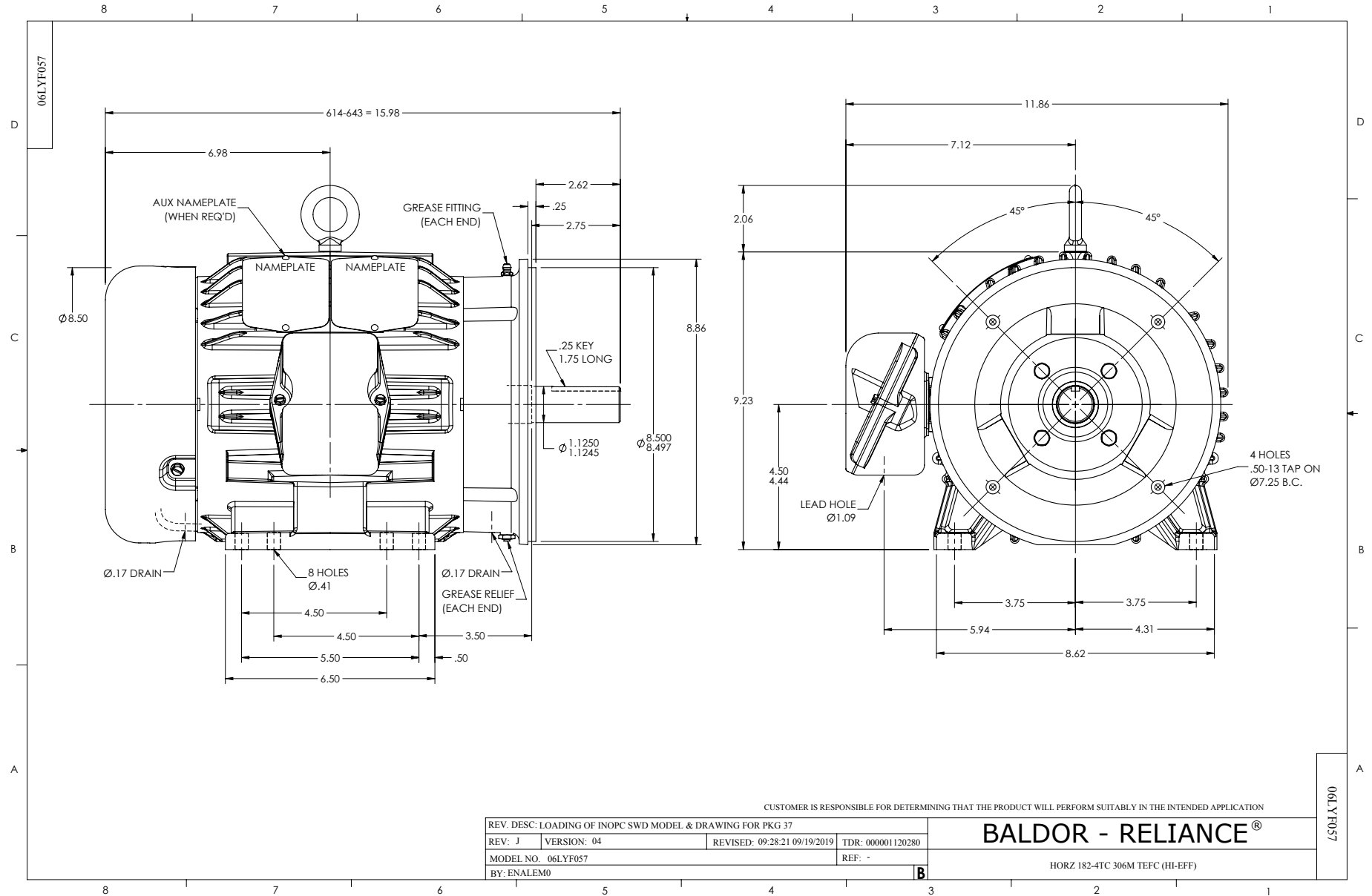
Winding: 06WGX787-R001		Type: 0628M	Enclosure: TEFC	
Nameplate Data			575 V, 60 Hz: Single Voltage Motor	
Rated Output (HP)	5	Full Load Torque	7.55 LB-FT	
Volts	575	Start Configuration	direct on line	
Full Load Amps	4.7	Breakdown Torque	35.7 LB-FT	
R.P.M.	3480	Pull-up Torque	23.1 LB-FT	
Hz	60 Phase	Locked-rotor Torque	27.6 LB-FT	
NEMA Design Code	A KVA Code	Starting Current	47.9 A	
Service Factor (S.F.)	1.15	No-load Current	1.64 A	
NEMA Nom. Eff.	88.5 Power Factor	Line-line Res. @ 25°C	4.4 Ω	
Rating - Duty	40C AMB-CONT	Temp. Rise @ Rated Load	57°C	
S.F. Amps		Temp. Rise @ S.F. Load	70°C	
		Locked-rotor Power Factor	51.1	
		Rotor inertia	0.125 LB-FT ²	

Load Characteristics 575 V, 60 Hz, 5 HP

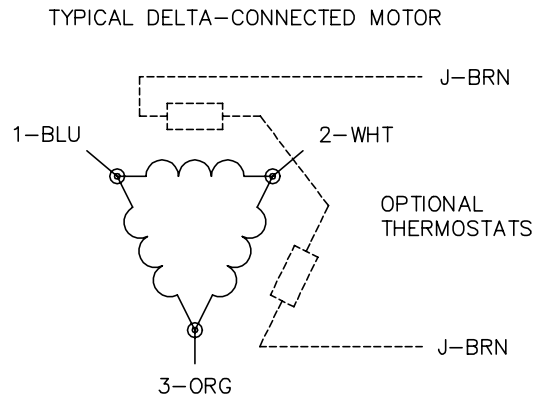
% of Rated Load	25	50	75	100	125	150	S.F.
Power Factor	56	77	86	91	93	94	92
Efficiency	85.6	89.8	90.2	89.3	87.8	86	88.4
Speed	3574	3547	3517	3485	3452	3413	3465
Line amperes	1.96	2.68	3.62	4.64	5.74	6.95	5.3

Performance Graph at 575V, 60Hz, 5.0HP Typical performance - Not guaranteed values





CD0006



NOTES:

1. THREE LEAD MOTOR MAY BE EITHER WYE CONNECTED OR DELTA CONNECTED.
2. INTERCHANGE ANY TWO LINE LEADS TO REVERSE ROTATION.
3. OPTIONAL THERMOSTATS ARE PROVIDED WHEN SPECIFIED.
4. ACTUAL NUMBER OF INTERNAL PARALLEL CIRCUITS MAY VARY.
5. LEAD COLORS ARE OPTIONAL. LEADS MUST BE NUMBERED AS SHOWN.

CD0006

REV. DESC: ADD CLASS CONN00000007		
REV. LTR: E	VERSION: 01	TDR: 000001099922
FILE: \AAA\00005\141	REVISED: 10:24:49 02/19/2019	BY: ENBRIRO
MTL: -	© □	

BALDOR - RELIANCE®

3PH, SV, 3 LEADS, WYE OR DELTA CONNECTED

SH 1 of 1