

BALDOR® • RELIANCE 

Product Information Packet

CEM3714T

10HP,1770RPM,3PH,60HZ,215TC,3752M,TEFC,F

| Part Detail | | | | | | | |
|-------------|--------|-------------|------------|-------------|--------|---------------|------------|
| Revision: | A | Status: | PRD/A | Change #: | | Proprietary: | No |
| Type: | AC | Elec. Spec: | 37WGL865 | CD Diagram: | CD0005 | Mfg Plant: | |
| Mech. Spec: | 37G814 | Layout: | 37LYG814 | Poles: | 04 | Created Date: | 11-11-2020 |
| Base: | RG | Eff. Date: | 12-14-2020 | Leads: | 9#14 | | |

| Specs | | | |
|---------------------------------|-------------------------|--------------------------------|-----------------------|
| Catalog Number: | CEM3714T | Insulation Class: | F |
| Enclosure: | TEFC | Inverter Code: | Inverter Ready |
| Frame: | 215TC | KVA Code: | K |
| Frame Material: | Steel | Lifting Lugs: | Standard Lifting Lugs |
| Output @ Frequency: | 10.000 HP @ 60 HZ | Locked Bearing Indicator: | Locked Bearing |
| Synchronous Speed @ Frequency: | 1800 RPM @ 60 HZ | Motor Lead Quantity/Wire Size: | 9 @ 14 AWG |
| Voltage @ Frequency: | 460.0 V @ 60 HZ | Motor Lead Exit: | Ko Box |
| | 230.0 V @ 60 HZ | Motor Lead Termination: | Flying Leads |
| XP Class and Group: | None | Motor Type: | 3752M |
| XP Division: | Not Applicable | Mounting Arrangement: | F1 |
| Agency Approvals: | UR | Power Factor: | 85 |
| | CSA EEV | Product Family: | General Purpose |
| | CSA | Pulley End Bearing Type: | Ball |
| Auxillary Box: | No Auxillary Box | Pulley Face Code: | C-Face |
| Auxillary Box Lead Termination: | None | Pulley Shaft Indicator: | Standard |
| Base Indicator: | Rigid | Rodent Screen: | None |
| Bearing Grease Type: | Polyrex EM (-20F +300F) | RoHS Status: | ROHS COMPLIANT |
| Blower: | None | Shaft Extension Location: | Pulley End |

| | | | |
|---------------------------------------|---------------------------|------------------------------------|---------------------|
| Current @ Voltage: | 12.500 A @ 460.0 V | Shaft Ground Indicator: | No Shaft Grounding |
| | 25.000 A @ 230.0 V | Shaft Rotation: | Reversible |
| | 27.000 A @ 208.0 V | Shaft Slinger Indicator: | No Slinger |
| Design Code: | A | Speed Code: | Single Speed |
| Drip Cover: | No Drip Cover | Motor Standards: | NEMA |
| Duty Rating: | CONT | Starting Method: | Direct on line |
| Electrically Isolated Bearing: | Not Electrically Isolated | Thermal Device - Bearing: | None |
| Feedback Device: | NO FEEDBACK | Thermal Device - Winding: | None |
| Front Face Code: | Standard | Vibration Sensor Indicator: | No Vibration Sensor |
| Front Shaft Indicator: | None | Winding Thermal 1: | None |
| Heater Indicator: | No Heater | Winding Thermal 2: | None |

| | | | | | | | | | | |
|----------------------------------|-------------------------------|--|-------------|------------|-----------------------|----|--|--------------|-----------|----|
| Nameplate NP3441LUA | | | | | | | | | | |
| CAT.NO. | CEM3714T | | | | | | | | | |
| SPEC | 37G814L865G1 | | | | | | | | | |
| HP | 10 | | | | | | | | | |
| VOLTS | 230/460 | | | | | | | | | |
| AMPS | 25/12.5 | | | | | | | | | |
| RPM | 1770 | | | | | | | | | |
| FRAME | 215TC | | | | HZ | 60 | | | PH | 3 |
| SF | 1.15 | | CODE | K | DES | A | | CLASS | F | |
| NEMA NOM. EFF | 91.7 | | PF | 85 | | | | | | |
| RATING | 40C AMB-CONT | | | | | | | | | |
| CC | 010A | | | | USABLE AT 208V | | | | | 27 |
| ENCL | TEFC | | SER | | | | | | | |
| DE | 6307 | | | ODE | 6206 | | | | | |
| VPWM INVERTER READY | | | | | | | | | | |
| CT6-60H(10:1)VT3-60H(20:1 | | | | | | | | | | |
| | 50HZ 10HP 190/380V 29.8/14.9A | | | | | | | | | |
| | SF1.0 | | | | | | | | | |

| Parts List | | |
|-------------|--|----------|
| Part Number | Description | Quantity |
| SA387939 | SA 37G814L865G1 | 1.000 EA |
| RA378279 | RA 37G814L865G1 | 1.000 EA |
| HW3200A01 | 3/8-16X3/4 I-BLT WELDED F/S | 1.000 EA |
| 37CB3006 | 37 CB CASTING W/1.38 LEAD HOLE @ 6:00 | 1.000 EA |
| 37GS1000SP | GASKET, CONDUIT BOX STD., .06 THICK LEXI | 1.000 EA |
| 51XW2520A12 | .25-20 X .75, TAPTITE II, HEX WSHR SLTD | 2.000 EA |
| 11XW1032G06 | 10-32 X .38, TAPTITE II, HEX WSHR SLTD U | 1.000 EA |
| 37EP3101A01 | FR ENDPLATE, FOR ROUTING PURPOSES | 1.000 EA |
| HW4500A01 | 1641B(ALEMITE)400 UNIV, GREASE FITT | 1.000 EA |
| HW5100A06 | W2420-025 WVY WSHR (WB) | 1.000 EA |
| 37PE3300A01 | PUEP ASSEMBLY FOR ROUTING | 1.000 EA |
| HW4500A01 | 1641B(ALEMITE)400 UNIV, GREASE FITT | 1.000 EA |
| 10XN2520A30 | HEX HD CAP SCREW-STD THD-.25 X 20 THD PE | 4.000 EA |
| HW1001A25 | LOCKWASHER 1/4, ZINC PLT .493 OD, .255 I | 4.000 EA |
| XY3118A12 | 5/16-18 HEX NUT DIRECTIONAL SERRATION | 4.000 EA |
| 51XB1214A20 | 12-14X1.25 HXWSSLD SERTYB | 1.000 EA |
| 37FN3002C01 | EXFN, PLASTIC, 6.00 OD, 1.155 ID | 1.000 EA |
| 07FH4007SP | PRIMED | 1.000 EA |
| 51XW1032A06 | 10-32 X .38, TAPTITE II, HEX WSHR SLTD S | 3.000 EA |
| 37CB4516 | LIPPED LID FOR 37 FRAME NEC KOBX | 1.000 EA |
| 37GS1008 | 37 GS FOR CB LID - LEXIDE | 1.000 EA |
| 51XW0832A07 | 8-32 X .44, TAPTITE II, HEX WSHR SLTD SE | 4.000 EA |
| HW2501F21 | KEY, 5/16 SQ X 2.375 | 1.000 EA |
| HA7000A02 | KEY RETAINER RING, 1 1/8 DIA, 1 3/8 DIA | 1.000 EA |

| Parts List (continued) | | |
|-------------------------------|--|-----------------|
| Part Number | Description | Quantity |
| 85XU0407S04 | 4X1/4 U DRIVE PIN STAINLESS | 2.000 EA |
| LB1115N | LABEL,LIFTING DEVICE (ON ROLLS) | 1.000 EA |
| MJ1000A02 | GREASE, MOBIL POLYREX EM - 124047 | 0.050 LB |
| HA3104A25 | THRUBOLT .31-18 X 14.75 | 4.000 EA |
| MG1000Y03 | MUNSELL 2.53Y 6.70/ 4.60, GLOSS 20, | 0.028 GA |
| LC0005E01 | CONN.DIA./WARNING LABEL (LC0005/LB1119N) | 1.000 EA |
| NP3441LUA | ALUM SUPER-E VPWM INV READY UL CSA-EEV C | 1.000 EA |
| 37PA1074 | PALLET PACK GRP, PRINT BOX PK1026A06 | 1.000 EA |
| MN416A01 | TAG-INSTAL-MAINT no wire (2100/bx) 4/22 | 1.000 EA |
| 51XB1214A20 | 12-14X1.25 HXWSSLD SERTYB | 1.000 EA |

AC Induction Motor Performance Data

Record # 85459

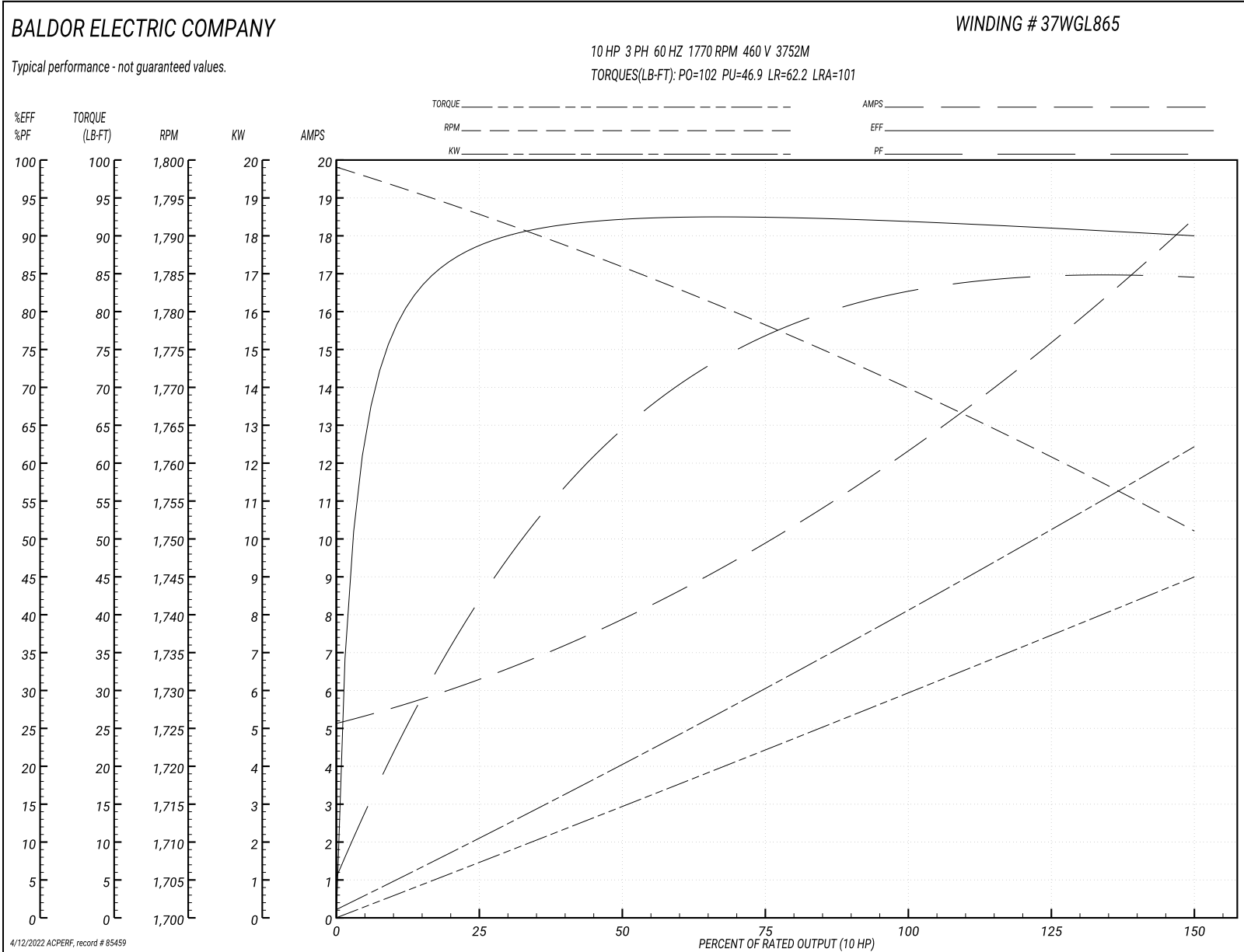
Preliminary Data Sheet

| Winding: 37WGL865-R001 | | Type: 3752M | | Enclosure: TEFC | |
|-------------------------------|-------------------|----------------------------------|--|------------------------|--|
| Nameplate Data | | | 460 V, 60 Hz: High Voltage Connection | | |
| Rated Output (HP) | 10 | Full Load Torque | 29.7 LB-FT | | |
| Volts | 230/460 | Start Configuration | direct on line | | |
| Full Load Amps | 25.0/12.5 | Breakdown Torque | 102 LB-FT | | |
| R.P.M. | 1770 | Pull-up Torque | 46.9 LB-FT | | |
| Hz | 60 Phase | Locked-rotor Torque | 62.2 LB-FT | | |
| NEMA Design Code | A KVA Code | Starting Current | 101 A | | |
| Service Factor (S.F.) | 1.15 | No-load Current | 5.33 A | | |
| NEMA Nom. Eff. | 91.7 Power Factor | Line-line Res. @ 25°C | 0.982 Ω | | |
| Rating - Duty | 40C AMB-CONT | Temp. Rise @ Rated Load | 69°C | | |
| S.F. Amps | 28.2/14.6 | Temp. Rise @ S.F. Load | 92°C | | |
| | | Locked-rotor Power Factor | 42 | | |
| | | Rotor inertia | 1.28 lb-ft ² | | |

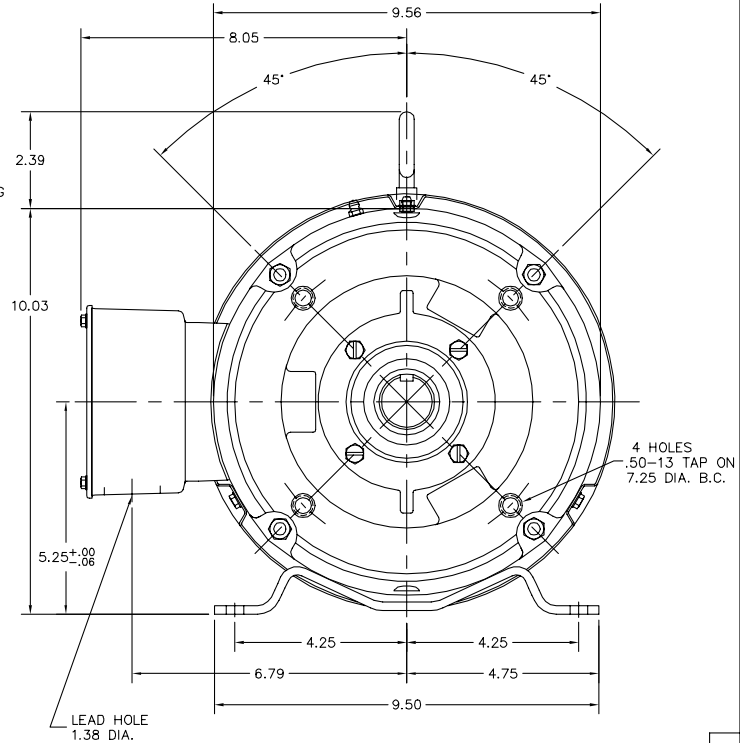
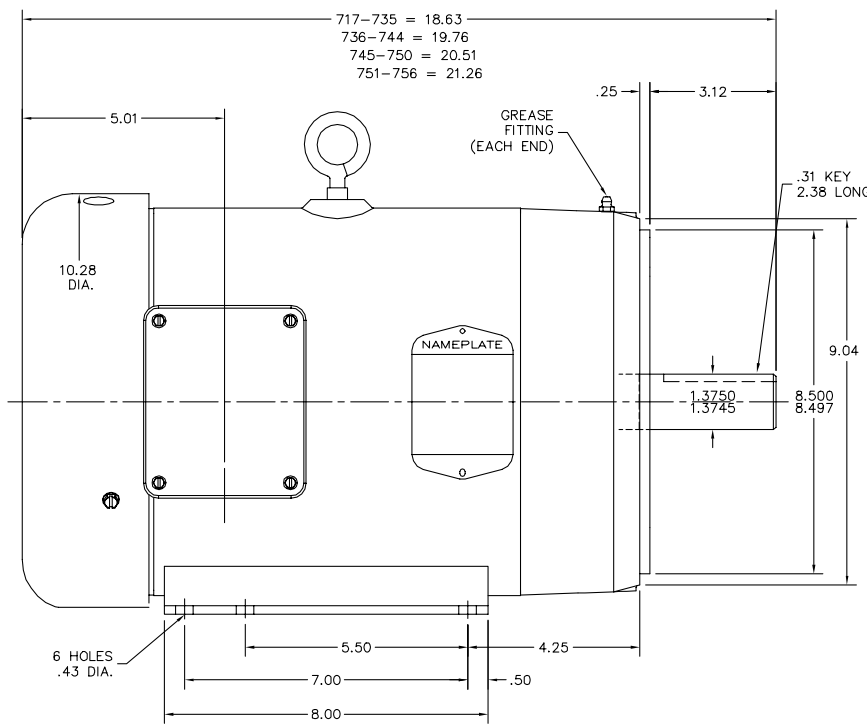
Load Characteristics 460 V, 60 Hz, 10 HP

| % of Rated Load | 25 | 50 | 75 | 100 | 125 | 150 | S.F. |
|------------------------|-----------|-----------|-----------|------------|------------|------------|-------------|
| Power Factor | 44 | 66 | 77 | 82 | 84 | 85 | 84 |
| Efficiency | 88.7 | 92.3 | 92.7 | 92.2 | 91.3 | 90 | 91.4 |
| Speed | 1793 | 1786 | 1778 | 1770 | 1761 | 1751 | 1762 |
| Line amperes | 6.05 | 7.73 | 9.9 | 12.5 | 15.3 | 18.3 | 14.1 |

Performance Graph at 460V, 60Hz, 10.0HP Typical performance - Not guaranteed values



37LYG814



37LYG814

CUSTOMER IS RESPONSIBLE FOR DETERMINING THAT BALDOR'S PRODUCT WILL PERFORM SUITABLY IN THE INTENDED APPLICATION.

| | | |
|--|------------------------------|-------------------|
| REV. DESC: UPDATE LAYOUT GRAPHICS - NO DIM CHANGES | | |
| REV. LTR: D | VERSION: 01 | TDR: 000000859468 |
| FILE: \AAA\00051\948 | REVISED: 11:08:35 06/24/2014 | BY: ENBRAMO |
| MTL: - | | |

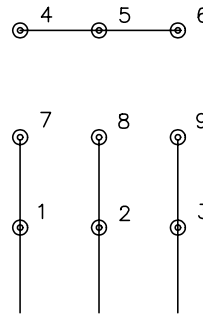
BALDOR

STD HORZ 213-5TC TEFC 37M W/EPACT SHOVE
SH 1 of 1

CD0005

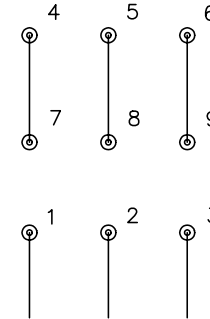


LOW VOLTAGE
(2Y)



LINE

HIGH VOLTAGE
(1Y)



LINE

NOTES:

1. INTERCHANGE ANY TWO LINE LEADS TO REVERSE ROTATION.
2. OPTIONAL THERMOSTATS ARE PROVIDED WHEN SPECIFIED.
3. ACTUAL NUMBER OF INTERNAL PARALLEL CIRCUITS MAY BE A MULTIPLE OF THOSE SHOWN ABOVE.
4. LEAD COLORS ARE OPTIONAL. LEADS MUST ALWAYS BE NUMBERED AS SHOWN.

REV. DESC: REVISE TO SHOW OPTIONAL COLORS

REV. LTR: E BY: JLP

REVISED: 01/19/99 10:15

TDR: 0171435

9000D

FILE: AAA00005140

MDL: -

MTL: -

BALDOR ELECTRIC Co.

3PH, DV, 9 LEADS

CD0005