

**BALDOR® • RELIANCE** 

**Product Information Packet**

**CEM3769T-5**

**7.5HP,3500RPM,3PH,60HZ,213TC,0724M,TEFC**

Part Detail							
Revision:	L	Status:	PRD/A	Change #:		Proprietary:	No
Type:	AC	Elec. Spec:	07WGY363	CD Diagram:	CD0006	Mfg Plant:	
Mech. Spec:	07H058	Layout:	07LYH058	Poles:	02	Created Date:	09-24-2012
Base:	RG	Eff. Date:	06-14-2021	Leads:	3#14		

Specs			
Catalog Number:	CEM3769T-5	Inverter Code:	Inverter Ready
Enclosure:	TEFC	KVA Code:	H
Frame:	213TC	Lifting Lugs:	Standard Lifting Lugs
Frame Material:	Iron	Locked Bearing Indicator:	Locked Bearing
Output @ Frequency:	7.500 HP @ 60 HZ	Motor Lead Quantity/Wire Size:	3 @ 14 AWG
Synchronous Speed @ Frequency:	3600 RPM @ 60 HZ	Motor Lead Exit:	Ko Box
Voltage @ Frequency:	575.0 V @ 60 HZ	Motor Lead Termination:	Flying Leads
XP Class and Group:	None	Motor Type:	0724M
XP Division:	Not Applicable	Mounting Arrangement:	F1
Agency Approvals:	CSA	Power Factor:	84
	CSA EEV	Product Family:	General Purpose
	UR	Pulley End Bearing Type:	Ball
Auxillary Box:	No Auxillary Box	Pulley Face Code:	C-Face
Auxillary Box Lead Termination:	None	Pulley Shaft Indicator:	Standard
Base Indicator:	Rigid	Rodent Screen:	None
Bearing Grease Type:	Polyrex EM (-20F +300F)	Shaft Extension Location:	Pulley End
Blower:	None	Shaft Ground Indicator:	No Shaft Grounding
Current @ Voltage:	7.400 A @ 575.0 V	Shaft Rotation:	Reversible

<b>Design Code:</b>	B	<b>Shaft Slinger Indicator:</b>	No Slinger
<b>Drip Cover:</b>	No Drip Cover	<b>Speed Code:</b>	Single Speed
<b>Duty Rating:</b>	CONT	<b>Motor Standards:</b>	NEMA
<b>Electrically Isolated Bearing:</b>	Not Electrically Isolated	<b>Starting Method:</b>	Direct on line
<b>Feedback Device:</b>	NO FEEDBACK	<b>Thermal Device - Bearing:</b>	None
<b>Front Face Code:</b>	Standard	<b>Thermal Device - Winding:</b>	None
<b>Front Shaft Indicator:</b>	None	<b>Vibration Sensor Indicator:</b>	No Vibration Sensor
<b>Heater Indicator:</b>	No Heater	<b>Winding Thermal 1:</b>	None
<b>Insulation Class:</b>	F	<b>Winding Thermal 2:</b>	None

<b>Nameplate NP3441L</b>										
<b>CAT.NO.</b>	CEM3769T-5									
<b>SPEC.</b>	07H058Y363G1									
<b>HP</b>	7.5									
<b>VOLTS</b>	575									
<b>AMP</b>	7.4									
<b>RPM</b>	3500									
<b>FRAME</b>	213TC				<b>HZ</b>	60			<b>PH</b>	3
<b>SER.F.</b>	1.15		<b>CODE</b>	H	<b>DES</b>	B		<b>CL</b>	F	
<b>NEMA-NOM-EFF</b>	89.5		<b>PF</b>	84						
<b>RATING</b>	40C AMB-CONT									
<b>CC</b>	010A				<b>USABLE AT 208V</b>					
<b>DE</b>	6307				<b>ODE</b>	6206				
<b>ENCL</b>	TEFC		<b>SN</b>							
<b>VPWM INVERTER READY</b>										
CT6-60H(10:1)VT3-60H(20:1)										

Parts List		
Part Number	Description	Quantity
SA251649	SA 07H058Y363G1	1.000 EA
RA238486	RA 07H058Y363G1	1.000 EA
36FN3000C02SP	EXFN, PLASTIC, 5.25 OD, 1.175 ID	1.000 EA
HW3201A05	3/8-16 EYEBOLT	1.000 EA
09CB3002SP	CB W/1.38 LEAD HOLE FOR 37, 39, 307 & 30	1.000 EA
09GS1000SP	GASKET-CONDUIT BOX, 1/16 THICK LEXIDE	1.000 EA
51XW2520A12	.25-20 X .75, TAPTITE II, HEX WSHR SLTD	2.000 EA
59XW2520G07	.25-20X.44,HEX SER WSHR,TAPTITE 2,GREEN	1.000 EA
37EP1100A41	FR ENDPLATE ASSEMBLY FOR ROUTING	1.000 EA
HW4500A17	317400 ALEMITE GREASE RELIEF	1.000 EA
HW4500A01	1641B(ALEMITE)400 UNIV, GREASE FITT	1.000 EA
HW5100A06	W2420-025 WVY WSHR (WB)	1.000 EA
37PE1300A10	PUEP ASSEMBLY FOR ROUTING	1.000 EA
HW4500A17	317400 ALEMITE GREASE RELIEF	1.000 EA
HW4500A01	1641B(ALEMITE)400 UNIV, GREASE FITT	1.000 EA
10XN2520A30	HEX HD CAP SCREW-STD THD-.25 X 20 THD PE	4.000 EA
HW1001A25	LOCKWASHER 1/4, ZINC PLT .493 OD, .255 I	4.000 EA
XY3118A12	5/16-18 HEX NUT DIRECTIONAL SERRATION	4.000 EA
51XB1214A20	12-14X1.25 HXWSSLD SERTYB	1.000 EA
07FH4007SP	PRIMED	1.000 EA
51XW1032A06	10-32 X .38, TAPTITE II, HEX WSHR SLTD S	3.000 EA
09CB3501SP	CONDUIT BOX LID FOR 09CB3001 & 09CB3002	1.000 EA
09GS1013SP	GS FOR 09CB3501, 12CB1500 & 12CB1503 LID	1.000 EA
51XW2520A12	.25-20 X .75, TAPTITE II, HEX WSHR SLTD	2.000 EA

<b>Parts List (continued)</b>		
<b>Part Number</b>	<b>Description</b>	<b>Quantity</b>
HW2501F21	KEY, 5/16 SQ X 2.375	1.000 EA
HA7000A02	KEY RETAINER RING, 1 1/8 DIA, 1 3/8 DIA	1.000 EA
85XU0407S04	4X1/4 U DRIVE PIN STAINLESS	2.000 EA
LB1115N	LABEL,LIFTING DEVICE (ON ROLLS)	1.000 EA
MJ1000A02	GREASE, MOBIL POLYREX EM - 124047	0.050 LB
HA3104A32	THRUBOLT- 5/16-18 X12.750	4.000 EA
MG1000Y03	MUNSELL 2.53Y 6.70/ 4.60, GLOSS 20,	0.036 GA
LC0006	CONNECTION LABEL	1.000 EA
LB1119N	WARNING LABEL	1.000 EA
NP3441L	ALUM SUPER-E VPWM INVERTER READY UL	1.000 EA
07PA1011	PKG GRP, 07 CAST IRON PK1181	1.000 EA
MN416A01	TAG-INSTAL-MAINT no wire (2100/bx) 4/22	1.000 EA

**AC Induction Motor Performance Data**

Record # 39891

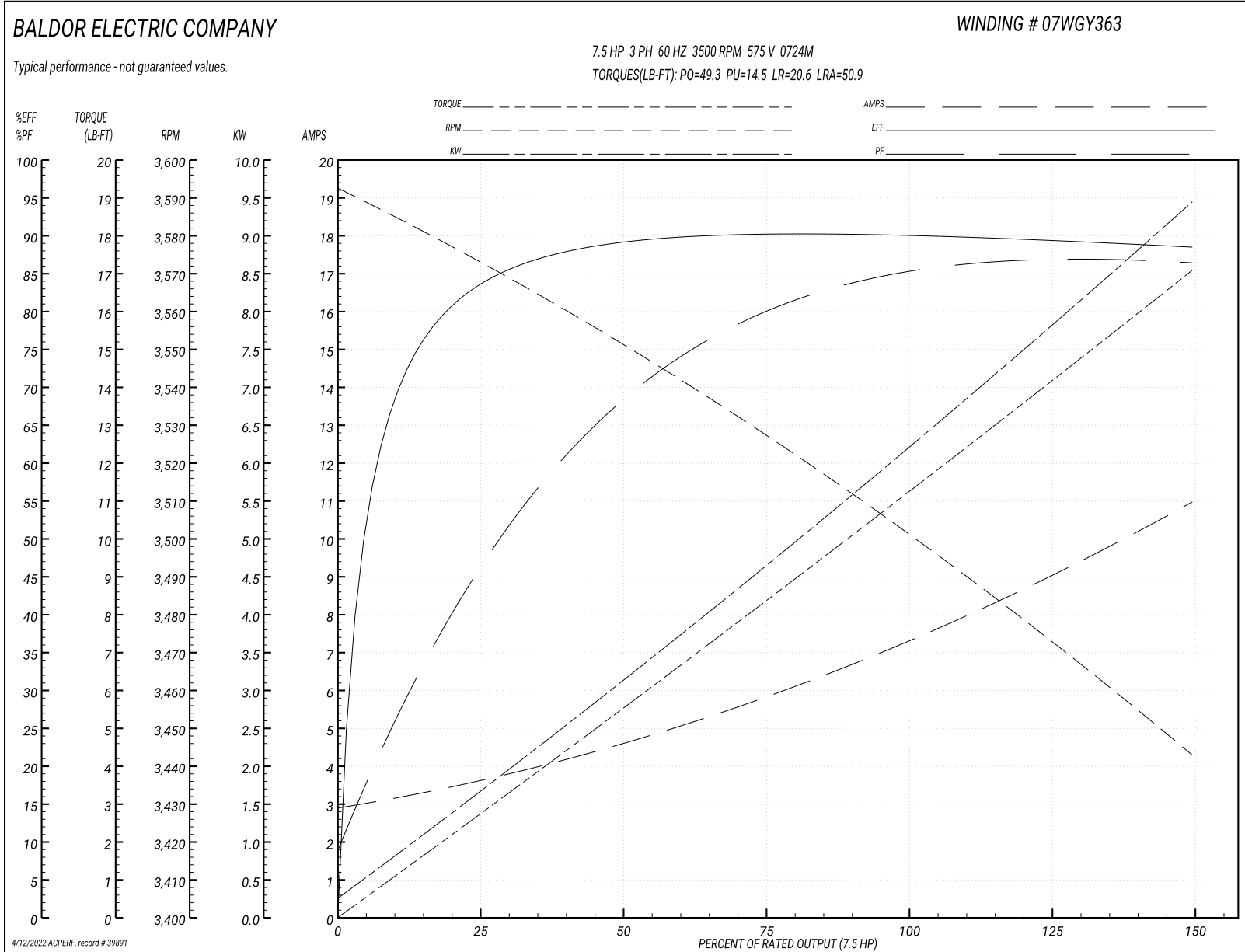
Typical performance - not guaranteed values

Winding: 07WGY363-R001			Type: 0724M	Enclosure: TEFC	
<b>Nameplate Data</b>			<b>575 V, 60 Hz: Single Voltage Motor</b>		
Rated Output (HP)	7.5		Full Load Torque	11.2 LB-FT	
Volts	575		Start Configuration	direct on line	
Full Load Amps	7.4		Breakdown Torque	49.3 LB-FT	
R.P.M.	3500		Pull-up Torque	14.5 LB-FT	
Hz	60	Phase	3	Locked-rotor Torque	20.6 LB-FT
NEMA Design Code	B	KVA Code	H	Starting Current	50.9 A
Service Factor (S.F.)	1.15			No-load Current	3.01 A
NEMA Nom. Eff.	0	Power Factor	0	Line-line Res. @ 25°C	1.89 Ω
Rating - Duty		40C AMB-CONT		Temp. Rise @ Rated Load	47°C
S.F. Amps				Temp. Rise @ S.F. Load	57°C
				Locked-rotor Power Factor	34
				Rotor inertia	0.219 LB-FT <sup>2</sup>

**Load Characteristics 575 V, 60 Hz, 7.5 HP**

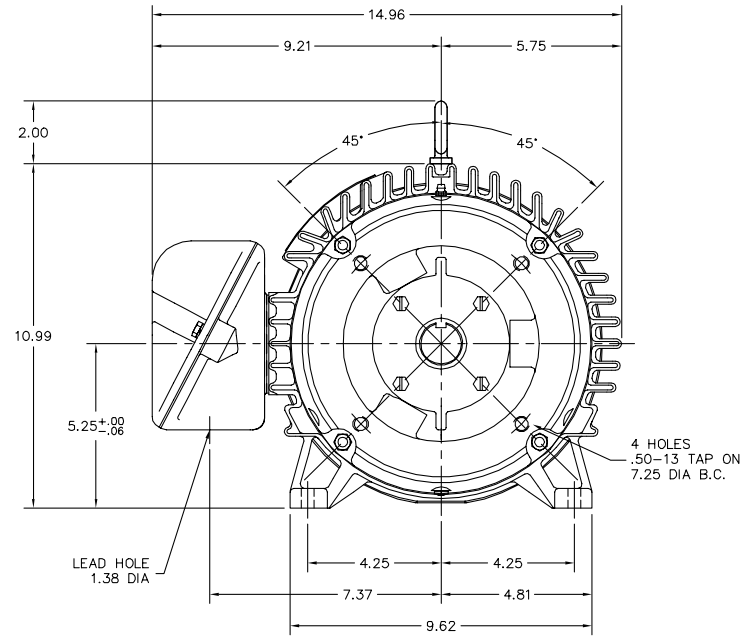
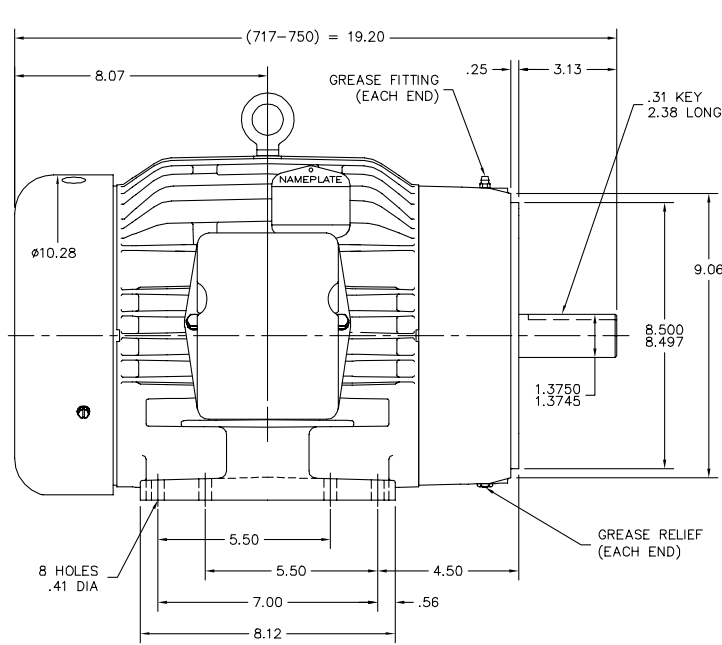
% of Rated Load	25	50	75	100	125	150	S.F.
Power Factor	48	69	79	84	86	87	85
Efficiency	83.4	89.2	90.5	90	89.4	88.6	89.6
Speed	3574	3552	3527	3501	3474	3443	3485
Line amperes	3.48	4.51	5.87	7.36	9.06	10.9	8.38

Performance Graph at 575V, 60Hz, 7.5HP Typical performance - Not guaranteed values





07LYH058



CUSTOMER IS RESPONSIBLE FOR DETERMINING THAT BALDOR'S PRODUCT WILL PERFORM SUITABLY IN THE INTENDED APPLICATION.

REV. DESC: OMIT GROUND LUG FROM LAYOUT		
REV. LTR: M	VERSION: 03	TDR: 000000569767
FILE: \AAA\00016\842	REVISED: 08:57:45 12/03/2010	BY: ENMATRO
MTL: -		

**BALDOR**  
 HORZ 213-5TC TEFC 307M SUPER-E  
 SH 1 of 1

07LYH058

CD0006



NOTES:

1. THREE LEAD MOTOR MAY BE EITHER WYE CONNECTED OR DELTA CONNECTED.
2. INTERCHANGE ANY TWO LINE LEADS TO REVERSE ROTATION.
3. OPTIONAL THERMOSTATS ARE PROVIDED WHEN SPECIFIED.
4. ACTUAL NUMBER OF INTERNAL PARALLEL CIRCUITS MAY VARY.
5. LEAD COLORS ARE OPTIONAL. LEADS MUST BE NUMBERED AS SHOWN.

CD0006

REV. DESC: ADD CLASS CONN00000007		
REV. LTR: E	VERSION: 01	TDR: 000001099922
FILE: \AAA\00005\141	REVISED: 10:24:49 02/19/2019	BY: ENBRIRO
MTL: -		

**BALDOR - RELIANCE®**

3PH, SV, 3 LEADS, WYE OR DELTA CONNECTED

SH 1 of 1