

BALDOR® • RELIANCE 

Product Information Packet

CEM3774T

10HP,1765RPM,3PH,60HZ,215TC,0748M,TEFC,F

Part Detail							
Revision:	B	Status:	PRD/A	Change #:		Proprietary:	No
Type:	AC	Elec. Spec:	07WGT511	CD Diagram:	CD0005	Mfg Plant:	
Mech. Spec:	07H058	Layout:	07LYH058	Poles:	04	Created Date:	02-08-2021
Base:	RG	Eff. Date:	02-21-2022	Leads:	9#14		

Specs			
Catalog Number:	CEM3774T	Heater Indicator:	No Heater
Enclosure:	TEFC	Insulation Class:	F
Frame:	215TC	Inverter Code:	Inverter Ready
Frame Material:	Iron	KVA Code:	H
Output @ Frequency:	10.000 HP @ 60 HZ	Lifting Lugs:	Standard Lifting Lugs
Synchronous Speed @ Frequency:	1800 RPM @ 60 HZ	Locked Bearing Indicator:	Locked Bearing
Voltage @ Frequency:	460.0 V @ 60 HZ	Motor Lead Quantity/Wire Size:	9 @ 14 AWG
	230.0 V @ 60 HZ	Motor Lead Exit:	Ko Box
XP Class and Group:	None	Motor Lead Termination:	Flying Leads
XP Division:	Not Applicable	Motor Type:	0748M
Agency Approvals:	UR	Mounting Arrangement:	F1
	CSA EEV	Power Factor:	83
	CSA	Product Family:	General Purpose
Auxillary Box:	No Auxillary Box	Pulley End Bearing Type:	Ball
Auxillary Box Lead Termination:	None	Pulley Face Code:	C-Face
Base Indicator:	Rigid	Pulley Shaft Indicator:	Standard
Bearing Grease Type:	Polyrex EM (-20F +300F)	Rodent Screen:	None
Blower:	None	Shaft Extension Location:	Pulley End

Current @ Voltage:	12.300 A @ 460.0 V	Shaft Ground Indicator:	No Shaft Grounding
	24.600 A @ 230.0 V	Shaft Rotation:	Reversible
	27.000 A @ 208.0 V	Shaft Slinger Indicator:	No Slinger
Design Code:	B	Speed Code:	Single Speed
Drip Cover:	No Drip Cover	Motor Standards:	NEMA
Duty Rating:	CONT	Starting Method:	Direct on line
Electrically Isolated Bearing:	Not Electrically Isolated	Thermal Device - Bearing:	None
Feedback Device:	NO FEEDBACK	Thermal Device - Winding:	None
Front Face Code:	Standard	Vibration Sensor Indicator:	No Vibration Sensor
Front Shaft Indicator:	None	Winding Thermal 1:	None
		Winding Thermal 2:	None

Nameplate NP3441LUA										
CAT.NO.	CEM3774T									
SPEC	07H058T511G1									
HP	10									
VOLTS	230/460									
AMPS	24.6/12.3									
RPM	1765									
FRAME	213TC				HZ	60			PH	3
SF	1.15		CODE	H	DES	B		CLASS	F	
NEMA NOM. EFF	91.7		PF	83						
RATING	40C AMB-CONT									
CC	010A				USABLE AT 208V					27
ENCL	TEFC		SER							
DE	6307			ODE	6206					
VPWM INVERTER READY	SFA 28.2/14.1									
CT6-60H(10:1)VT3-60H(20:1)	50HZ 10HP 190/380V 29.8/14.9A									
										SF1.0

Parts List		
Part Number	Description	Quantity
SA390866	SA 07H058T511G1	1.000 EA
RA381334	RA 07H058T511G1	1.000 EA
37FN3002C01	EXFN, PLASTIC, 6.00 OD, 1.155 ID	1.000 EA
HW3201A05	3/8-16 EYEBOLT	1.000 EA
09CB3002SP	CB W/1.38 LEAD HOLE FOR 37, 39, 307 & 30	1.000 EA
09GS1000SP	GASKET-CONDUIT BOX, 1/16 THICK LEXIDE	1.000 EA
51XW2520A12	.25-20 X .75, TAPTITE II, HEX WSHR SLTD	2.000 EA
59XW2520G07	.25-20X.44,HEX SER WSHR,TAPTITE 2,GREEN	1.000 EA
37EP1100A41	FR ENDPLATE ASSEMBLY FOR ROUTING	1.000 EA
HW4500A17	317400 ALEMITE GREASE RELIEF	1.000 EA
HW4500A01	1641B(ALEMITE)400 UNIV, GREASE FITT	1.000 EA
HW5100A06	W2420-025 WVY WSHR (WB)	1.000 EA
37PE1300A10	PUEP ASSEMBLY FOR ROUTING	1.000 EA
HW4500A17	317400 ALEMITE GREASE RELIEF	1.000 EA
HW4500A01	1641B(ALEMITE)400 UNIV, GREASE FITT	1.000 EA
10XN2520A30	HEX HD CAP SCREW-STD THD-.25 X 20 THD PE	4.000 EA
HW1001A25	LOCKWASHER 1/4, ZINC PLT .493 OD, .255 I	4.000 EA
XY3118A12	5/16-18 HEX NUT DIRECTIONAL SERRATION	4.000 EA
51XB1214A20	12-14X1.25 HXWSSLD SERTYB	1.000 EA
07FH4007SP	PRIMED	1.000 EA
51XW1032A06	10-32 X .38, TAPTITE II, HEX WSHR SLTD S	3.000 EA
09CB3501SP	CONDUIT BOX LID FOR 09CB3001 & 09CB3002	1.000 EA
09GS1013SP	GS FOR 09CB3501, 12CB1500 & 12CB1503 LID	1.000 EA
51XW2520A12	.25-20 X .75, TAPTITE II, HEX WSHR SLTD	2.000 EA

Parts List (continued)		
Part Number	Description	Quantity
HW2501F21	KEY, 5/16 SQ X 2.375	1.000 EA
HA7000A02	KEY RETAINER RING, 1 1/8 DIA, 1 3/8 DIA	1.000 EA
85XU0407S04	4X1/4 U DRIVE PIN STAINLESS	2.000 EA
LB1115N	LABEL,LIFTING DEVICE (ON ROLLS)	1.000 EA
MJ1000A02	GREASE, MOBIL POLYREX EM - 124047	0.050 LB
HA3104A32	THRUBOLT- 5/16-18 X12.750	4.000 EA
MG1000Y03	MUNSELL 2.53Y 6.70/ 4.60, GLOSS 20,	0.036 GA
LC0005E01	CONN.DIA./WARNING LABEL (LC0005/LB1119N)	1.000 EA
NP3441LUA	ALUM SUPER-E VPWM INV READY UL CSA-EEV C	1.000 EA
07PA1011	PKG GRP, 07 CAST IRON PK1181	1.000 EA
MN416A01	TAG-INSTAL-MAINT no wire (2100/bx) 4/22	1.000 EA

AC Induction Motor Performance Data

Record # 85502

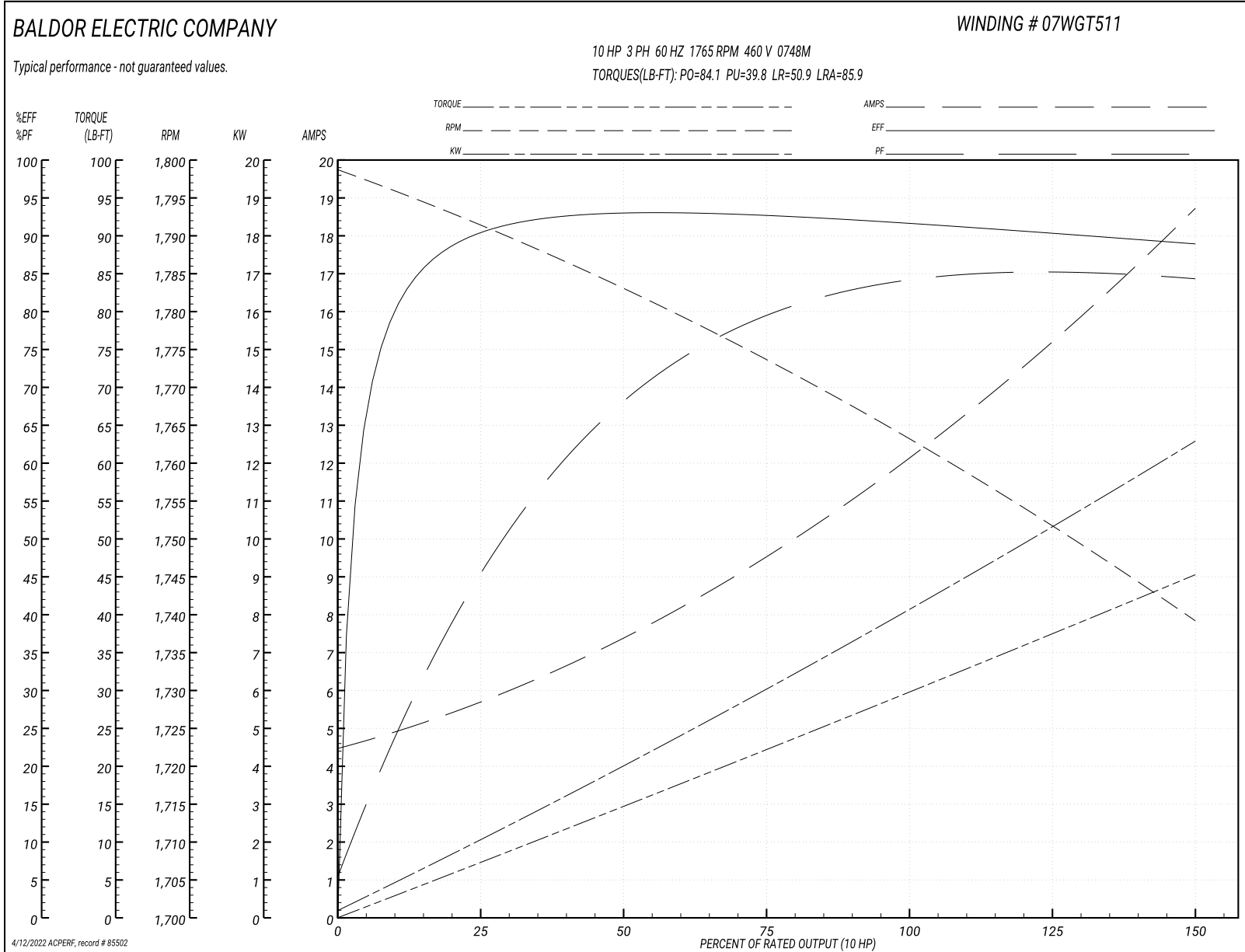
Preliminary Data Sheet

Winding: 07WGT511-R001		Type: 0748M		Enclosure: TEFC	
Nameplate Data			460 V, 60 Hz: High Voltage Connection		
Rated Output (HP)	10	Full Load Torque	29.8 LB-FT		
Volts	230/460	Start Configuration	direct on line		
Full Load Amps	24.6/12.3	Breakdown Torque	84.1 LB-FT		
R.P.M.	1765	Pull-up Torque	39.8 LB-FT		
Hz	60 Phase	Locked-rotor Torque	50.9 LB-FT		
NEMA Design Code	B	Starting Current	85.9 A		
Service Factor (S.F.)	1.15	No-load Current	4.67 A		
NEMA Nom. Eff.	91.7	Line-line Res. @ 25°C	1.11 Ω		
Rating - Duty	40C AMB-CONT	Temp. Rise @ Rated Load	70°C		
S.F. Amps	28.3/14.15	Temp. Rise @ S.F. Load	93°C		
		Locked-rotor Power Factor	40.4		
		Rotor inertia	1.18 lb-ft ²		

Load Characteristics 460 V, 60 Hz, 10 HP

% of Rated Load	25	50	75	100	125	150	S.F.
Power Factor	48	70	79	83	85	85	84
Efficiency	89.8	92.6	92.6	91.7	90.4	88.8	90.7
Speed	1791	1783	1774	1763	1752	1739	1753
Line amperes	5.44	7.24	9.6	12.3	15.3	18.6	14.1

Performance Graph at 460V, 60Hz, 10.0HP Typical performance - Not guaranteed values



AC Induction Motor Performance Data

Record # 88389

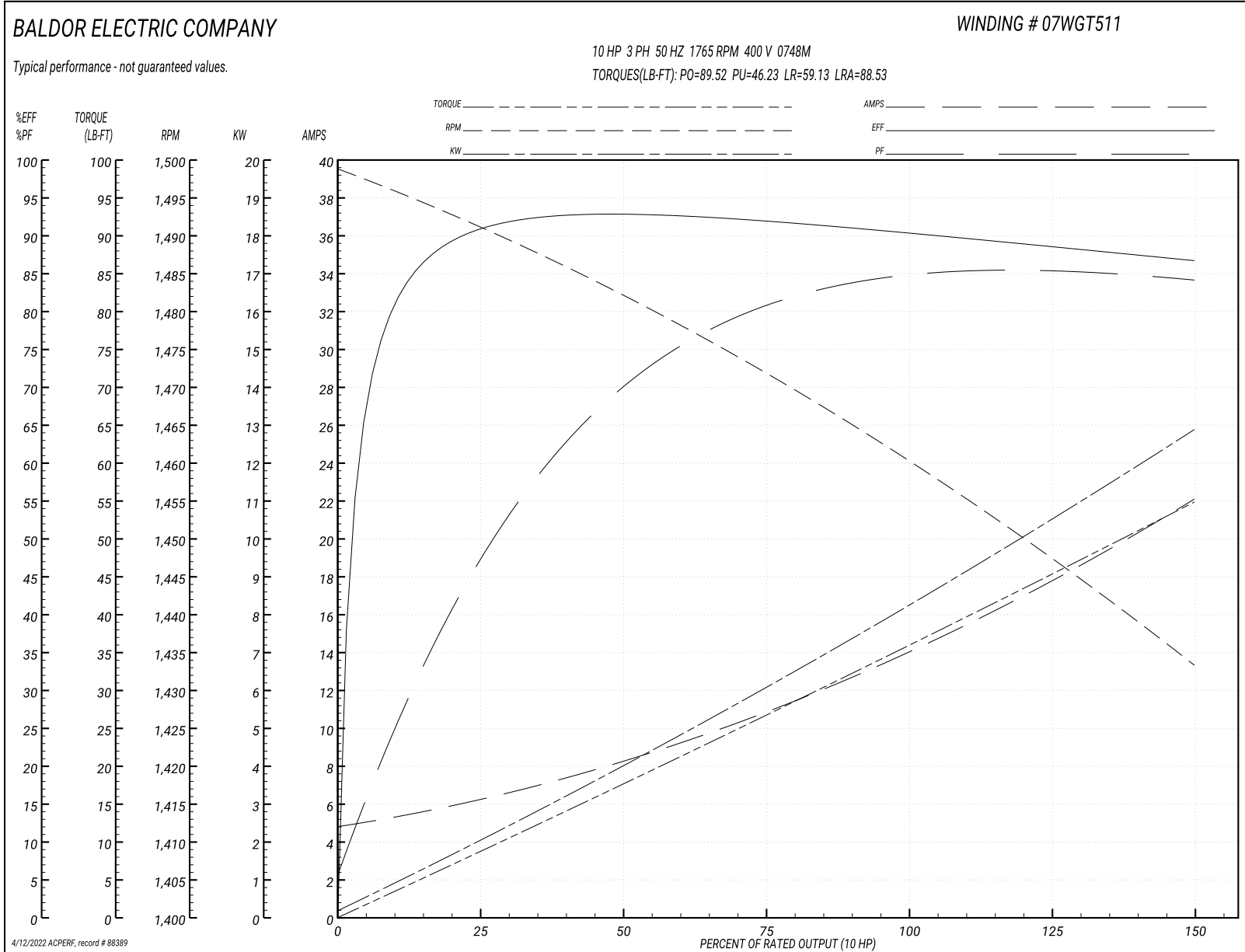
Typical performance - not guaranteed values

Winding: 07WGT511-R001		Type: 0748M		Enclosure: TEFC	
Nameplate Data			400 V, 50 Hz: High Voltage Connection		
Rated Output (HP)	10	Full Load Torque	35.99 LB-FT		
Volts	230/460	Start Configuration	direct on line		
Full Load Amps	24.6/12.3	Breakdown Torque	89.52 LB-FT		
R.P.M.	1765	Pull-up Torque	46.23 LB-FT		
Hz	60 Phase	3	Locked-rotor Torque	59.13 LB-FT	
NEMA Design Code	B KVA Code	H	Starting Current	88.53 A	
Service Factor (S.F.)	1.15	No-load Current	5.03 A		
NEMA Nom. Eff.	91.7	Power Factor	83	Line-line Res. @ 25°C	1.09 Ω
Rating - Duty	40C AMB-CONT		Temp. Rise @ Rated Load	91°C	
S.F. Amps			Temp. Rise @ S.F. Load	117°C	
			Locked-rotor Power Factor	35.2	
			Rotor inertia	1.18 lb-ft ²	

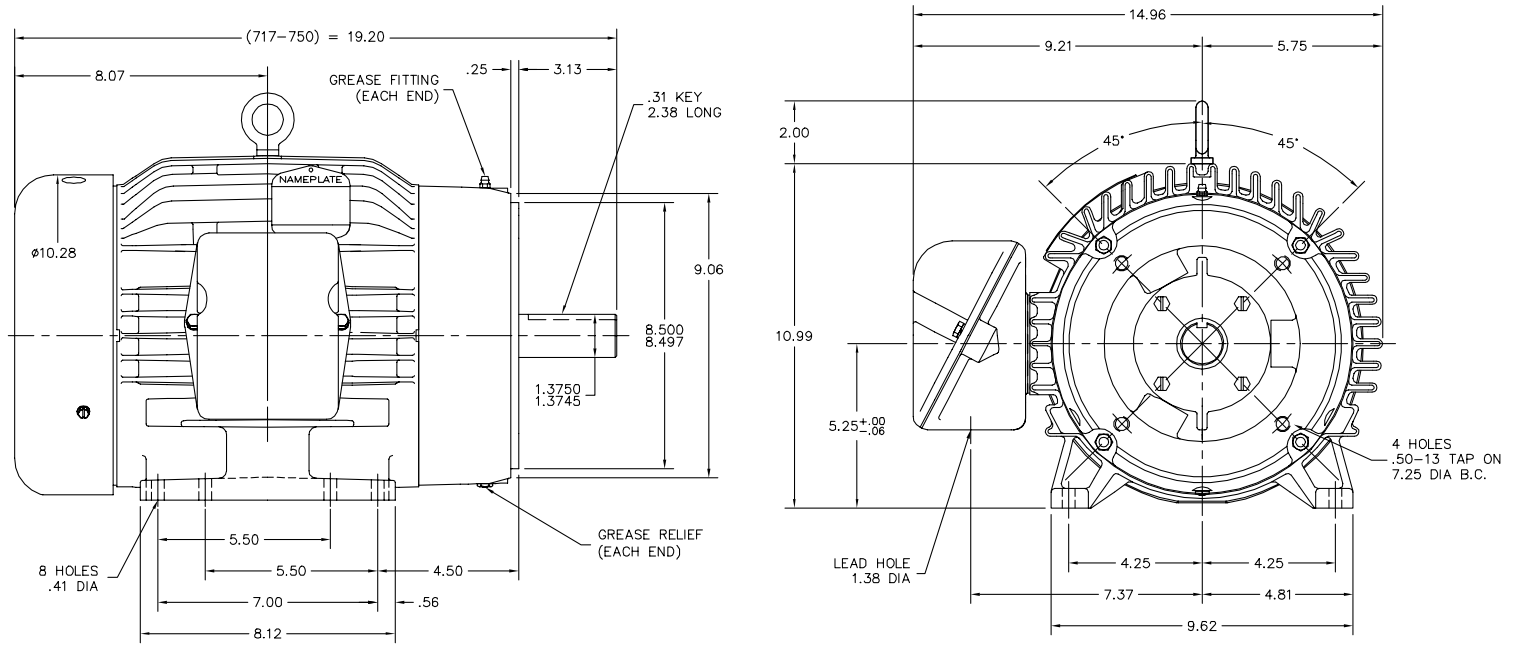
Load Characteristics 400 V, 50 Hz, 10 HP

% of Rated Load	25	50	75	100	125	150	S.F.
Power Factor	50	71	80	84	85	85	85
Efficiency	90	92.4	91.9	90.4	88.9	86.5	89.5
Speed	1491	1482	1472	1460	1448	1433	1453
Line amperes	5.96	8.13	10.95	14.22	17.88	21.98	16.4

Performance Graph at 400V, 50Hz, 10.0HP Typical performance - Not guaranteed values



07LYH058



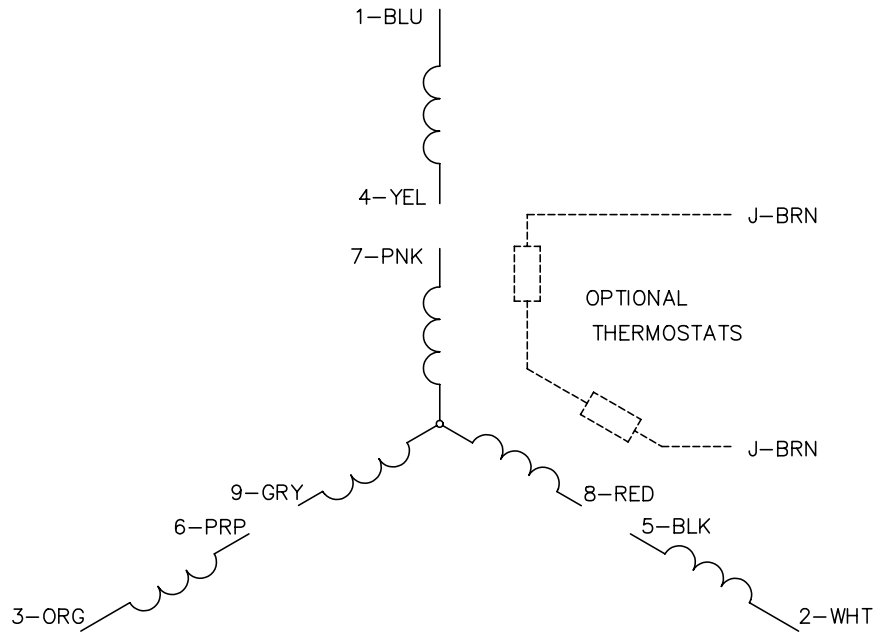
07LYH058

CUSTOMER IS RESPONSIBLE FOR DETERMINING THAT BALDOR'S PRODUCT WILL PERFORM SUITABLY IN THE INTENDED APPLICATION.

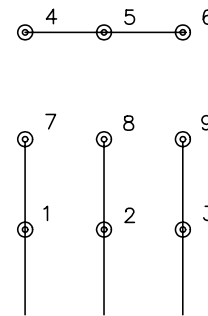
REV. DESC: OMIT GROUND LUG FROM LAYOUT		
REV. LTR: M	VERSION: 03	TDR: 000000569767
FILE: \AAA\00016\842	REVISED: 08:57:45 12/03/2010	BY: ENMATRO
MTL: -		

BALDOR
 HORZ 213-5TC TEFC 307M SUPER-E
 SH 1 of 1

CD0005

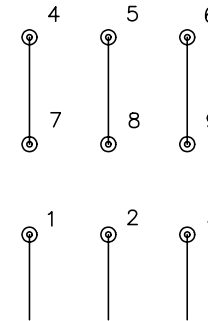


LOW VOLTAGE
(2Y)



LINE

HIGH VOLTAGE
(1Y)



LINE

NOTES:

1. INTERCHANGE ANY TWO LINE LEADS TO REVERSE ROTATION.
2. OPTIONAL THERMOSTATS ARE PROVIDED WHEN SPECIFIED.
3. ACTUAL NUMBER OF INTERNAL PARALLEL CIRCUITS MAY BE A MULTIPLE OF THOSE SHOWN ABOVE.
4. LEAD COLORS ARE OPTIONAL. LEADS MUST ALWAYS BE NUMBERED AS SHOWN.

REV. DESC: REVISE TO SHOW OPTIONAL COLORS

REV. LTR: E BY: JLP

REVISED: 01/19/99 10:15

TDR: 0171435

9000D

FILE: AAA00005140

MDL: -

MTL: -

BALDOR ELECTRIC Co.

3PH, DV, 9 LEADS

CD0005

Marketing maintained PDF of MN416:

<http://www.baldor.com/support/Literature/Load.ashx/MN416?ManNumber=MN416>