

BALDOR® • RELIANCE 

Product Information Packet

CEM4115T

50HP, 1775RPM, 3PH, 60HZ, 326TC, 1272M, TEFC, F

| Part Detail | | | | | | | |
|-------------|-------|-------------|------------|-------------|--------|---------------|------------|
| Revision: | B | Status: | PRD/A | Change #: | | Proprietary: | No |
| Type: | AC | Elec. Spec: | 12WGZ279 | CD Diagram: | CD0180 | Mfg Plant: | |
| Mech. Spec: | 12C52 | Layout: | 12LYC052 | Poles: | 04 | Created Date: | 02-03-2021 |
| Base: | RG | Eff. Date: | 02-16-2022 | Leads: | 9#6 | | |

| Specs | | | |
|---------------------------------|-------------------------|--------------------------------|-----------------------|
| Catalog Number: | CEM4115T | Heater Indicator: | No Heater |
| Enclosure: | TEFC | Insulation Class: | F |
| Frame: | 326TC | Inverter Code: | Inverter Ready |
| Frame Material: | Iron | KVA Code: | H |
| Output @ Frequency: | 50.000 HP @ 60 HZ | Lifting Lugs: | Standard Lifting Lugs |
| Synchronous Speed @ Frequency: | 1800 RPM @ 60 HZ | Locked Bearing Indicator: | Locked Bearing |
| Voltage @ Frequency: | 460.0 V @ 60 HZ | Motor Lead Quantity/Wire Size: | 9 @ 6 AWG |
| | 230.0 V @ 60 HZ | Motor Lead Exit: | Ko Box |
| XP Class and Group: | None | Motor Lead Termination: | Flying Leads |
| XP Division: | Not Applicable | Motor Type: | 1272M |
| Agency Approvals: | UR | Mounting Arrangement: | F1 |
| | CSA EEV | Power Factor: | 85 |
| | CSA | Product Family: | General Purpose |
| Auxillary Box: | No Auxillary Box | Pulley End Bearing Type: | Ball |
| Auxillary Box Lead Termination: | None | Pulley Face Code: | C-Face |
| Base Indicator: | Rigid | Pulley Shaft Indicator: | Standard |
| Bearing Grease Type: | Polyrex EM (-20F +300F) | Rodent Screen: | None |
| Blower: | None | Shaft Extension Location: | Pulley End |

| | | | |
|---------------------------------------|---------------------------|------------------------------------|---------------------|
| Current @ Voltage: | 116.000 A @ 230.0 V | Shaft Ground Indicator: | No Shaft Grounding |
| | 128.000 A @ 208.0 V | Shaft Rotation: | Reversible |
| | 58.000 A @ 460.0 V | Shaft Slinger Indicator: | Shaft Slinger |
| Design Code: | A | Speed Code: | Single Speed |
| Drip Cover: | No Drip Cover | Motor Standards: | NEMA |
| Duty Rating: | CONT | Starting Method: | Direct on line |
| Electrically Isolated Bearing: | Not Electrically Isolated | Thermal Device - Bearing: | None |
| Feedback Device: | NO FEEDBACK | Thermal Device - Winding: | None |
| Front Face Code: | Standard | Vibration Sensor Indicator: | No Vibration Sensor |
| Front Shaft Indicator: | None | Winding Thermal 1: | None |
| | | Winding Thermal 2: | None |

| | | | | | | | | | | | |
|----------------------------|------------------------------|------|--------|-------------------------|----------------|----------------------------|-------|---------|------------|---------|------|
| Nameplate NP3443LUA | | | | | | | | | | | |
| CAT.NO. | CEM4115T | | | | CUST. P/N | | | | | ENCL | TEFC |
| SPEC. | 12C052Z279G1 | | | CC | 010A | | FRAME | 326TC | | SER.NO. | |
| HP | 50 | | | CLASS | F | | HZ | 60 | | | |
| R.P.M. | 1775 | | | PH. | 3 | | DES. | A | | | |
| VOLTS | 230/460 | | | | CODE | H | | ODE BRG | 6311 | DE BRG | 6312 |
| AMPS | 116/58 | | | | USABLE AT 208V | 126 | | | | | |
| RATING | 40C AMB-CONT | | | | NEMA NOM. EFF. | 94.5 | | GREASE | POLYREX EM | | |
| P.F. | 85 | | SER.F. | 1.15 | | CT6-60H(10:1)VT3-60H(20:1) | | | | | |
| USABLE AT | 50HZ 50HP 190/380V 139/69.5A | | | | | SF1.0 | | | | | |
| VOLTS | | AMPS | | MAX. SPACE HEATER TEMP. | | | | | | | |

| Parts List | | |
|-------------|---|----------|
| Part Number | Description | Quantity |
| SA390467 | SA 12C052Z279G1 | 1.000 EA |
| RA380916 | RA 12C052Z279G1 | 1.000 EA |
| 09FN3001C03 | EXTERNAL FAN, PLASTIC (COMES W/SCREW FRO | 1.000 EA |
| 10CB3001 | CONDUIT BOX CAST W/2.500 LEAD HOLE | 1.000 EA |
| 09GS1000SP | GASKET-CONDUIT BOX, 1/16 THICK LEXIDE | 1.000 EA |
| 10XN3118K12 | 5/16-18 X .75 GRADE 5, ZINC PLATED | 4.000 EA |
| HW1001A31 | LOCKWASHER 5/16, ZINC PLT.591 OD, .319 I | 4.000 EA |
| WD1000B25 | GND LUG, BURNDY L125HP OR T&B L125HP-BB | 1.000 EA |
| 19XW3118G08 | .31-18X.50,HEX WSHR HD,TAPTITE 2,GREEN | 1.000 EA |
| HW1001A31 | LOCKWASHER 5/16, ZINC PLT.591 OD, .319 I | 4.000 EA |
| 10XN5013K28 | 1/2-13 X 1.75 HEX HEAD MACH SCREW,GRAD | 4.000 EA |
| HW1001A50 | LOCKWASHER 1/2, ZINC PLT.,.879 OD, .509 I | 4.000 EA |
| 12EP1107A05 | FR ENDPLATE, MACH | 1.000 EA |
| HA3400A13 | STUD, 1/2-13 X 7" WELKER | 4.000 EA |
| HW1001A50 | LOCKWASHER 1/2, ZINC PLT.,.879 OD, .509 I | 4.000 EA |
| HW5100A13 | W4627-047 WVY WSHER | 1.000 EA |
| 12EP1105A01 | PU ENDPLATE | 1.000 EA |
| HW1001A50 | LOCKWASHER 1/2, ZINC PLT.,.879 OD, .509 I | 4.000 EA |
| 10XN3118K40 | 5/16-18 X 2.25" HEX HD, GRADE 5 | 2.000 EA |
| HW1001A31 | LOCKWASHER 5/16, ZINC PLT.591 OD, .319 I | 2.000 EA |
| 10XN3118K40 | 5/16-18 X 2.75" HEX HD, GRADE 5 | 4.000 EA |
| 12FH1002SP | FAN COVER, CAST | 1.000 EA |
| XY5013A12 | NUT,1/2-13,HEX,STEEL,ZINCPLATED | 4.000 EA |
| 10CB3500SP | CONDUIT BOX LID, CAST | 1.000 EA |

| Parts List (continued) | | |
|------------------------|--|----------|
| Part Number | Description | Quantity |
| 10GS1000SP | GASKET, CONDUIT BOX LID | 1.000 EA |
| 51XW2520A12 | .25-20 X .75, TAPTITE II, HEX WSHR SLTD | 4.000 EA |
| HW4600B41 | V-RING SLINGER 2.125 X 2.880 X 0.280 | 1.000 EA |
| HW2501H33 | KEY, 1/2 SQ X 3.875 | 1.000 EA |
| LB1115N | LABEL,LIFTING DEVICE (ON ROLLS) | 1.000 EA |
| HW4500A21 | 1618BALEMITE FITTING 825 UNIVERSAL | 1.000 EA |
| HA4017A01 | 1/8 X 4 GREASE EXT (F/S) | 1.000 EA |
| HW4500A17 | 317400 ALEMITE GREASE RELIEF | 1.000 EA |
| HA4054 | SHORT T-DRAIN FITTING, .125" N.P.T. | 1.000 EA |
| HA4051A00 | PLASTIC CAP FOR GREASE FITTING | 1.000 EA |
| MJ1000A02 | GREASE, MOBIL POLYREX EM - 124047 | 0.200 LB |
| HW4500A03 | GREASE FITTING, .125 NPT 1610(ALEMITE) 8 | 1.000 EA |
| HW4500A17 | 317400 ALEMITE GREASE RELIEF | 1.000 EA |
| HA4054 | SHORT T-DRAIN FITTING, .125" N.P.T. | 1.000 EA |
| HA4051A00 | PLASTIC CAP FOR GREASE FITTING | 1.000 EA |
| HW2500A25 | WOODRUFF KEY USA #1008 #BLOW CARBON STEE | 1.000 EA |
| MG1000Y03 | MUNSELL 2.53Y 6.70/ 4.60, GLOSS 20, | 0.080 GA |
| 85XU0407S04 | 4X1/4 U DRIVE PIN STAINLESS | 4.000 EA |
| LB1119N | WARNING LABEL | 1.000 EA |
| LC0181 | CONNECTION LABEL | 1.000 EA |
| NP3443LUA | SS SUPER-E UL CSA-EEV PREM CC | 1.000 EA |
| 12PA1000 | PACKAGING GROUP PRINT PK1024A07 | 1.000 EA |
| MN416A01 | TAG-INSTAL-MAINT no wire (2100/bx) 4/22 | 1.000 EA |
| PE-0000013 | ZRTG PE ASSEMBLY | 1.000 EA |

| | | |
|-----------|------------------|----------|
| FE-000022 | ZRTG FE ASSEMBLY | 1.000 EA |
|-----------|------------------|----------|

AC Induction Motor Performance Data

Record # 85607

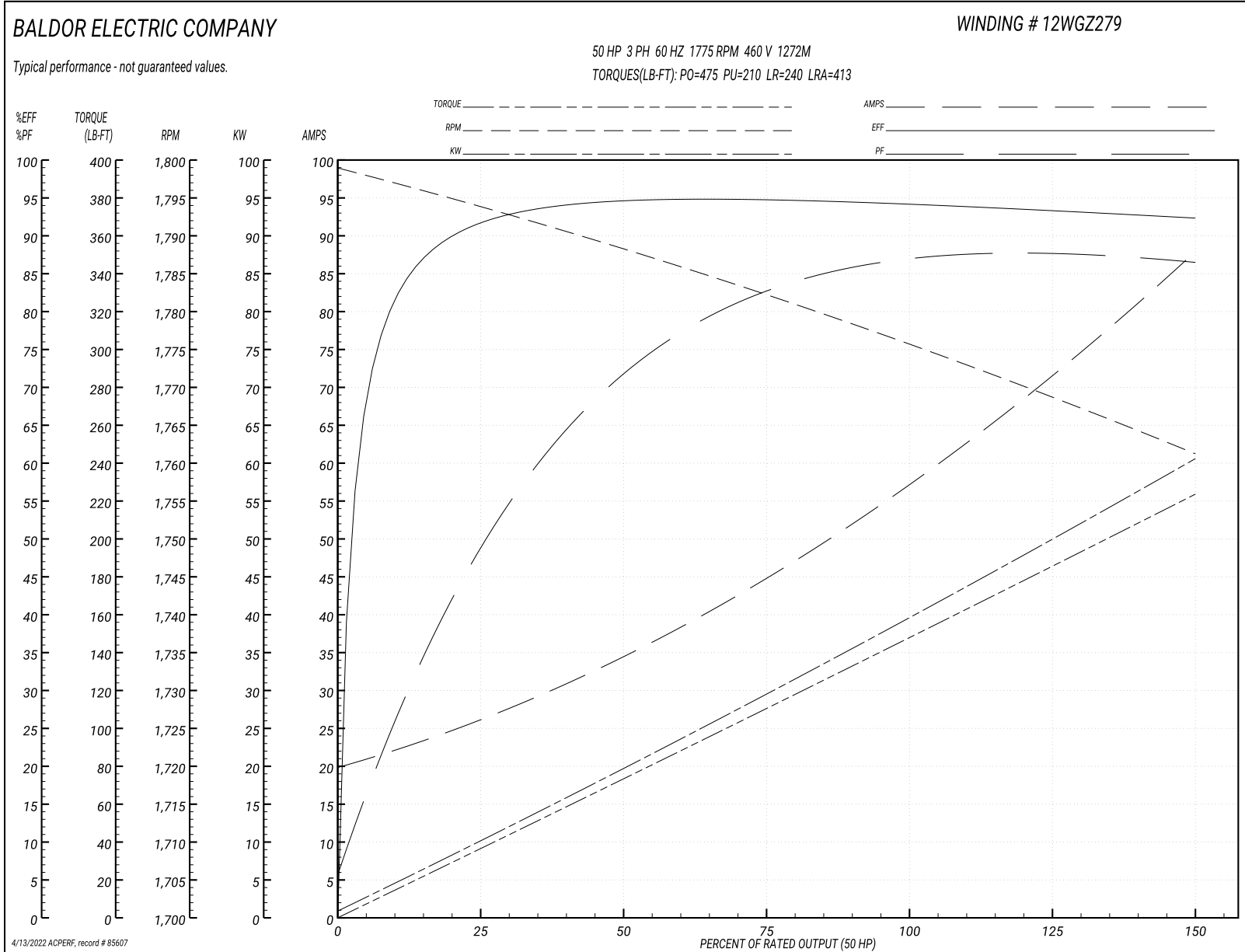
Preliminary Data Sheet

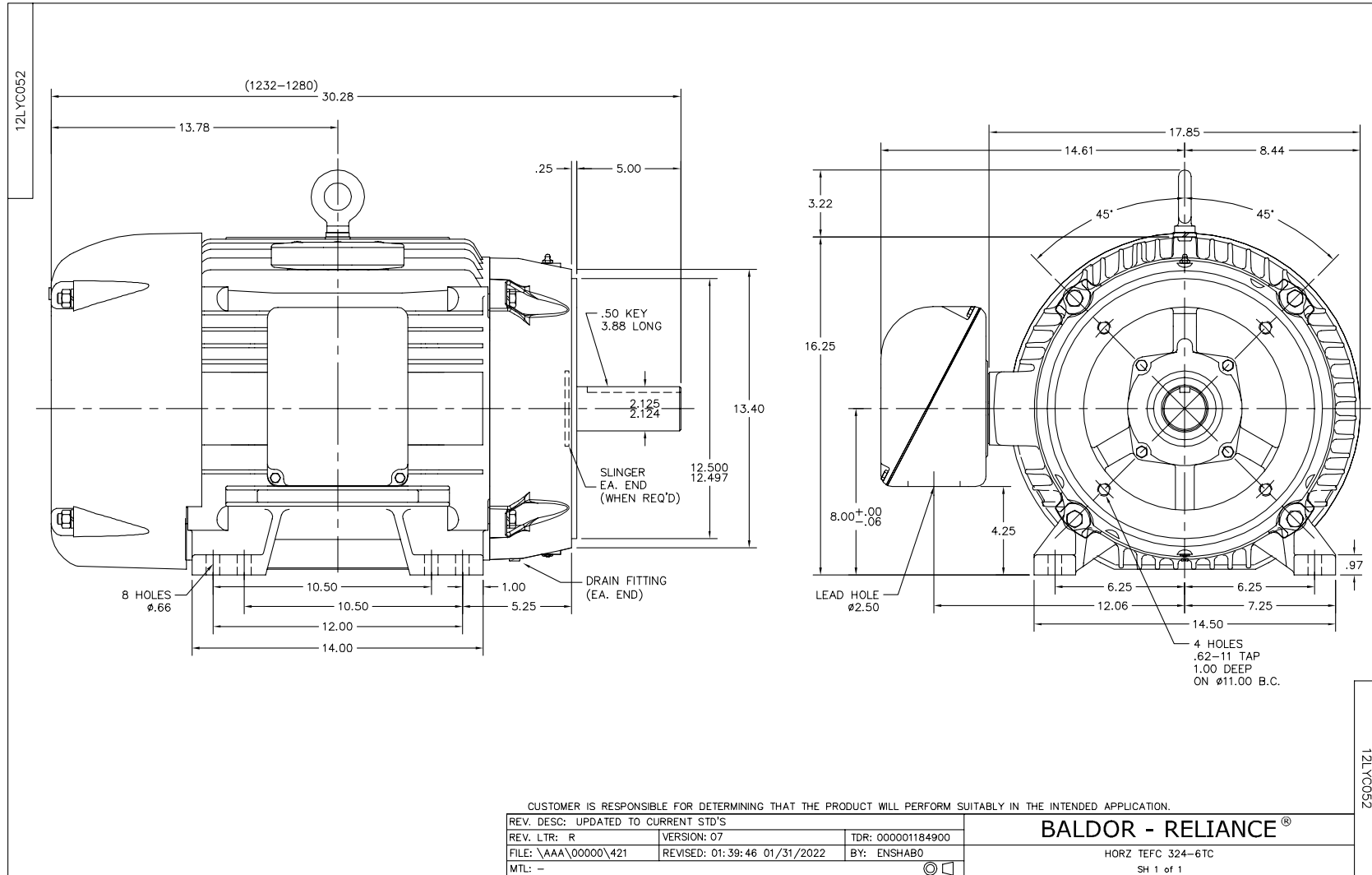
| Winding: 12WGZ279-R001 | | Type: 1272M | Enclosure: TEFC |
|------------------------|-------------------|--|-------------------------|
| Nameplate Data | | 460 V, 60 Hz: High Voltage Connection | |
| Rated Output (HP) | 50 | Full Load Torque | 147.8 LB-FT |
| Volts | 230/460 | Start Configuration | direct on line |
| Full Load Amps | 116/58 | Breakdown Torque | 475 LB-FT |
| R.P.M. | 1775 | Pull-up Torque | 210 LB-FT |
| Hz | 60 Phase | Locked-rotor Torque | 240 LB-FT |
| NEMA Design Code | A KVA Code | Starting Current | 413 A |
| Service Factor (S.F.) | 1.15 | No-load Current | 20.8 A |
| NEMA Nom. Eff. | 94.5 Power Factor | Line-line Res. @ 25°C | 0.114 Ω |
| Rating - Duty | 40C AMB-CONT | Temp. Rise @ Rated Load | 68°C |
| S.F. Amps | 132/68 | Temp. Rise @ S.F. Load | 88°C |
| | | Locked-rotor Power Factor | 29.7 |
| | | Rotor inertia | 9.59 lb-ft ² |

Load Characteristics 460 V, 60 Hz, 50 HP

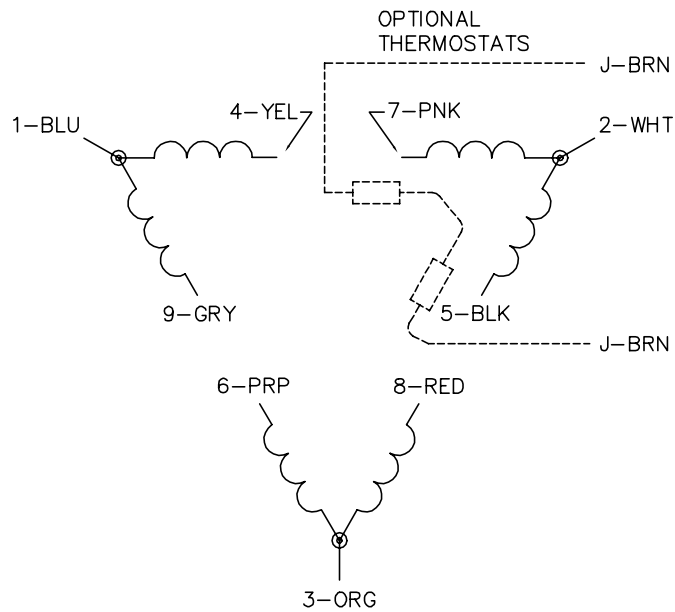
| % of Rated Load | 25 | 50 | 75 | 100 | 125 | 150 | S.F. |
|-----------------|------|------|------|------|------|------|------|
| Power Factor | 52 | 73 | 82 | 86 | 87 | 87 | 87 |
| Efficiency | 91.5 | 94.4 | 94.8 | 94.6 | 94 | 93.2 | 94.1 |
| Speed | 1794 | 1788 | 1782 | 1776 | 1769 | 1761 | 1770 |
| Line amperes | 24.8 | 33.9 | 45.3 | 57.9 | 71.6 | 87.5 | 66.1 |

Performance Graph at 460V, 60Hz, 50.0HP Typical performance - Not guaranteed values

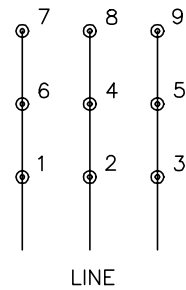




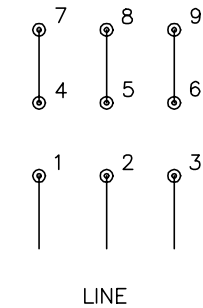
CD0180



LOW VOLTAGE
(2D)



HIGH VOLTAGE
(1D)



NOTES:

1. INTERCHANGE ANY TWO LINE LEADS TO REVERSE ROTATION.
2. OPTIONAL THERMOSTATS ARE PROVIDED WHEN SPECIFIED.
3. ACTUAL NUMBER OF INTERNAL PARALLEL CIRCUITS MAY BE A MULTIPLE OF THOSE SHOWN ABOVE.
4. LEAD COLORS ARE OPTIONAL. LEADS MUST ALWAYS BE NUMBERED AS SHOWN.

CD0180

| | | |
|-----------------------------------|------------------------------|-------------------|
| REV. DESC: ADD CLASS CONN00000007 | | |
| REV. LTR: D | VERSION: 01 | TDR: 000001099922 |
| FILE: \AAA\00005\148 | REVISED: 10:25:29 02/19/2019 | BY: ENBRIRO |
| MTL: - | © □ | |

BALDOR - RELIANCE®

3PH, DV, 9 LEADS, DELTA CONNECTION

SH 1 of 1

Marketing maintained PDF of MN416:

<http://www.baldor.com/support/Literature/Load.ashx/MN416?ManNumber=MN416>