

BALDOR® • RELIANCE 

Product Information Packet

CM3542

.75HP, 1725RPM, 3PH, 60HZ, 56C, 3420M, TEFC, F1

Part Detail							
Revision:	B	Status:	PRD/A	Change #:		Proprietary:	No
Type:	AC	Elec. Spec:	34WGR707	CD Diagram:	CD0005	Mfg Plant:	
Mech. Spec:	34A062	Layout:	34LYA062	Poles:	04	Created Date:	11-19-2020
Base:	RG	Eff. Date:	02-17-2021	Leads:	9#18		

Specs			
Catalog Number:	CM3542	Heater Indicator:	No Heater
Enclosure:	TEFC	Insulation Class:	B
Frame:	56C	Inverter Code:	Not Inverter
Frame Material:	Steel	KVA Code:	M
Output @ Frequency:	.750 HP @ 60 HZ	Lifting Lugs:	No Lifting Lugs
Synchronous Speed @ Frequency:	1800 RPM @ 60 HZ	Locked Bearing Indicator:	Locked Bearing
Voltage @ Frequency:	208.0 V @ 60 HZ	Motor Lead Quantity/Wire Size:	9 @ 18 AWG
	230.0 V @ 60 HZ	Motor Lead Exit:	Ko Box
	460.0 V @ 60 HZ	Motor Lead Termination:	Flying Leads
XP Class and Group:	None	Motor Type:	3420M
XP Division:	Not Applicable	Mounting Arrangement:	F1
Agency Approvals:	UR	Power Factor:	64
	CSA	Product Family:	General Purpose
Auxillary Box:	No Auxillary Box	Pulley End Bearing Type:	Ball
Auxillary Box Lead Termination:	None	Pulley Face Code:	C-Face
Base Indicator:	Rigid	Pulley Shaft Indicator:	Standard
Bearing Grease Type:	Polyrex EM (-20F +300F)	Rodent Screen:	None
Blower:	None	Shaft Extension Location:	Pulley End

Current @ Voltage:	1.500 A @ 460.0 V	Shaft Ground Indicator:	No Shaft Grounding
	3.000 A @ 230.0 V	Shaft Rotation:	Reversible
	3.200 A @ 208.0 V	Shaft Slinger Indicator:	No Slinger
Design Code:	B	Speed Code:	Single Speed
Drip Cover:	No Drip Cover	Motor Standards:	NEMA
Duty Rating:	CONT	Starting Method:	Direct on line
Electrically Isolated Bearing:	Not Electrically Isolated	Thermal Device - Bearing:	None
Feedback Device:	NO FEEDBACK	Thermal Device - Winding:	None
Front Face Code:	Standard	Vibration Sensor Indicator:	No Vibration Sensor
Front Shaft Indicator:	None	Winding Thermal 1:	None
		Winding Thermal 2:	None

Nameplate NP1256L										
CAT.NO.	CM3542									
SPEC.	34A062R707									
HP	.75									
VOLTS	208-230/460									
AMP	3.2-3/1.5									
RPM	1725									
FRAME	56C				HZ	60			PH	3
SER.F.	1.25		CODE	M	DES	B		CLASS	B	
NEMA-NOM-EFF	75.5		PF	64						
RATING	40C AMB-CONT									
CC									USABLE AT 208V	
DE	6203				ODE	6203				
ENCL	TEFC		SN							
	SFA 3.6-3.4/1.7									

Parts List		
Part Number	Description	Quantity
SA387932	SA 34A062R707	1.000 EA
RA378272	RA 34A062R707	1.000 EA
NS2512A01	INSULATOR, CONDUIT BOX X	1.000 EA
34CB3002A	CB CAST W/.88 DIA HOLE	1.000 EA
34GS1029A01	GASKET, CONDUIT BOX	1.000 EA
51XB1016A07	10-16 X 7/16 HXWSSLD SERTYB	2.000 EA
11XW1032G06	10-32 X .38, TAPTITE II, HEX WSHR SLTD U	1.000 EA
34EP3102A01SP	FR ENDPLATE, MACH	1.000 EA
HW5100A03	WAVY WASHER (W1543-017)	1.000 EA
34EP3300A24SP	PU ENDPLATE, MACH	1.000 EA
51XN1032A20	10-32 X 1 1/4 HX WS SL SR	2.000 EA
34FN3002A01SP	EXTERNAL FAN, PLASTIC, .637/.639 HUB W/	1.000 EA
34FH4002A01SP	IEC FH NO GREASER PRIMED	1.000 EA
51XW1032A06	10-32 X .38, TAPTITE II, HEX WSHR SLTD S	3.000 EA
34CB4517	CB LID 4 MTG HOLES .22 DIA STAMPED, FOR	1.000 EA
34GS1031A01	GASKET, FLAT CONDUIT BOX LID (LEXIDE)	1.000 EA
51XW0832A07	8-32 X .44, TAPTITE II, HEX WSHR SLTD SE	4.000 EA
MG1000G27	MED CHARCOAL METALLIC GREY 400-0096	0.014 GA
85XU0407S04	4X1/4 U DRIVE PIN STAINLESS	2.000 EA
HA3100A12	THRUBOLT 10-32 X 7.375	4.000 EA
HW2501D13	KEY, 3/16 SQ X 1.375	1.000 EA
HA7000A04	KEY RETAINER 0.625 DIA SHAFTS	1.000 EA
MN416A01	TAG-INSTAL-MAINT no wire (2100/bx) 4/22	1.000 EA
LC0005E01	CONN.DIA./WARNING LABEL (LC0005/LB1119N)	1.000 EA

Parts List (continued)		
Part Number	Description	Quantity
NP1256L	ALUM UL CSA CC INDUSTRIAL MOTOR A60	1.000 EA
35PA1066	PKG GRP, PRINT PK1001A01	1.000 EA

AC Induction Motor Performance Data

Record # 85439

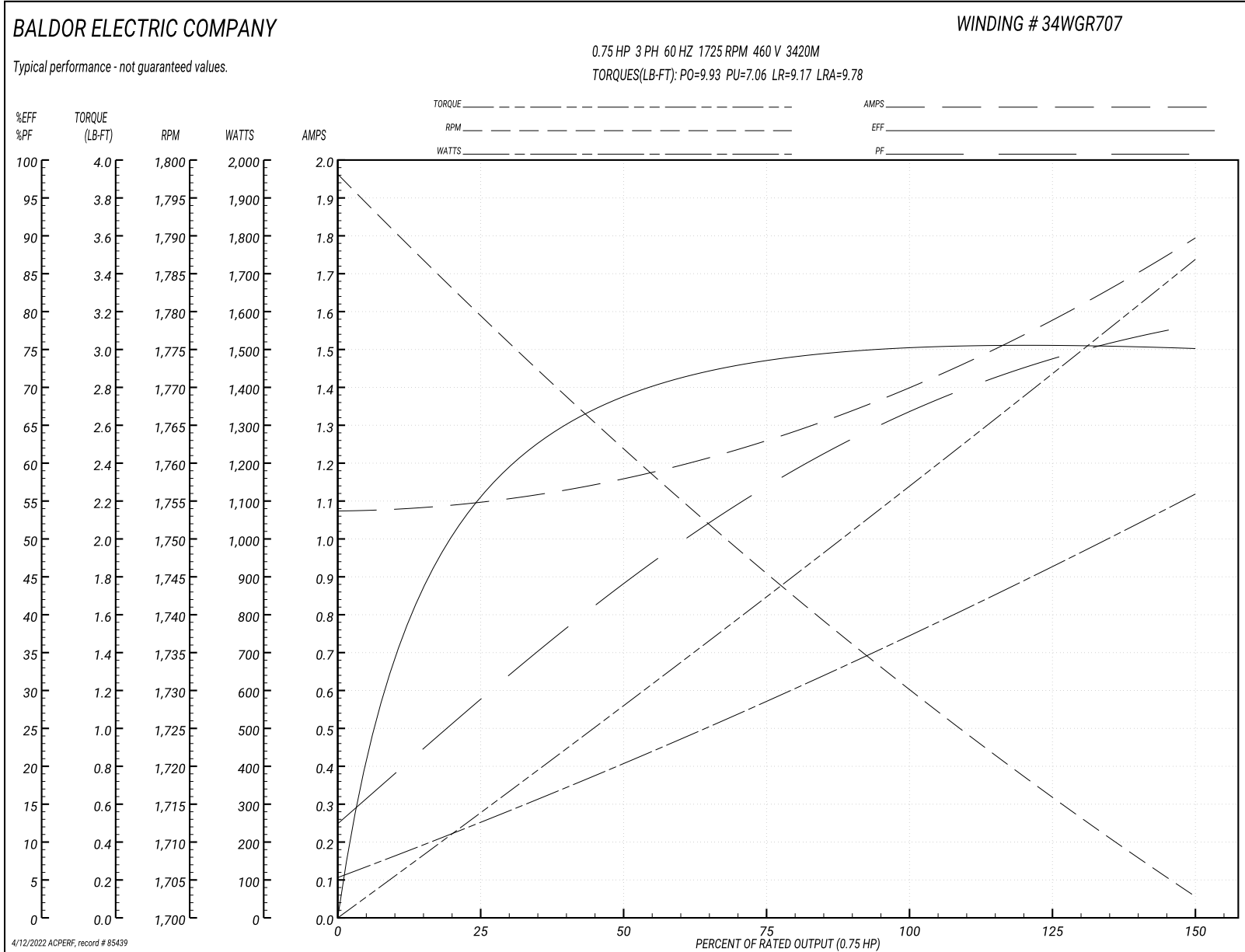
Preliminary Data Sheet

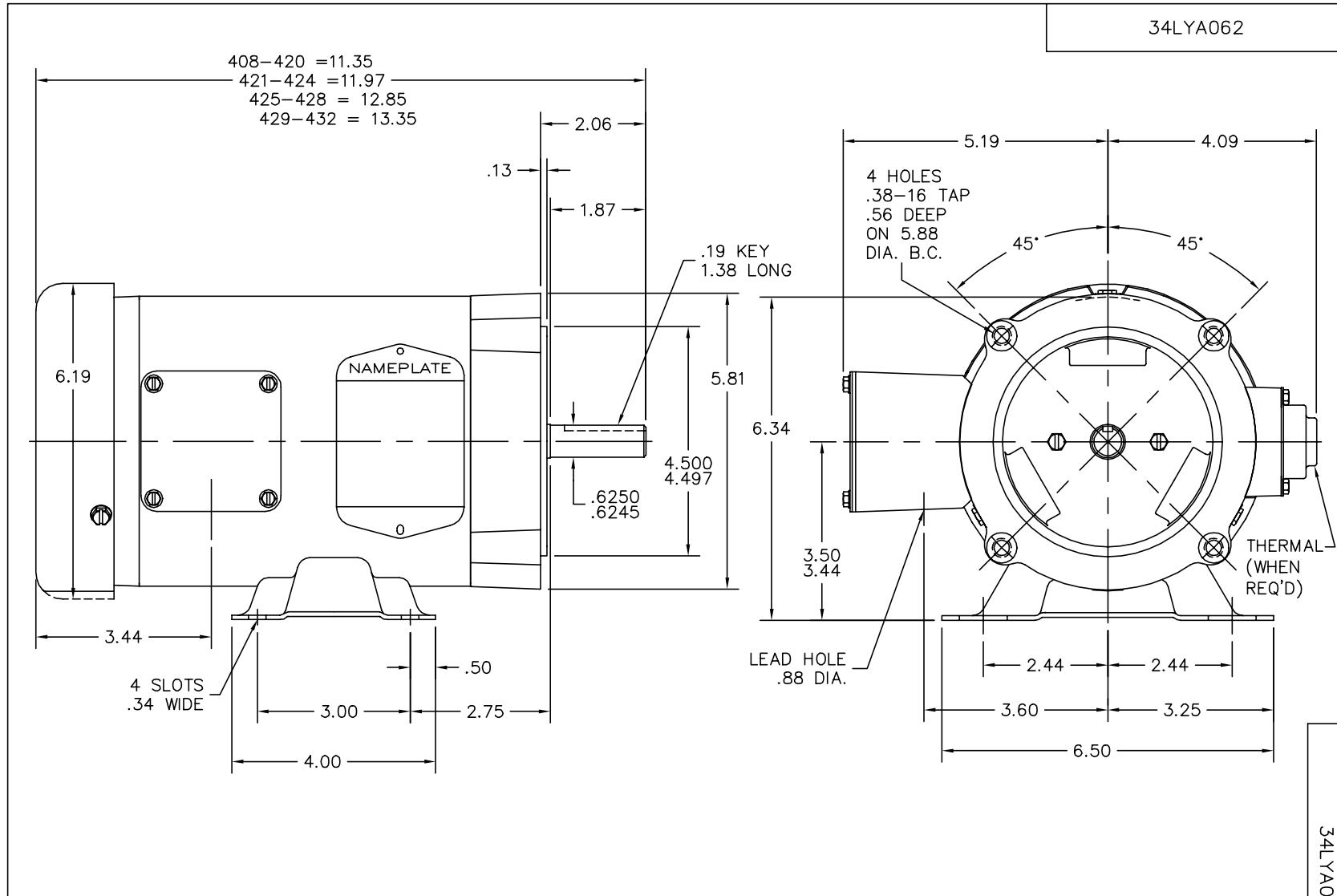
Winding: 34WGR707-R001			Type: 3420M			Enclosure: TEFC		
Nameplate Data				460 V, 60 Hz: High Voltage Connection				
Rated Output (HP)	0.75		Full Load Torque	2.27 LB-FT				
Volts	208-230/460		Start Configuration	direct on line				
Full Load Amps	3.2-3.0/1.5		Breakdown Torque	9.93 LB-FT				
R.P.M.	1725		Pull-up Torque	7.06 LB-FT				
Hz	60 Phase	3	Locked-rotor Torque	9.17 LB-FT				
NEMA Design Code	B KVA Code	M	Starting Current	9.78 A				
Service Factor (S.F.)	1.25		No-load Current	1.08 A				
NEMA Nom. Eff.	77 Power Factor	61	Line-line Res. @ 25°C	21.8 Ω				
Rating - Duty	40C-AMB CONT		Temp. Rise @ Rated Load	69°C				
S.F. Amps	3.6-3.4/1.7		Temp. Rise @ S.F. Load	105°C				
			Locked-rotor Power Factor	76.9				
			Rotor inertia	0.0476 lb-ft ²				

Load Characteristics 460 V, 60 Hz, 0.75 HP

% of Rated Load	25	50	75	100	125	150	S.F.
Power Factor	29	44	57	66	73	79	73
Efficiency	57.5	70.7	75.3	76.7	76.5	75.2	76.5
Speed	1780	1763	1745	1726	1723	1700	1723
Line amperes	1.09	1.15	1.26	1.4	1.58	1.79	1.58

Performance Graph at 460V, 60Hz, 0.75HP Typical performance - Not guaranteed values





CUSTOMER IS RESPONSIBLE FOR DETERMINING THAT BALDOR'S PRODUCT WILL PERFORM SUITABLY IN THE INTENDED APPLICATION.

REV. DESC: UPDATE BAND AND SHAFT TO NONE DASH (-) PART		
REV. LTR: R	VERSION: 03	TDR: 000001042106
FILE: \AAA\00000\725	REVISED: 11:32:57 09/05/2017	BY: ENMAIYO
MTL: -	Ⓢ Ⓜ	

BALDOR

STD HORZ 34M NEMA 56C TEFC

SH 1 of 1

34LYA062

CD0005

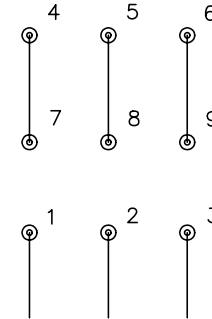


LOW VOLTAGE
(2Y)



LINE

HIGH VOLTAGE
(1Y)



LINE

NOTES:

1. INTERCHANGE ANY TWO LINE LEADS TO REVERSE ROTATION.
2. OPTIONAL THERMOSTATS ARE PROVIDED WHEN SPECIFIED.
3. ACTUAL NUMBER OF INTERNAL PARALLEL CIRCUITS MAY BE A MULTIPLE OF THOSE SHOWN ABOVE.
4. LEAD COLORS ARE OPTIONAL. LEADS MUST ALWAYS BE NUMBERED AS SHOWN.

REV. DESC: REVISE TO SHOW OPTIONAL COLORS			
REV. LTR: E	BY: JLP	REVISED: 01/19/99 10:15	TDR: 0171435
900000		FILE: AAA00005140	MDL: -
		MTL: -	

BALDOR ELECTRIC Co.

3PH, DV, 9 LEADS

CD0005