

BALDOR® • RELIANCE 

Product Information Packet

CPX14246T

2HP,1750//1450RPM,3PH,60HZ,145T,XPFC,F1

Part Detail							
Revision:	A	Status:	PRD/A	Change #:		Proprietary:	No
Type:	AC	Elec. Spec:	05WGX095	CD Diagram:	CD0005	Mfg Plant:	
Mech. Spec:		Layout:	05LY-000-046	Poles:	04	Created Date:	05-23-2019
Base:		Eff. Date:	08-15-2019	Leads:	9#18		

Specs			
Catalog Number:	CPX14246T	Electrically Isolated Bearing:	Not Electrically Isolated
Enclosure:	XPFC	Enclosure Modification:	Severe Duty Features
Frame:	145T	Feedback Device:	NO FEEDBACK
Frame Material:	Iron	Heater Indicator:	No Heater
Output @ Frequency:	1.500 HP @ 50 HZ	Insulation Class:	F
	2.000 HP @ 60 HZ	Inverter Code:	Inverter Duty
Synchronous Speed @ Frequency:	1800 RPM @ 60 HZ	IP Rating:	IP55
Voltage @ Frequency:	230.0 V @ 60 HZ	KVA Code:	L
	380.0 V @ 50 HZ	Lifting Lugs:	Standard Lifting Lugs
	460.0 V @ 60 HZ	Locked Bearing Indicator:	Locked Bearing
	190.0 V @ 50 HZ	Motor Lead Termination:	Flying Leads
XP Class and Group:	CLI GP C,D; CLII GP E,F,G	Motor Type:	0528M
XP Division:	Division I	Mounting Arrangement:	F1
Agency Approvals:	UR	Power Factor:	75
	CSA EEV	Product Family:	Super-E Chemical Processing
	CSA	Pulley Face Code:	Standard
Auxillary Box:	No Auxillary Box	Rodent Screen:	None
Auxillary Box Lead Termination:	None	RoHS Status:	ROHS NON-COMPLIANT

Base Indicator:	Rigid	Shaft Ground Indicator:	No Shaft Grounding
Bearing Grease Type:	Polyrex EM (-20F +300F)	Shaft Rotation:	Reversible
Blower:	None	Speed Code:	Single Speed
Constant Torque Speed Range:	6	Motor Standards:	NEMA
Current @ Voltage:	5.800 A @ 230.0 V	Starting Method:	Direct on line
	5.400 A @ 190.0 V	Thermal Device - Bearing:	None
	2.900 A @ 460.0 V	Thermal Device - Winding:	Normally Closed Thermostat
	2.700 A @ 380.0 V	Vibration Sensor Indicator:	No Vibration Sensor
Design Code:	B	Winding Thermal 1:	None
Drip Cover:	No Drip Cover	Winding Thermal 2:	None
Duty Rating:	CONT	XP Temp Code:	T3C

Nameplate NP2033XPSLEV										
NO.						CC	010A			
S/N						TEMP CODE	T3C			
SPEC.	05-0000-0061					INV.TYPE	PWM			
CAT.NO.	CPX14246T					C HP FR	60		C HP TO	90
HP	2//1.5					CT HZ FROM	6		CT HZ TO	60
VOLTS	230/460//190/380					VT HZ FROM	6		VT HZ TO	60
AMPS	5.8/2.9//5.4/2.7					MAG CUR	3.6/1.8			
RPM	1750//1450					MX RPM	2700			
HZ	60//50		PH	3	CL	B		NOM.EFF.	86.5	
SER.F.	1.00		DES	B	SL HZ	1.7		WK2	0.17	
FRAME	145T		RATING	40C AMB-CONT						
BLANK	55C AT 1.00SF SINEWAVE									
	1.15 SF SINEWAVE					IP55				

Parts List		
Part Number	Description	Quantity
SA369916	SA 05-0000-0061	1.000 EA
RA359526	RA 05-0000-0061	1.000 EA
LB1115N	LABEL,LIFTING DEVICE (ON ROLLS)	1.000 EA
LB1119N	WARNING LABEL	1.000 EA
LC0145B01	CONNECTION LABEL	1.000 EA
LB1417	LABEL CARTON 6X4 PERFORATED BLANK ROLLS	1.000 EA
NP2033XPSLEV	SS XP INV UL CSA-EEV CC CL-I GP-C&D	1.000 EA
85XU0407S04	4X1/4 U DRIVE PIN STAINLESS	2.000 EA
85XU0407S04	4X1/4 U DRIVE PIN STAINLESS	4.000 EA
MN416A01	TAG-INSTAL-MAINT no wire (2100/bx) 4/22	1.000 EA
LB1359F	ALUM XP CAUTION LABEL	1.000 EA
HW3201A05	3/8-16 EYEBOLT	1.000 EA
HW3021G05	PIN, 3/16 X .500 X	1.000 EA
35FH4005A01G	FAN COVER, STAMPED W/GREY EPOXY	1.000 EA
51XW1032A06	10-32 X .38, TAPTITE II, HEX WSHR SLTD S	3.000 EA
35FN3002A05SP	EXFN, PLASTIC, 6.376 OD, .638 ID	1.000 EA
51XB1214A16	12-14X1.00 HXWSSLD SERTYB	1.000 EA
MJ1000A02	GREASE, MOBIL POLYREX EM - 124047	0.050 LB
35EP3700C14G	FR ENDPLATE, XPFC - GROUP C&E MTRS.	1.000 EA
84XN3118J20	5/16-18 X 1 1/4" SOC HD CAP SCREW	4.000 EA
HA2009A87	SLINGER FOR GROUP E MTRS - 203 BRG.	1.000 EA
80XN0632A10	SET SCREW,#6-32 X .62 LG.HEX SOC. HD.	2.000 EA
HW5100A03	WAVY WASHER (W1543-017)	1.000 EA
HW4506A02	BREATHER/DRAIN-EXP PROOF-.125-27 NPTF AI	1.000 EA

Parts List (continued)		
Part Number	Description	Quantity
HW3022E05	.125 DIA X .500 ROLLED SPRING PIN	1.000 EA
HA2009A89	SPACER FOR XP MTRS - 205 BRG.	1.000 EA
35EP1704A90G	PULLEY 56C 205 BRG GROUP E W/O RABBET	1.000 EA
84XN3118J20	5/16-18 X 1 1/4" SOC HD CAP SCREW	4.000 EA
HA2009A71	SLINGER FOR GROUP E MTRS - 205 BRG.	1.000 EA
80XN0632J06	SET SCREW, 6-32 X 3/8", HEX SOCKET, AS	1.000 EA
51XN1032A20	10-32 X 1 1/4 HX WS SL SR	2.000 EA
HW4001A01	1/4 HX SOC PIPE PLG (F/S) ALLOY STEEL W/	2.000 EA
60XN1032A07	10-32 X .4375 TRUSS HEAD, TORX SERRATED	2.000 EA
HW4506A02	BREATHER/DRAIN-EXP PROOF-.125-27 NPTF AI	1.000 EA
HW3022E05	.125 DIA X .500 ROLLED SPRING PIN	1.000 EA
35CB1005A01G	CONDUIT BOX,MACH - GROUP "C" MTRS (GREY)	1.000 EA
11XW1032G06	10-32 X .38, TAPTITE II, HEX WSHR SLTD U	1.000 EA
HW3001B01	BRASS CUP WASHER, FOR #10 SCREW	1.000 EA
HW4002A18	1"HEX STEEL PIPE NIPPLE FOR 305XP MTRS	1.000 EA
HW3021F12	SPRING PIN, .156 X 1.25	1.000 EA
35CB1501A01G	CONDUIT BOX LID, MACH. - GROUP "C"MTRS(G	1.000 EA
RM1020A41	O-RING, -150 BUNA-N, .103 CS X 2.862 ID	1.000 EA
MG1500Y02	WILKOPON PRIMER YELLOW	0.022 GA
MG1025G29	WILKOFAS, 789.229, DARK CHARCOAL GRAY	0.022 GA
36PA1001	PKG GRP, PRINT PK1017A06	1.000 EA
HW2501D13	KEY, 3/16 SQ X 1.375	1.000 EA
HA7000A01	KEY RETAINER 7/8" DIA SHAFT	1.000 EA

AC Induction Motor Performance Data

Record # 75769

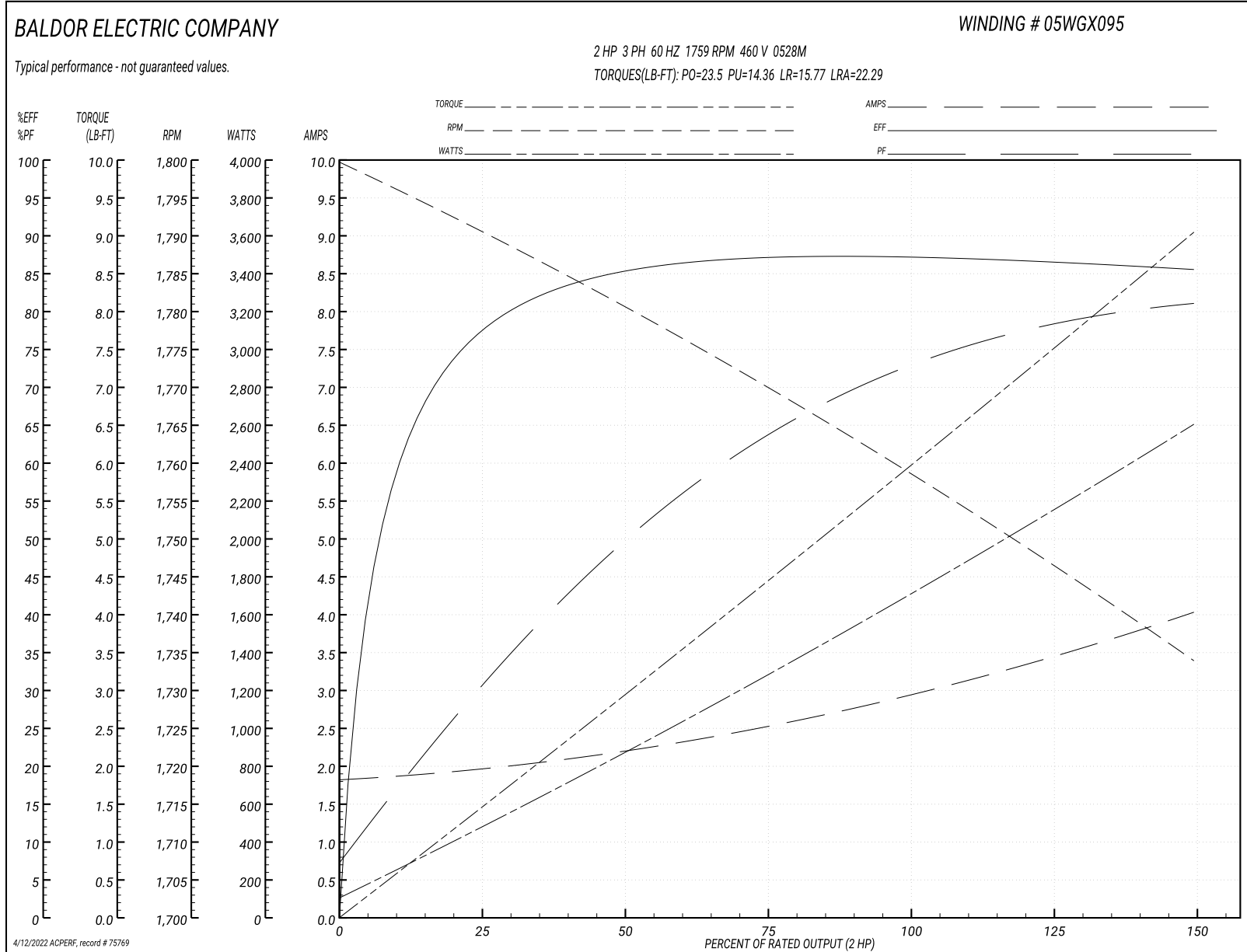
Typical performance - not guaranteed values

Winding: 05WGX095-R007		Type: 0528M		Enclosure: XPFC	
Nameplate Data			460 V, 60 Hz: High Voltage Connection		
Rated Output (HP)	2//1.5		Full Load Torque	5.96 LB-FT	
Volts	230/460//190/380		Start Configuration	direct on line	
Full Load Amps	5.8/2.9//5.4/2.7		Breakdown Torque	23.5 LB-FT	
R.P.M.	1750//1450		Pull-up Torque	14.36 LB-FT	
Hz	60//50	Phase	3	Locked-rotor Torque	15.77 LB-FT
NEMA Design Code	B	KVA Code	L	Starting Current	22.29 A
Service Factor (S.F.)	1		No-load Current	1.84 A	
NEMA Nom. Eff.	86.5	Power Factor	75	Line-line Res. @ 25°C	8.02 Ω
Rating - Duty	40C AMB-CONT		Temp. Rise @ Rated Load	54°C	
			Locked-rotor Power Factor	52.4	
			Rotor inertia	0.165 LB-FT ²	

Load Characteristics 460 V, 60 Hz, 2 HP

% of Rated Load	25	50	75	100	125	150
Power Factor	31	51	63	72	78	81
Efficiency	76.7	85.1	87.1	87.4	86.6	85.4
Speed	1790	1781	1770	1759	1746	1734
Line amperes	1.94	2.19	2.53	2.95	3.47	4.02

Performance Graph at 460V, 60Hz, 2.0HP Typical performance - Not guaranteed values



AC Induction Motor Performance Data

Record # 75774

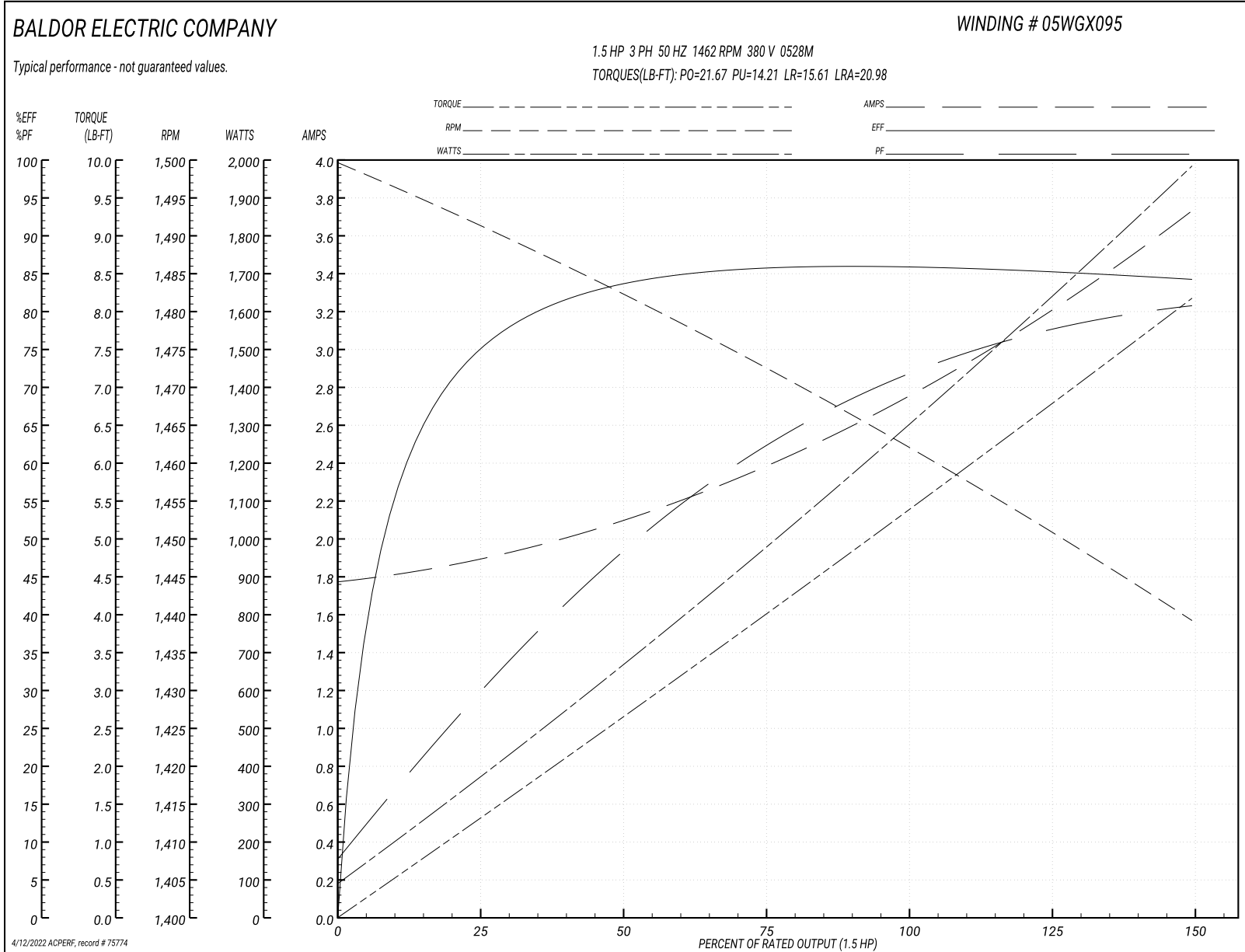
Typical performance - not guaranteed values

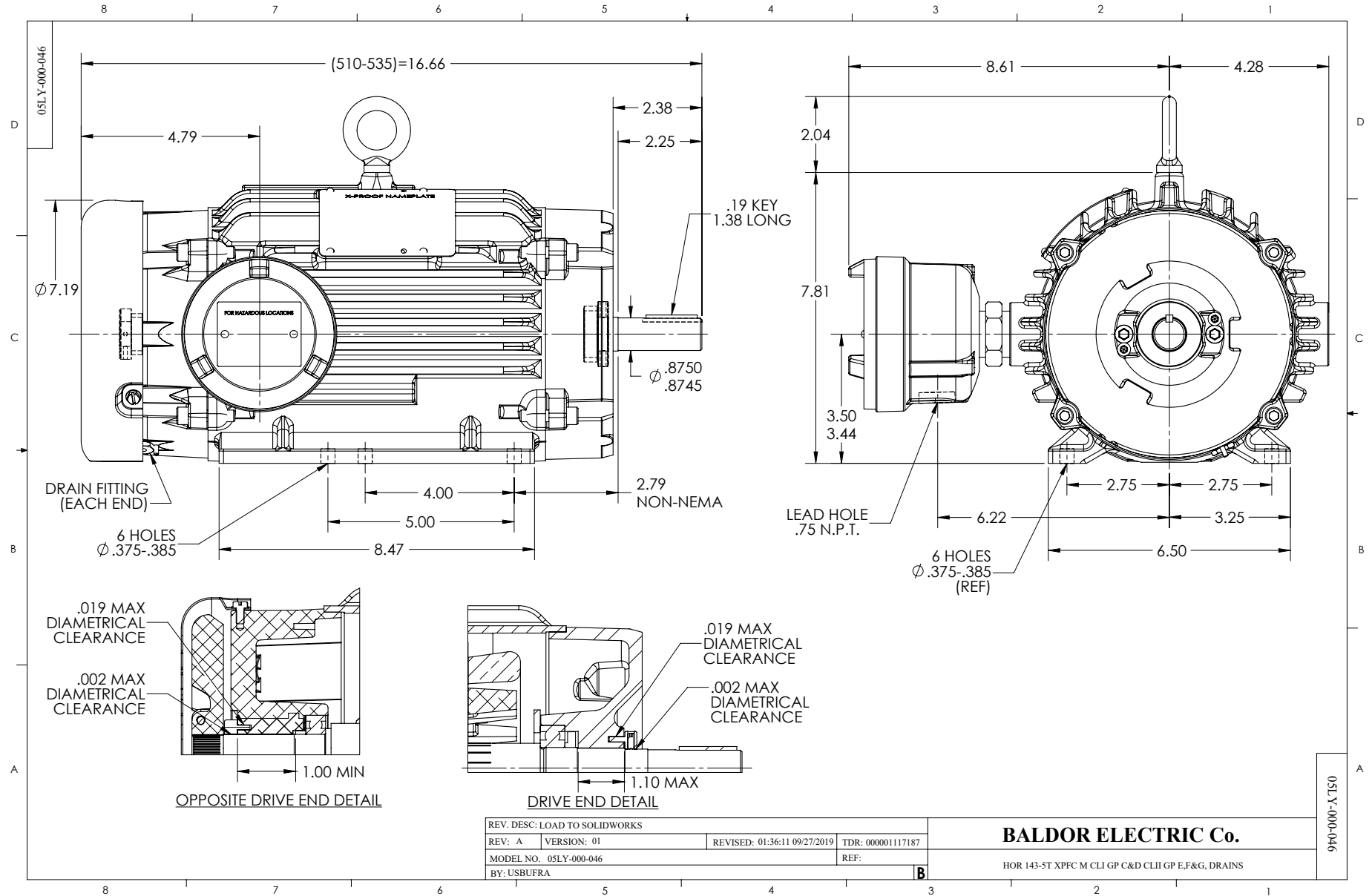
Winding: 05WGX095-R007		Type: 0528M		Enclosure: XPFC	
Nameplate Data			380 V, 50 Hz: High Voltage Connection		
Rated Output (HP)	2//1.5		Full Load Torque	5.38 LB-FT	
Volts	230/460//190/380		Start Configuration	direct on line	
Full Load Amps	5.8/2.9//5.4/2.7		Breakdown Torque	21.67 LB-FT	
R.P.M.	1750//1450		Pull-up Torque	14.21 LB-FT	
Hz	60//50	Phase	3	Locked-rotor Torque	15.61 LB-FT
NEMA Design Code	B	KVA Code	L	Starting Current	20.98 A
Service Factor (S.F.)	1		No-load Current	1.79 A	
NEMA Nom. Eff.	86.5	Power Factor	75	Line-line Res. @ 25°C	8.02 Ω
Rating - Duty	40C AMB-CONT		Temp. Rise @ Rated Load	49°C	
			Locked-rotor Power Factor	57.8	
			Rotor inertia	0.165 LB-FT ²	

Load Characteristics 380 V, 50 Hz, 1.5 HP

% of Rated Load	25	50	75	100	125	150
Power Factor	30	49	62	71	77	81
Efficiency	74.2	83.2	85.8	86.1	85.3	84.1
Speed	1491	1482	1473	1462	1451	1439
Line amperes	1.87	2.09	2.39	2.76	3.23	3.72

Performance Graph at 380V, 50Hz, 1.5HP Typical performance - Not guaranteed values





CD0005

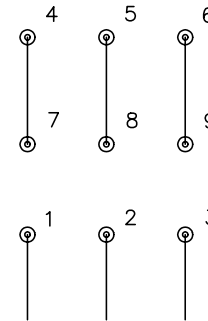


LOW VOLTAGE
(2Y)



LINE

HIGH VOLTAGE
(1Y)



LINE

NOTES:

1. INTERCHANGE ANY TWO LINE LEADS TO REVERSE ROTATION.
2. OPTIONAL THERMOSTATS ARE PROVIDED WHEN SPECIFIED.
3. ACTUAL NUMBER OF INTERNAL PARALLEL CIRCUITS MAY BE A MULTIPLE OF THOSE SHOWN ABOVE.
4. LEAD COLORS ARE OPTIONAL. LEADS MUST ALWAYS BE NUMBERED AS SHOWN.

REV. DESC: REVISE TO SHOW OPTIONAL COLORS			
REV. LTR: E	BY: JLP	REVISED: 01/19/99 10:15	TDR: 0171435
900000		FILE: AAA00005140	MDL: -
		MTL: -	

BALDOR ELECTRIC Co.

3PH, DV, 9 LEADS

CD0005

Marketing maintained PDF of MN416:

<http://www.baldor.com/support/Literature/Load.ashx/MN416?ManNumber=MN416>