

BALDOR® • RELIANCE 

Product Information Packet

CPX18546T

5//3HP,1750//1450RPM,3PH,60//50HZ,184T,X

Part Detail							
Revision:	J	Status:	PRD/A	Change #:		Proprietary:	No
Type:	AC	Elec. Spec:	06WGY545	CD Diagram:	CD0005	Mfg Plant:	
Mech. Spec:		Layout:	06LYJ961	Poles:	04	Created Date:	02-07-2019
Base:		Eff. Date:	07-28-2020	Leads:	9#16		

Specs			
Catalog Number:	CPX18546T	Enclosure Modification:	Severe Duty Features
Enclosure:	XPFC	Feedback Device:	NO FEEDBACK
Frame:	184T	Heater Indicator:	No Heater
Frame Material:	Iron	Insulation Class:	F
Output @ Frequency:	5.000 HP @ 60 HZ	Inverter Code:	Inverter Duty
Synchronous Speed @ Frequency:	1800 RPM @ 60 HZ	IP Rating:	IP55
Voltage @ Frequency:	460.0 V @ 60 HZ	KVA Code:	J
	230.0 V @ 60 HZ	Lifting Lugs:	Standard Lifting Lugs
XP Class and Group:	CLI GP C,D; CLII GP E,F,G	Locked Bearing Indicator:	Locked Bearing
XP Division:	Division I	Motor Lead Termination:	Flying Leads
Agency Approvals:	CSA	Motor Type:	0642M
	CSA EEV	Mounting Arrangement:	F1
	UR	Power Factor:	81
Auxillary Box:	No Auxillary Box	Product Family:	Super-E Chemical Processing
Auxillary Box Lead Termination:	None	Pulley Face Code:	Standard
Base Indicator:	Rigid	Rodent Screen:	None
Bearing Grease Type:	Polyrex EM (-20F +300F)	RoHS Status:	ROHS NON-COMPLIANT
Blower:	None	Shaft Ground Indicator:	No Shaft Grounding

Constant Torque Speed Range:	6	Shaft Rotation:	Reversible
Current @ Voltage:	6.600 A @ 460.0 V	Speed Code:	Single Speed
	5.100 A @ 380.0 V	Motor Standards:	NEMA
	13.200 A @ 230.0 V	Starting Method:	Direct on line
	10.200 A @ 190.0 V	Thermal Device - Bearing:	None
Design Code:	B	Thermal Device - Winding:	Normally Closed Thermostat
Drip Cover:	No Drip Cover	Vibration Sensor Indicator:	No Vibration Sensor
Duty Rating:	CONT	Winding Thermal 1:	None
Electrically Isolated Bearing:	Not Electrically Isolated	Winding Thermal 2:	None
		XP Temp Code:	T3C

Nameplate NP2033XPSLEV											
NO.						CC	010A				
S/N						TEMP CODE	T3C				
SPEC.	06-0000-0018					INV.TYPE	PWM				
CAT.NO.	CPX18546T					C HP FR	60		C HP TO	90	
HP	5//3					CT HZ FROM	6		CT HZ TO	60	
VOLTS	230/460//190/380					VT HZ FROM	6		VT HZ TO	60	
AMPS	13.2/6.6//10.2/5.1					MAG CUR	6/3				
RPM	1750//1450					MX RPM	2700				
HZ	60		PH	3		CL	F		NOM.EFF.	89.5	
SER.F.	1.00		DES	B		SL HZ	1.7		WK2	0.39	
FRAME	184T		RATING	40C AMB-CONT							
BLANK	55C AMB AT 1.00 SF SINEWAVE										
	NEMA MG-1 PART 5, IP55					1.15 SF SINEWAVE					

Parts List		
Part Number	Description	Quantity
SA365926	SA 06-0000-0018	1.000 EA
RA355330	RA 06-0000-0018	1.000 EA
LB1115N	LABEL,LIFTING DEVICE (ON ROLLS)	1.000 EA
LB1119N	WARNING LABEL	1.000 EA
LC0145B01	CONNECTION LABEL	1.000 EA
NP2033XPSLEV	SS XP INV UL CSA-EEV CC CL-I GP-C&D	1.000 EA
85XU0407S04	4X1/4 U DRIVE PIN STAINLESS	2.000 EA
85XU0407S04	4X1/4 U DRIVE PIN STAINLESS	4.000 EA
MN416A01	TAG-INSTAL-MAINT no wire (2100/bx) 4/22	1.000 EA
LB1081F	ALUM XP CAUTION LABEL (FS PLANT ONLY-	1.000 EA
HW3201A05	3/8-16 EYEBOLT	1.000 EA
06FH1003A06	FH, XP W/GRSR	1.000 EA
51XN1032A14	10-32 X 0.875 HX WS SL SR	4.000 EA
34FN3002A02	EXTERNAL FAN, PLASTIC, .905/.907 HUB W/	1.000 EA
MJ1000A02	GREASE, MOBIL POLYREX EM - 124047	0.050 LB
06EP1709A10	FREP X06M - XPFC FOR GROUP C&E W/GREASER	1.000 EA
10XN3118K20	5/16-18 X 1 1/4 GRADE 5 STEEL ZC PLATED	4.000 EA
HA2009A46	SLINGER FOR GROUP E MTRS - 205 BRG.	1.000 EA
80XN0632A10	SET SCREW,#6-32 X .62 LG.HEX SOC. HD.	2.000 EA
HW5100A05	WVY WSHR F/205 & 304 BRGS	1.000 EA
HW4500A01	1641B(ALEMITE)400 UNIV, GREASE FITT	1.000 EA
HW4500A20	1/8NPT SL PIPE PLUG	1.000 EA
HW4506A02	BREATHER/DRAIN-EXP PROOF-.125-27 NPTF AI	1.000 EA
06EP1711A01	PU ENDPLATE, MACH	1.000 EA

Parts List (continued)		
Part Number	Description	Quantity
HW1001A31	LOCKWASHER 5/16, ZINC PLT.591 OD, .319 I	4.000 EA
10XN3118K20	5/16-18 X 1 1/4 GRADE 5 STEEL ZC PLATED	4.000 EA
HA2009A57	SLINGER, FOR GROUP E MOTORS - 306 BRG.	1.000 EA
80XN0632A10	SET SCREW,#6-32 X .62 LG.HEX SOC. HD.	2.000 EA
51XN1032A28	10-32 X 1 3/4 HX WS SL SR	4.000 EA
HW4001A02	3/8 HX SOC PIPE PLUG W/.75" TAPER (F/S)	2.000 EA
HW4500A01	1641B(ALEMITE)400 UNIV, GREASE FITT	1.000 EA
HW4500A20	1/8NPT SL PIPE PLUG	1.000 EA
HW4506A02	BREATHER/DRAIN-EXP PROOF-.125-27 NPTF AI	1.000 EA
HW3022E05	.125 DIA X .500 ROLLED SPRING PIN	1.000 EA
07CB1000A02G	CONDUIT BOX, MODEL 306,EXP. PROOF,W/MG10	1.000 EA
10XN2520K14	1/4-20 X .88 HEX GRD 5 (20001)	4.000 EA
HW1001A25	LOCKWASHER 1/4, ZINC PLT .493 OD, .255 I	4.000 EA
WD1000B17	T&B CX35TN OR L35P TERMINAL LUG	1.000 EA
11XW1032G06	10-32 X .38, TAPTITE II, HEX WSHR SLTD U	1.000 EA
07CB1502A01G	CONDUIT BOX LID MACH (DUCTILE IRON) GRAY	1.000 EA
84XN2520J16	1/4-20 X 1 SOC HD CAP SCREW	4.000 EA
HW1001A25	LOCKWASHER 1/4, ZINC PLT .493 OD, .255 I	4.000 EA
MG1500Y02	WILKOPON PRIMER YELLOW	0.001 GA
MG1025G29	WILKOFASST, 789.229, DARK CHARCOAL GRAY	0.022 GA
G0PA1000	PKG GRP, PRINT PK1026A06	1.000 EA
HW2501E16	KEY, 1/4 SQ X 1.750	1.000 EA
HA7000A02	KEY RETAINER RING, 1 1/8 DIA, 1 3/8 DIA	1.000 EA

AC Induction Motor Performance Data

Record # 72834

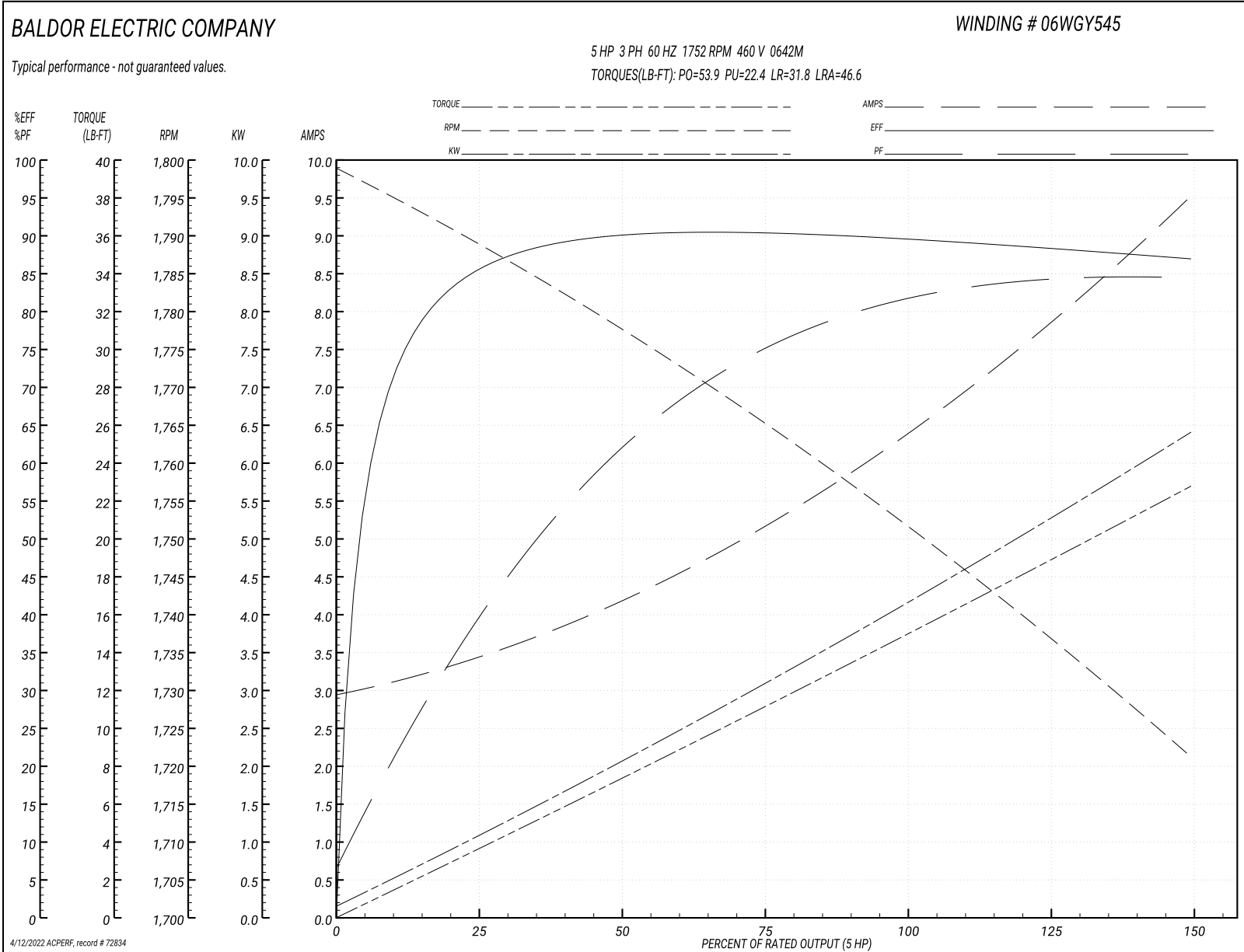
Typical performance - not guaranteed values

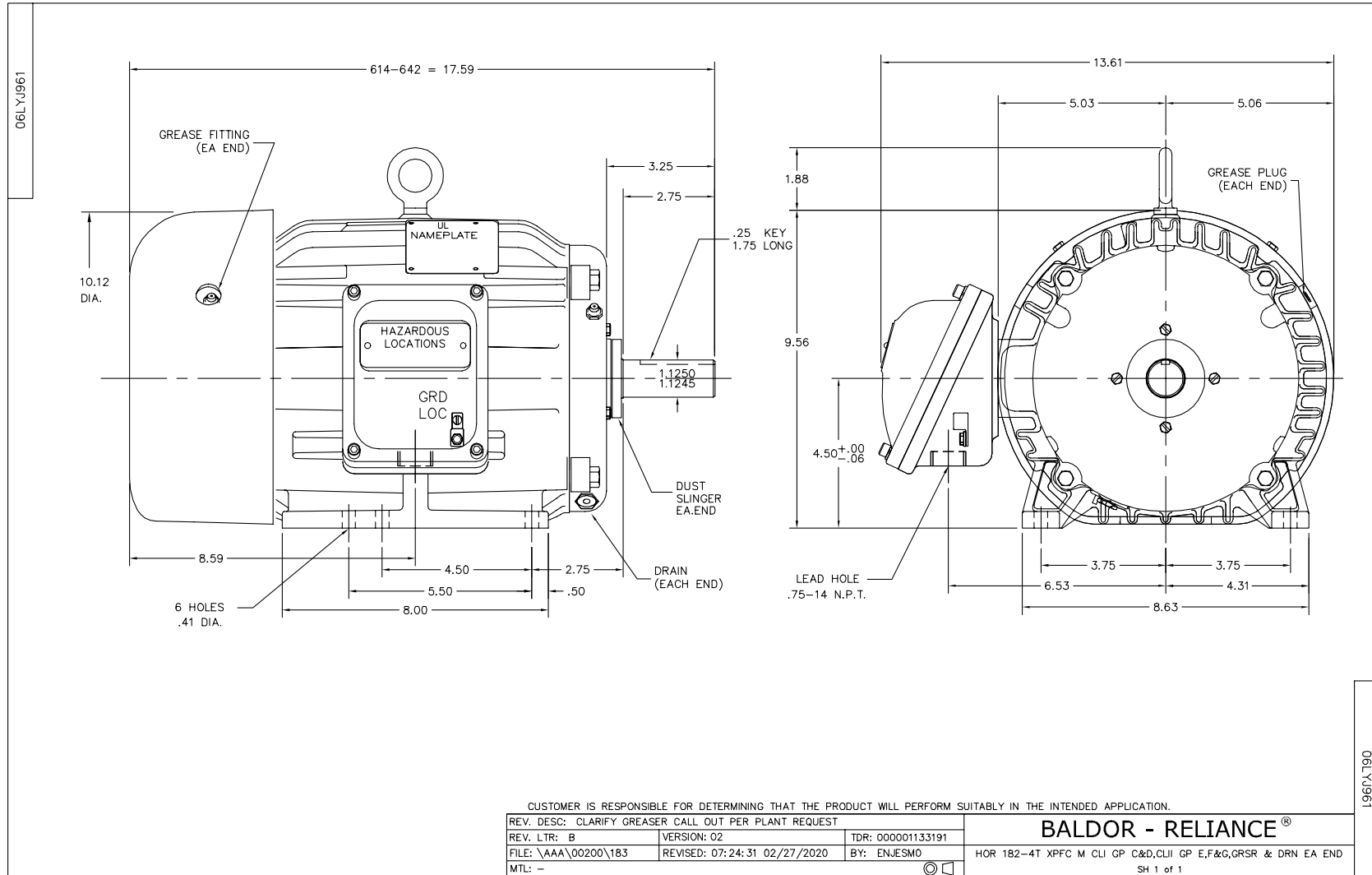
Winding: 06WGY545-R005		Type: 0642M		Enclosure: XPFC	
Nameplate Data			460 V, 60 Hz: High Voltage Connection		
Rated Output (HP)	5//3		Full Load Torque	15 LB-FT	
Volts	230/460//190/380		Start Configuration	direct on line	
Full Load Amps	13.2/6.6//10.2/5.1		Breakdown Torque	53.9 LB-FT	
R.P.M.	1750//1450		Pull-up Torque	22.4 LB-FT	
Hz	60//50	Phase	3	Locked-rotor Torque	31.8 LB-FT
NEMA Design Code	B KVA Code		J	Starting Current	46.6 A
Service Factor (S.F.)			1	No-load Current	3.02 A
NEMA Nom. Eff.	89.5	Power Factor	79	Line-line Res. @ 25°C	2.63 Ω
Rating - Duty	40C AMB-CONT			Temp. Rise @ Rated Load	53°C
				Locked-rotor Power Factor	40.5
				Rotor inertia	0.391 LB-FT ²

Load Characteristics 460 V, 60 Hz, 5 HP

% of Rated Load	25	50	75	100	125	150
Power Factor	41	63	75	81	84	85
Efficiency	85.1	89.7	90.3	89.8	88.4	86.8
Speed	1789	1777	1765	1752	1737	1721
Line amperes	3.35	4.14	5.21	6.45	7.91	9.47

Performance Graph at 460V, 60Hz, 5.0HP Typical performance - Not guaranteed values

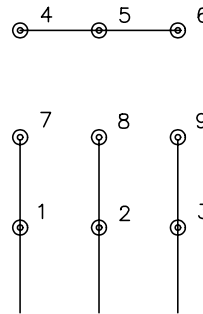




CD0005

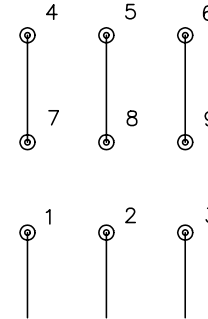


LOW VOLTAGE
(2Y)



LINE

HIGH VOLTAGE
(1Y)



LINE

NOTES:

1. INTERCHANGE ANY TWO LINE LEADS TO REVERSE ROTATION.
2. OPTIONAL THERMOSTATS ARE PROVIDED WHEN SPECIFIED.
3. ACTUAL NUMBER OF INTERNAL PARALLEL CIRCUITS MAY BE A MULTIPLE OF THOSE SHOWN ABOVE.
4. LEAD COLORS ARE OPTIONAL. LEADS MUST ALWAYS BE NUMBERED AS SHOWN.

REV. DESC: REVISE TO SHOW OPTIONAL COLORS

REV. LTR: E BY: JLP

REVISED: 01/19/99 10:15

TDR: 0171435

90000

FILE: AAA00005140

MDL: -

MTL: -

BALDOR ELECTRIC Co.

3PH, DV, 9 LEADS

CD0005

Marketing maintained PDF of MN416:

<http://www.baldor.com/support/Literature/Load.ashx/MN416?ManNumber=MN416>