

BALDOR® • RELIANCE 

Product Information Packet

CPX21126T

10HP,3490//2900RPM,3PH,60HZ,215T,XPFC,F1

Part Detail							
Revision:	E	Status:	PRD/A	Change #:		Proprietary:	No
Type:	AC	Elec. Spec:	07WGY361	CD Diagram:	CD0005	Mfg Plant:	
Mech. Spec:		Layout:	07LY-000-018	Poles:	02	Created Date:	04-30-2019
Base:		Eff. Date:	04-13-2021	Leads:	9#14		

Specs			
Catalog Number:	CPX21126T	Electrically Isolated Bearing:	Not Electrically Isolated
Enclosure:	XPFC	Enclosure Modification:	Severe Duty Features
Frame:	215T	Feedback Device:	NO FEEDBACK
Frame Material:	Iron	Heater Indicator:	No Heater
Output @ Frequency:	10.000 HP @ 60 HZ	Insulation Class:	F
	7.500 HP @ 50 HZ	Inverter Code:	Inverter Duty
Synchronous Speed @ Frequency:	3600 RPM @ 60 HZ	IP Rating:	IP55
Voltage @ Frequency:	230.0 V @ 60 HZ	KVA Code:	G
	380.0 V @ 50 HZ	Lifting Lugs:	Standard Lifting Lugs
	460.0 V @ 60 HZ	Locked Bearing Indicator:	Locked Bearing
	190.0 V @ 50 HZ	Motor Lead Termination:	Flying Leads
XP Class and Group:	CLI GP C,D; CLII GP E,F,G	Motor Type:	0730M
XP Division:	Division I	Mounting Arrangement:	F1
Agency Approvals:	UR	Power Factor:	87
	CSA EEV	Product Family:	Super-E Chemical Processing
	CSA	Pulley Face Code:	Standard
Auxillary Box:	No Auxillary Box	Rodent Screen:	None
Auxillary Box Lead Termination:	None	RoHS Status:	ROHS NON-COMPLIANT

Base Indicator:	Rigid	Shaft Ground Indicator:	No Shaft Grounding
Bearing Grease Type:	Polyrex EM (-20F +300F)	Shaft Rotation:	Reversible
Blower:	None	Speed Code:	Single Speed
Constant Torque Speed Range:	6	Motor Standards:	NEMA
Current @ Voltage:	22.400 A @ 230.0 V	Starting Method:	Direct on line
	20.800 A @ 190.0 V	Thermal Device - Bearing:	None
	11.200 A @ 460.0 V	Thermal Device - Winding:	Normally Closed Thermostat
	10.400 A @ 380.0 V	Vibration Sensor Indicator:	No Vibration Sensor
Design Code:	B	Winding Thermal 1:	None
Drip Cover:	No Drip Cover	Winding Thermal 2:	None
Duty Rating:	CONT	XP Temp Code:	T3C

Nameplate NP2033XPSLEV										
NO.						CC	010A			
S/N						TEMP CODE	T3C			
SPEC.	07-0000-0122					INV. TYPE	PWM			
CAT.NO.	CPX21126T					C HP FR	60		C HP TO	90
HP	10//7.5					CT HZ FROM	6		CT HZ TO	60
VOLTS	230/460//190/380					VT HZ FROM	6		VT HZ TO	60
AMPS	22.4/11.2//20.8/10.4					MAG CUR	6.6/3.3			
RPM	3490//2900					MX RPM	5400			
HZ	60//50		PH	3	CL	F		NOM.EFF.	90.2	
SER.F.	1.00		DES	B	SL HZ	1.8		WK2	0.273	
FRAME	215T		RATING	40C AMB-CONT						
BLANK	55C AMB AT 1.00 SF SINEWAVE									
	NEMA MG-1 PART 5, IP55					1.15 SF SINEWAVE				

Parts List		
Part Number	Description	Quantity
SA369095	SA 07-0000-0122	1.000 EA
RA358639	RA 07-0000-0122	1.000 EA
LB1115N	LABEL,LIFTING DEVICE (ON ROLLS)	1.000 EA
LB1119N	WARNING LABEL	1.000 EA
LC0145B01	CONNECTION LABEL	1.000 EA
NP2033XPSLEV	SS XP INV UL CSA-EEV CC CL-I GP-C&D	1.000 EA
85XU0407S04	4X1/4 U DRIVE PIN STAINLESS	2.000 EA
MN416A01	TAG-INSTAL-MAINT no wire (2100/bx) 4/22	1.000 EA
LB1081F	ALUM XP CAUTION LABEL (FS PLANT ONLY-	1.000 EA
HW3201A05	3/8-16 EYEBOLT	1.000 EA
07FH1003A05G	FAN HOUSING 307 EXPLOSION PROOF W/ GREAS	1.000 EA
10XN2520A12	1/4-20 X 3/4 HEX HEAD CAP	4.000 EA
36FN3000C02SP	EXFN, PLASTIC, 5.25 OD, 1.175 ID	1.000 EA
51XB1214A16	12-14X1.00 HXWSSLD SERTYB	1.000 EA
MJ1000A02	GREASE, MOBIL POLYREX EM - 124047	0.050 LB
07EP1707A22G	FRONT ENDPLATE EXPLOSION PROOF(GROUP C &	1.000 EA
10XN3816K28	3/8-16 X 1.75 HEX HD CAP SCREW, GRADE 5	4.000 EA
HW1001A38	LOCKWASHER 3/8, ZINC PLT .688 OD, .382 I	4.000 EA
HA2009A25	SLINGER, FOR GROUP E MOTORS - 206 BRG.	1.000 EA
80XN0632A10	SET SCREW,#6-32 X .62 LG.HEX SOC. HD.	2.000 EA
HW5100A06	W2420-025 WVY WSHR (WB)	1.000 EA
HW4500A01	1641B(ALEMITE)400 UNIV, GREASE FITT	1.000 EA
HW4500A19	1/4-28X1/4 SLOTTED PLUG F/S	1.000 EA
HW4506A02	BREATHER/DRAIN-EXP PROOF-.125-27 NPTF AI	1.000 EA

Parts List (continued)		
Part Number	Description	Quantity
HW3022E05	.125 DIA X .500 ROLLED SPRING PIN	1.000 EA
07EP1709A09G	PUEP X-PROOF W/LOK'D BRG. GP-E (GREY)	1.000 EA
HW1001A38	LOCKWASHER 3/8, ZINC PLT .688 OD, .382 I	4.000 EA
10XN3816K28	3/8-16 X 1.75 HEX HD CAP SCREW, GRADE 5	4.000 EA
HA2009A56	SLINGER, FOR GROUP E MOTORS - 307 BRG.	1.000 EA
80XN0632A10	SET SCREW,#6-32 X .62 LG.HEX SOC. HD.	1.000 EA
10XN2520A36	1/4-20X 2 1/4 HEX HD X	4.000 EA
HW1001A25	LOCKWASHER 1/4, ZINC PLT .493 OD, .255 I	4.000 EA
HW4500A01	1641B(ALEMITE)400 UNIV, GREASE FITT	1.000 EA
HW4500A19	1/4-28X1/4 SLOTTED PLUG F/S	1.000 EA
HW4506A02	BREATHER/DRAIN-EXP PROOF-.125-27 NPTF AI	1.000 EA
HW3022E05	.125 DIA X .500 ROLLED SPRING PIN	1.000 EA
07CB1000A01G	CONDUIT BOX MACH, W/EPOXY GRAY	1.000 EA
10XN3118A16	5/16-18X1 HEX HD CAP	4.000 EA
WD1000B17	T&B CX35TN OR L35P TERMINAL LUG	1.000 EA
11XW1032G06	10-32 X .38, TAPTITE II, HEX WSHR SLTD U	1.000 EA
07CB1502A01G	CONDUIT BOX LID MACH (DUCTILE IRON) GRAY	1.000 EA
84XN2520J16	1/4-20 X 1 SOC HD CAP SCREW	4.000 EA
MG1500Y02	WILKOPON PRIMER YELLOW	0.022 GA
MG1025G29	WILKOFASST, 789.229, DARK CHARCOAL GRAY	0.022 GA
07PA1011	PKG GRP, 07 CAST IRON PK1181	1.000 EA
10XL3808A28	3/8 X 1 3/4" LAG SCREW	2.000 EA
HW2501F21	KEY, 5/16 SQ X 2.375	1.000 EA
HA7000A02	KEY RETAINER RING, 1 1/8 DIA, 1 3/8 DIA	1.000 EA

MJ5001A27	32220KN GRAY SEALER *MIN BUY 4 QTS=1GAL	0.001 QT
-----------	---	----------

AC Induction Motor Performance Data

Record # 75763

Typical performance - not guaranteed values

Winding: 07WGY361-R002		Type: 0730M		Enclosure: TEFC	
Nameplate Data			460 V, 60 Hz: High Voltage Connection		
Rated Output (HP)	10	Full Load Torque	15 LB-FT		
Volts	230/460//190/380	Start Configuration	direct on line		
Full Load Amps	22.4/11.2//20.8/10.4	Breakdown Torque	50.8 LB-FT		
R.P.M.	3490//2900	Pull-up Torque	19.3 LB-FT		
Hz	60//60 Phase	3	Locked-rotor Torque	26.8 LB-FT	
NEMA Design Code	B KVA Code	G	Starting Current	72.6 A	
Service Factor (S.F.)		1	No-load Current	3.34 A	
NEMA Nom. Eff.	90.2 Power Factor	87	Line-line Res. @ 25°C	0.995 Ω	
Rating - Duty	40C AMB-CONT		Temp. Rise @ Rated Load	60°C	
			Locked-rotor Power Factor	32.6	
			Rotor inertia	0.273 LB-FT ²	

Load Characteristics 460 V, 60 Hz, 10 HP

% of Rated Load	25	50	75	100	125	150
Power Factor	64	83	90	92	92	91
Efficiency	88.8	91.9	91.7	90.4	89.3	87.7
Speed	3575	3550	3524	3493	3458	3418
Line amperes	4.15	6.08	8.55	11.2	14.3	17.6

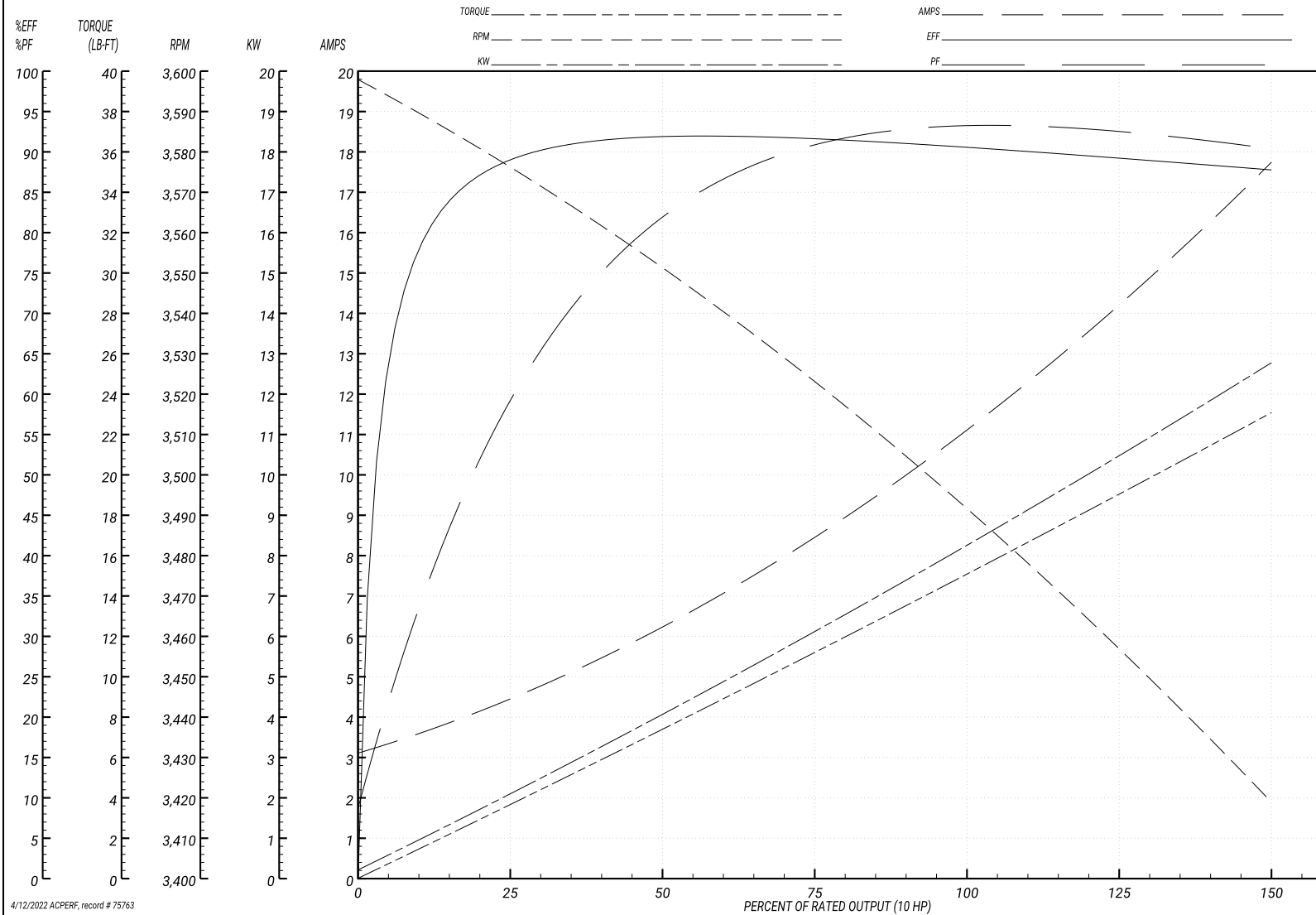
Performance Graph at 460V, 60Hz, 10.0HP Typical performance - Not guaranteed values

BALDOR ELECTRIC COMPANY

WINDING # 07WGY361

Typical performance - not guaranteed values.

10 HP 3 PH 60 HZ 3493 RPM 460 V 0730M
 TORQUES(LB-FT): PO=50.8 PU=19.3 LR=26.8 LRA=72.6



4/12/2022 ACPERF, record # 75763

AC Induction Motor Performance Data

Record # 75764

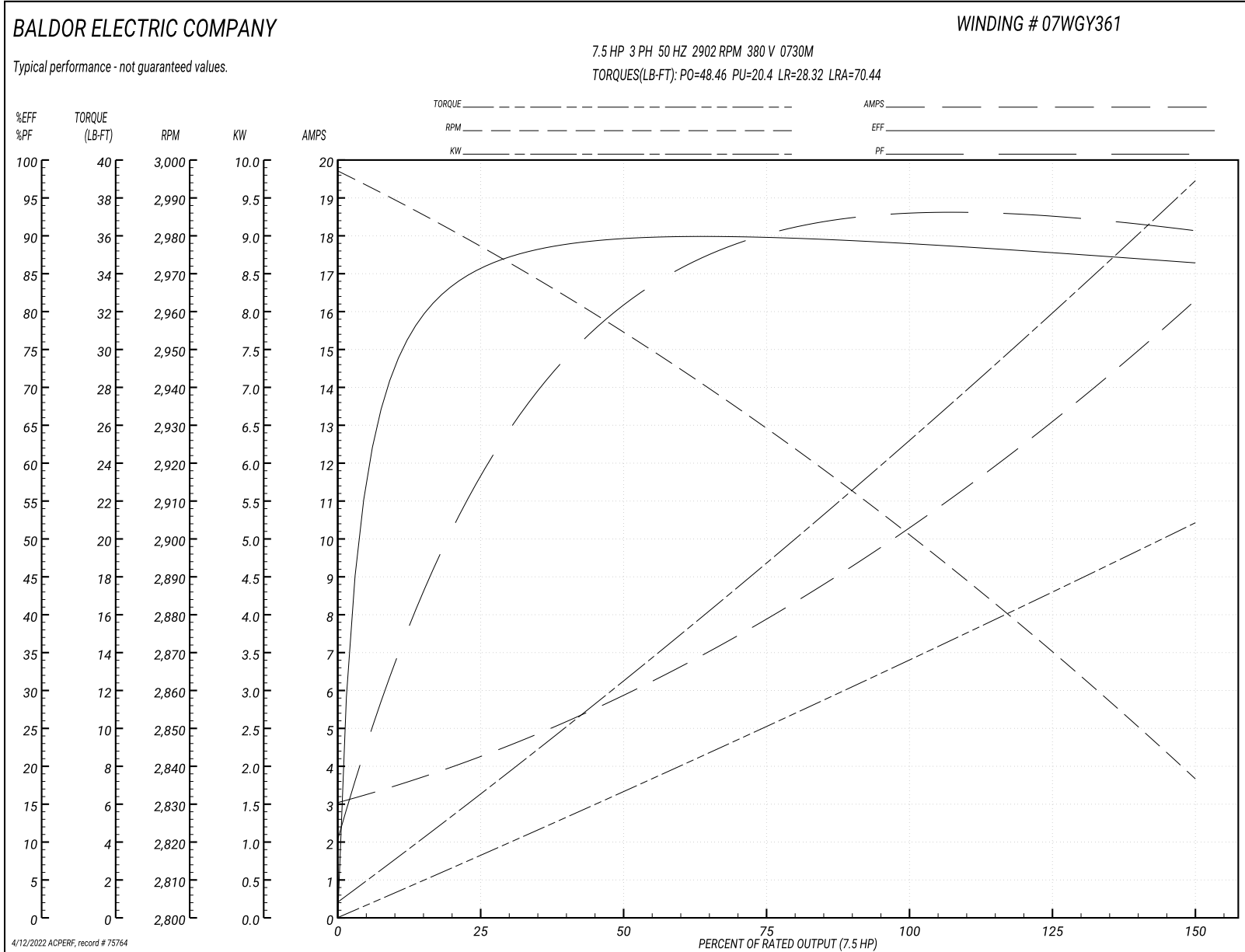
Typical performance - not guaranteed values

Winding: 07WGY361-R002		Type: 0730M		Enclosure: TEFC	
Nameplate Data			380 V, 50 Hz: High Voltage Connection		
Rated Output (HP)	10//7.5		Full Load Torque	13.54 LB-FT	
Volts	230/460//190/380		Start Configuration	direct on line	
Full Load Amps	22.4/11.2//20.8/10.4		Breakdown Torque	48.46 LB-FT	
R.P.M.	3490//2900		Pull-up Torque	20.4 LB-FT	
Hz	60//60	Phase	3	Locked-rotor Torque	28.32 LB-FT
NEMA Design Code	B KVA Code		G	Starting Current	70.44 A
Service Factor (S.F.)			1	No-load Current	3.25 A
NEMA Nom. Eff.	90.2	Power Factor	87	Line-line Res. @ 25°C	0.995 Ω
Rating - Duty	40C AMB-CONT			Temp. Rise @ Rated Load	54°C
				Locked-rotor Power Factor	31.7
				Rotor inertia	0.273 LB-FT ²

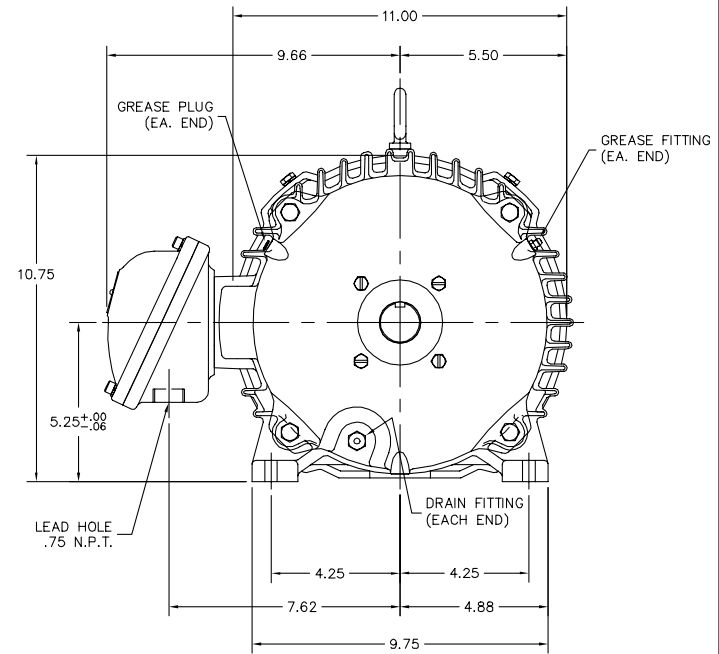
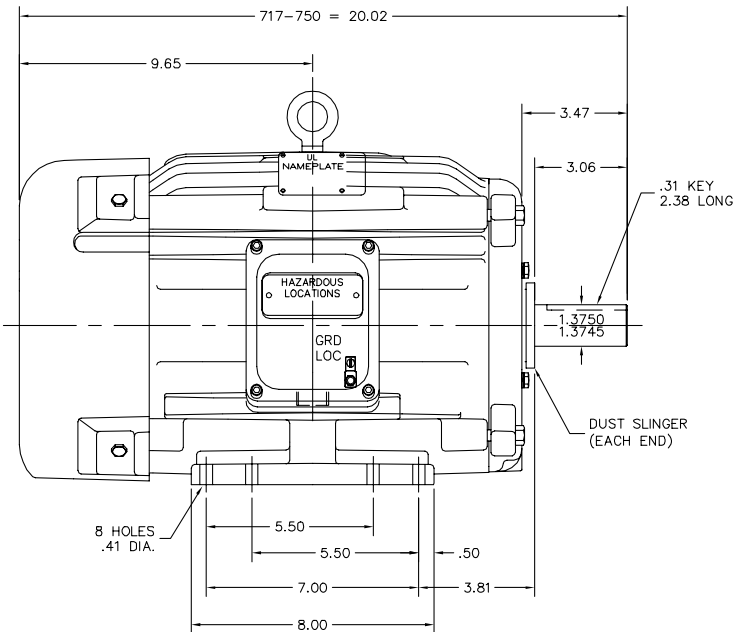
Load Characteristics 380 V, 50 Hz, 7.5 HP

% of Rated Load	25	50	75	100	125	150
Power Factor	63	82	89	92	92	91
Efficiency	85	89.6	89.9	88.9	87.9	86.3
Speed	2976	2954	2930	2902	2871	2836
Line amperes	3.99	5.73	7.96	10.38	13.19	16.17

Performance Graph at 380V, 50Hz, 7.5HP Typical performance - Not guaranteed values



07LY-000-018



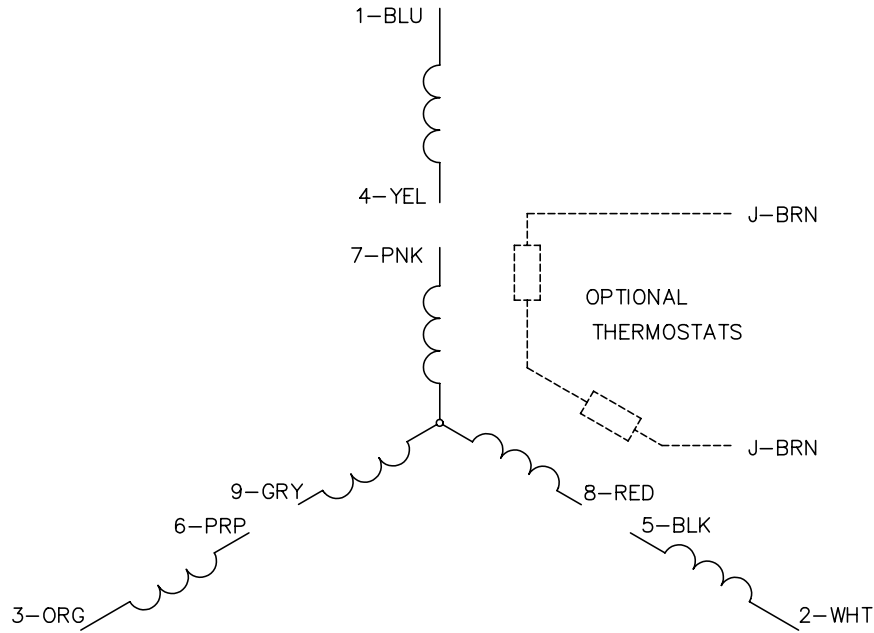
07LY-000-018

CUSTOMER IS RESPONSIBLE FOR DETERMINING THAT THE PRODUCT WILL PERFORM SUITABLY IN THE INTENDED APPLICATION.

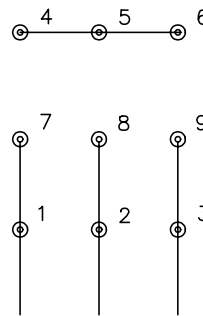
REV. DESC: CHG 07SH5147 TO 07SH5593		
REV. LTR: A	VERSION: 01	TDR: 000001166064
FILE: \AAA\00247\296	REVISED: 11:10:26 04/27/2021	BY: ENROSTO
MTL: -		

BALDOR - RELIANCE[®]
 HOR 213-5T XPFC M CLI GP C&D,CLII GP E,F&G, CP FEAT, GRSR
 SH 1 of 1

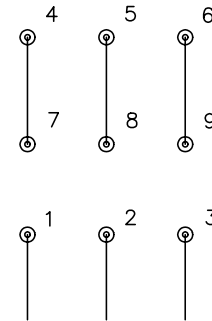
CD0005



LOW VOLTAGE
(2Y)



HIGH VOLTAGE
(1Y)



NOTES:

1. INTERCHANGE ANY TWO LINE LEADS TO REVERSE ROTATION.
2. OPTIONAL THERMOSTATS ARE PROVIDED WHEN SPECIFIED.
3. ACTUAL NUMBER OF INTERNAL PARALLEL CIRCUITS MAY BE A MULTIPLE OF THOSE SHOWN ABOVE.
4. LEAD COLORS ARE OPTIONAL. LEADS MUST ALWAYS BE NUMBERED AS SHOWN.

REV. DESC: REVISE TO SHOW OPTIONAL COLORS			
REV. LTR: E	BY: JLP	REVISED: 01/19/99 10:15	TDR: 0171435
90000		FILE: AAA00005140	MDL: -
		MTL: -	

BALDOR ELECTRIC Co.

3PH, DV, 9 LEADS

CD0005

Marketing maintained PDF of MN416:

<http://www.baldor.com/support/Literature/Load.ashx/MN416?ManNumber=MN416>