

**BALDOR® • RELIANCE** 

**Product Information Packet**

**CPX282526T**

**38M 2P XPFC HOR 284TSY TSTAT CP FEAT INV**

| Part Detail |        |             |            |             |        |               |            |
|-------------|--------|-------------|------------|-------------|--------|---------------|------------|
| Revision:   | C      | Status:     | PRD/A      | Change #:   |        | Proprietary:  | No         |
| Type:       | AC     | Elec. Spec: | 10WGY777   | CD Diagram: | CD0180 | Mfg Plant:    |            |
| Mech. Spec: | 10K316 | Layout:     | 10LYK316   | Poles:      | 02     | Created Date: | 04-25-2019 |
| Base:       | RG     | Eff. Date:  | 10-22-2021 | Leads:      | 9#10   |               |            |

| Specs                           |                           |                                |                          |
|---------------------------------|---------------------------|--------------------------------|--------------------------|
| Catalog Number:                 | CPX282526T                | Feedback Device:               | NO FEEDBACK              |
| Enclosure:                      | XPFC                      | Front Shaft Indicator:         | None                     |
| Frame:                          | 284TSY                    | Heater Indicator:              | No Heater                |
| Frame Material:                 | Iron                      | Insulation Class:              | F                        |
| Output @ Frequency:             | 20.000 HP @ 50 HZ         | Inverter Code:                 | Inverter Duty            |
|                                 | 25.000 HP @ 60 HZ         | IP Rating:                     | IP55                     |
| Synchronous Speed @ Frequency:  | 3600 RPM @ 60 HZ          | KVA Code:                      | G                        |
| Voltage @ Frequency:            | 380.0 V @ 50 HZ           | Lifting Lugs:                  | Standard Lifting Lugs    |
|                                 | 230.0 V @ 60 HZ           | Locked Bearing Indicator:      | Locked Bearing           |
|                                 | 460.0 V @ 60 HZ           | Motor Lead Quantity/Wire Size: | 9 @ 10 AWG               |
|                                 | 190.0 V @ 50 HZ           | Motor Lead Termination:        | Flying Leads             |
| XP Class and Group:             | CLI GP C,D; CLII GP E,F,G | Motor Type:                    | X1038M                   |
| XP Division:                    | Division I                | Mounting Arrangement:          | F1                       |
| Agency Approvals:               | UR                        | Power Factor:                  | 89                       |
|                                 | CSA EEV                   | Product Family:                | Hazardous Location Motor |
|                                 | CSA                       | Pulley End Bearing Type:       | Ball                     |
| Auxillary Box:                  | No Auxillary Box          | Pulley Face Code:              | Standard                 |
| Auxillary Box Lead Termination: | None                      | Pulley Shaft Indicator:        | Standard                 |

|                                       |                           |                                    |                            |
|---------------------------------------|---------------------------|------------------------------------|----------------------------|
| <b>Base Indicator:</b>                | Rigid                     | <b>Rodent Screen:</b>              | None                       |
| <b>Bearing Grease Type:</b>           | Polyrex EM (-20F +300F)   | <b>RoHS Status:</b>                | ROHS NON-COMPLIANT         |
| <b>Blower:</b>                        | None                      | <b>Shaft Ground Indicator:</b>     | No Shaft Grounding         |
| <b>Constant Torque Speed Range:</b>   | 6                         | <b>Shaft Rotation:</b>             | Reversible                 |
| <b>Current @ Voltage:</b>             | 63.000 A @ 208.0 V        | <b>Shaft Slinger Indicator:</b>    | Shaft Slinger              |
|                                       | 57.000 A @ 230.0 V        | <b>Speed Code:</b>                 | Single Speed               |
|                                       | 56.000 A @ 190.0 V        | <b>Motor Standards:</b>            | NEMA                       |
|                                       | 28.500 A @ 460.0 V        | <b>Starting Method:</b>            | Direct on line             |
|                                       | 28.000 A @ 380.0 V        | <b>Thermal Device - Bearing:</b>   | None                       |
| <b>Design Code:</b>                   | B                         | <b>Thermal Device - Winding:</b>   | Normally Closed Thermostat |
| <b>Drip Cover:</b>                    | No Drip Cover             | <b>Vibration Sensor Indicator:</b> | No Vibration Sensor        |
| <b>Duty Rating:</b>                   | CONT                      | <b>Winding Thermal 1:</b>          | None                       |
| <b>Electrically Isolated Bearing:</b> | Not Electrically Isolated | <b>Winding Thermal 2:</b>          | None                       |
| <b>Enclosure Modification:</b>        | Severe Duty Features      | <b>XP Temp Code:</b>               | T3C                        |

|                               |                             |  |               |              |                   |              |                     |                 |            |      |  |
|-------------------------------|-----------------------------|--|---------------|--------------|-------------------|--------------|---------------------|-----------------|------------|------|--|
| <b>Nameplate NP2033XPSLEV</b> |                             |  |               |              |                   |              |                     |                 |            |      |  |
| <b>NO.</b>                    |                             |  |               |              | <b>CC</b>         | 010A         |                     |                 |            |      |  |
| <b>S/N</b>                    |                             |  |               |              | <b>TEMP CODE</b>  | T3C          |                     |                 |            |      |  |
| <b>SPEC.</b>                  | 10K316Y777G1                |  |               |              | <b>INV.TYPE</b>   | PWM          |                     |                 |            |      |  |
| <b>CAT.NO.</b>                | CPX282526T                  |  |               |              | <b>C HP FR</b>    | 60           |                     | <b>C HP TO</b>  | 90         |      |  |
| <b>HP</b>                     | 25//20                      |  |               |              | <b>CT HZ FROM</b> | 6            |                     | <b>CT HZ TO</b> | 60         |      |  |
| <b>VOLTS</b>                  | 230/460//190/380            |  |               |              | <b>VT HZ FROM</b> | 6            |                     | <b>VT HZ TO</b> | 60         |      |  |
| <b>AMPS</b>                   | 57/28.5//56/28              |  |               |              | <b>MAG CUR</b>    | 16.2/8.1     |                     |                 |            |      |  |
| <b>RPM</b>                    | 3520//2930                  |  |               |              | <b>MX RPM</b>     | 5400         |                     |                 |            |      |  |
| <b>HZ</b>                     | 60//50                      |  | <b>PH</b>     | 3            |                   | <b>CL</b>    | F                   |                 |            |      |  |
| <b>SER.F.</b>                 | 1.00                        |  | <b>DES</b>    | B            |                   | <b>SL HZ</b> | 1.3                 |                 | <b>WK2</b> | 1.63 |  |
| <b>FRAME</b>                  | 284TSY                      |  | <b>RATING</b> | 40C AMB-CONT |                   |              |                     |                 |            |      |  |
| <b>BLANK</b>                  | 55C AMB @ 1.00 SF, 60C RISE |  |               |              |                   |              |                     |                 |            |      |  |
|                               | 1.15SF ON SINEWAVE          |  |               |              |                   |              | NEMA MG-1 PT.5,IP55 |                 |            |      |  |
|                               |                             |  |               |              |                   |              |                     |                 |            |      |  |

| Parts List   |  |          |
|--------------|--|----------|
| Part Number  | Description                              | Quantity |
| SA368866     | SA 10K316Y777G1                          | 1.000 EA |
| RA358397     | RA 10K316Y777G1                          | 1.000 EA |
| 37FN3002C03  | EXFN, PLASTIC, 6.00 OD, 1.690 ID         | 1.000 EA |
| 12CB1003A02P | KOBX, MACH 1.50 NPT GROUP C MTRS ,EPOXY  | 1.000 EA |
| 10XN3118K24  | 5/16-18 X 1.50" HEX HD, GRADE 5          | 4.000 EA |
| HW1001A31    | LOCKWASHER 5/16, ZINC PLT.591 OD, .319 I | 4.000 EA |
| WD1000B19    | TERMINAL BURNDY L250HP                   | 1.000 EA |
| 10XN3816K12  | 3/8-16 X 3/4 HEX HD CAP GRADE 5          | 1.000 EA |
| HW1001A38    | LOCKWASHER 3/8, ZINC PLT .688 OD, .382 I | 1.000 EA |
| HA4017A06    | /125 X 3.00 GREASER EXT. (F/S)           | 1.000 EA |
| HA4017A03    | .125 X 1.75 GREASE EXT (F/S)             | 1.000 EA |
| HW4019A01    | PIPE COUPLING 1/8 NPT,STEEL,ZINC COATING | 1.000 EA |
| HW3023E06    | .125 X .625 SPIRAL SPRING PIN            | 1.000 EA |
| HW4505A02    | BREATHER/DRAIN-EXP PROOF-.250-18 PTF AIS | 1.000 EA |
| HA3050A03    | 3/8-16 X 2.25" GRADE 8 BOLT              | 4.000 EA |
| HW1001A38    | LOCKWASHER 3/8, ZINC PLT .688 OD, .382 I | 4.000 EA |
| HW5100A11    | W3917-042 WVY WSHR (WB)                  | 1.000 EA |
| HA2009A53    | SLINGER FOR GROUP E MTRS - 309 BRG.      | 1.000 EA |
| 80XN0632A10  | SET SCREW,#6-32 X .62 LG.HEX SOC. HD.    | 1.000 EA |
| 10XN2520K40  | 1/4-20 X 2-1/2 HEX HD CAPSCREW,GRADE 5,Z | 4.000 EA |
| 10EP1709A13P | PUEP, EX.PRF - GROUP E MTR W/DRAIN & EPO | 1.000 EA |
| HW4505A02    | BREATHER/DRAIN-EXP PROOF-.250-18 PTF AIS | 1.000 EA |
| HW3023E06    | .125 X .625 SPIRAL SPRING PIN            | 1.000 EA |
| HA3050A03    | 3/8-16 X 2.25" GRADE 8 BOLT              | 4.000 EA |

| Parts List (continued) |   |           |
|------------------------|---|-----------|
| Part Number            | Description                               | Quantity  |
| HW1001A38              | LOCKWASHER 3/8, ZINC PLT .688 OD, .382 I  | 4.000 EA  |
| HA2009A33              | SLINGER, FOR GROUP E MOTORS - 311 BRG.    | 1.000 EA  |
| 80XN0632A10            | SET SCREW,#6-32 X .62 LG.HEX SOC. HD.     | 2.000 EA  |
| 10FH1008A32P           | 310 FH X-PROOF MACH W/DRAIN & GRSR SLOTS  | 1.000 EA  |
| 10XN3118K12            | 5/16-18 X .75 GRADE 5, ZINC PLATED        | 3.000 EA  |
| HW1001A31              | LOCKWASHER 5/16, ZINC PLT.591 OD, .319 I  | 3.000 EA  |
| 12CB1502A01P           | CONDUIT BOX LID MACH. GROUP C MTRS        | 1.000 EA  |
| 84XN5013J32            | SOCKET HD.CAP SCR,1/2-13 X 2"LG,ALLOY ST  | 10.000 EA |
| HW1001A50              | LOCKWASHER 1/2, ZINC PLT.,.879 OD, .509 I | 10.000 EA |
| HW2501G18              | SQUARE STEEL KEY .375 X 2.00 LONG         | 1.000 EA  |
| LB1115N                | LABEL,LIFTING DEVICE (ON ROLLS)           | 1.000 EA  |
| LB1081C                | ALUM XP CAUTION LABEL (COL PLANT ONLY-    | 1.000 EA  |
| MJ5001A27              | 32220KN GRAY SEALER *MIN BUY 4 QTS=1GAL   | 0.001 QT  |
| 10EP1701A64PP15        | FR ENDPLATE, MACH W/PRIMER & MG1025G29    | 1.000 EA  |
| HW4500A21              | 1618BALEMITE FITTING 825 UNIVERSAL        | 1.000 EA  |
| HA4051A00              | PLASTIC CAP FOR GREASE FITTING            | 1.000 EA  |
| HW4500A20              | 1/8NPT SL PIPE PLUG                       | 1.000 EA  |
| MJ1000A02              | GREASE, MOBIL POLYREX EM - 124047         | 0.130 LB  |
| HW4500A03              | GREASE FITTING, .125 NPT 1610(ALEMITE) 8  | 1.000 EA  |
| HA4051A00              | PLASTIC CAP FOR GREASE FITTING            | 1.000 EA  |
| HW4500A20              | 1/8NPT SL PIPE PLUG                       | 1.000 EA  |
| HW2500A25              | WOODRUFF KEY USA #1008 #BLOW CARBON STEE  | 1.000 EA  |
| 51XB1214A20            | 12-14X1.25 HXWSSLD SERTYB                 | 1.000 EA  |
| MG1025G29              | WILKOFAS, 789.229, DARK CHARCOAL GRAY     | 0.070 GA  |

Product Information Packet: CPX282526T - 38M 2P XPFC HOR 284TSY TSTAT CP FEAT INV

|              |   |          |
|--------------|---|----------|
| 85XU0407S04  | 4X1/4 U DRIVE PIN STAINLESS             | 6.000 EA |
| LB1119N      | WARNING LABEL                           | 1.000 EA |
| LC0181       | CONNECTION LABEL                        | 2.000 EA |
| NP2033XPSLEV | SS XP INV UL CSA-EEV CC CL-I GP-C&D     | 1.000 EA |
| 14PA1000     | PACKAGING 314 GROUP COMBINED PRINT      | 1.000 EA |
| MN416A01     | TAG-INSTAL-MAINT no wire (2100/bx) 4/22 | 1.000 EA |

**AC Induction Motor Performance Data**

Record # 31465

Typical performance - not guaranteed values

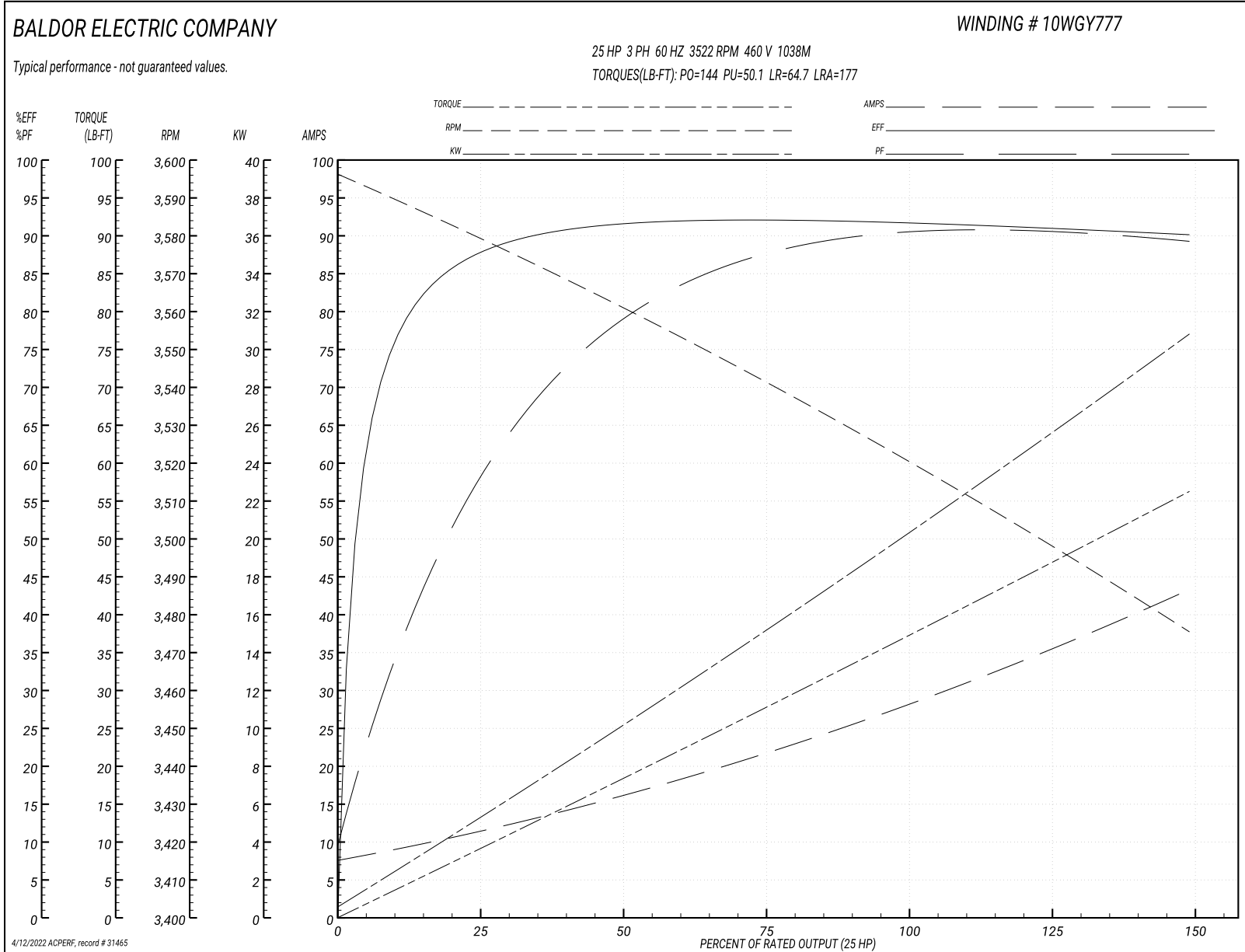
| <b>Winding: 10WGY777-R001</b> |                   | <b>Type: 1038M</b>  |  | <b>Enclosure: XPFC</b>           |                         |
|-------------------------------|-------------------|---------------------|--|----------------------------------|-------------------------|
| <b>Nameplate Data</b>         |                   |                     | <b>460 V, 60 Hz:<br/>High Voltage Connection</b> |                                  |                         |
| <b>Rated Output (HP)</b>      | 25//20            |                     | <b>Full Load Torque</b>                          | 37.4 LB-FT                       |                         |
| <b>Volts</b>                  | 230/460//190/380  |                     | <b>Start Configuration</b>                       | direct on line                   |                         |
| <b>Full Load Amps</b>         | 57/28.5//56/28    |                     | <b>Breakdown Torque</b>                          | 144 LB-FT                        |                         |
| <b>R.P.M.</b>                 | 3520//2930        |                     | <b>Pull-up Torque</b>                            | 50.1 LB-FT                       |                         |
| <b>Hz</b>                     | 60//50            | <b>Phase</b>        | 3  | <b>Locked-rotor Torque</b>       | 64.7 LB-FT              |
| <b>NEMA Design Code</b>       | <b>B KVA Code</b> |                     | G  | <b>Starting Current</b>          | 177 A                   |
| <b>Service Factor (S.F.)</b>  |                   |                     | 1  | <b>No-load Current</b>           | 8.07 A                  |
| <b>NEMA Nom. Eff.</b>         | 91.7              | <b>Power Factor</b> | 89   | <b>Line-line Res. @ 25°C</b>     | 0.294 Ω                 |
| <b>Rating - Duty</b>          | 40C AMB-CONT      |                     |  | <b>Temp. Rise @ Rated Load</b>   | 57°C                    |
|                               |                   |                     |  | <b>Locked-rotor Power Factor</b> | 24.1                    |
|                               |                   |                     |  | <b>Rotor inertia</b>             | 1.63 LB-FT <sup>2</sup> |

**Load Characteristics 460 V, 60 Hz, 25 HP**

| <b>% of Rated Load</b> | <b>25</b> | <b>50</b> | <b>75</b> | <b>100</b> | <b>125</b> | <b>150</b> |
|------------------------|-----------|-----------|-----------|------------|------------|------------|
| <b>Power Factor</b>    | 61        | 80        | 87        | 89         | 90         | 90         |
| <b>Efficiency</b>      | 87.5      | 91.5      | 91.7      | 91.9       | 91.1       | 90         |
| <b>Speed</b>           | 3576      | 3561      | 3543      | 3522       | 3499       | 3474       |
| <b>Line amperes</b>    | 10.6      | 15.7      | 21.7      | 28.6       | 35.6       | 43.1       |



Performance Graph at 460V, 60Hz, 25.0HP Typical performance - Not guaranteed values



**AC Induction Motor Performance Data**

Record # 31466

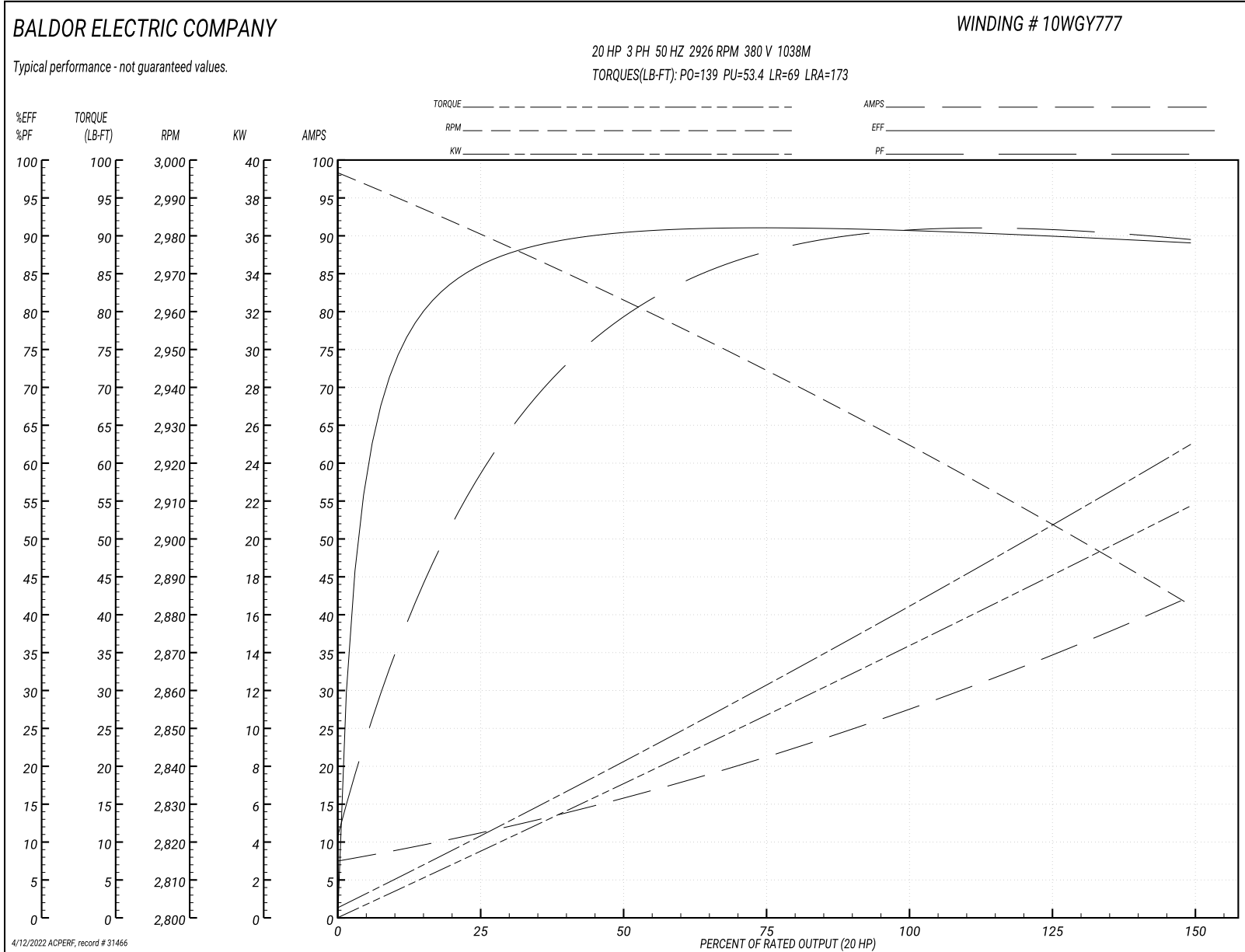
Typical performance - not guaranteed values

| <b>Winding: 10WGY777-R001</b> |                  | <b>Type: 1038M</b>  |  | <b>Enclosure: XPFC</b>       |          |
|-------------------------------|------------------|---------------------|--|------------------------------|----------|
| <b>Nameplate Data</b>         |                  |                     | <b>380 V, 50 Hz:<br/>High Voltage Connection</b> |                              |          |
| <b>Rated Output (HP)</b>      | 25//20           |                     | <b>Full Load Torque</b>                          | 36 LB-FT                     |          |
| <b>Volts</b>                  | 230/460//190/380 |                     | <b>Start Configuration</b>                       | direct on line               |          |
| <b>Full Load Amps</b>         | 57/28.5//56/28   |                     | <b>Breakdown Torque</b>                          | 139 LB-FT                    |          |
| <b>R.P.M.</b>                 | 3520//2930       |                     | <b>Pull-up Torque</b>                            | 53.4 LB-FT                   |          |
| <b>Hz</b>                     | 60//50           | <b>Phase</b>        | 3  | <b>Locked-rotor Torque</b>   | 69 LB-FT |
| <b>NEMA Design Code</b>       | B                | <b>KVA Code</b>     | G  | <b>Starting Current</b>      | 173 A    |
| <b>Service Factor (S.F.)</b>  | 1                |                     | <b>No-load Current</b>                           | 7.96 A                       |          |
| <b>NEMA Nom. Eff.</b>         | 91.7             | <b>Power Factor</b> | 89   | <b>Line-line Res. @ 25°C</b> | 0.294 Ω  |
| <b>Rating - Duty</b>          | 40C AMB-CONT     |                     | <b>Temp. Rise @ Rated Load</b>                   | 55°C                         |          |
|                               |                  |                     | <b>Locked-rotor Power Factor</b>                 | 27.2                         |          |
|                               |                  |                     | <b>Rotor inertia</b>                             | 1.63 LB-FT <sup>2</sup>      |          |

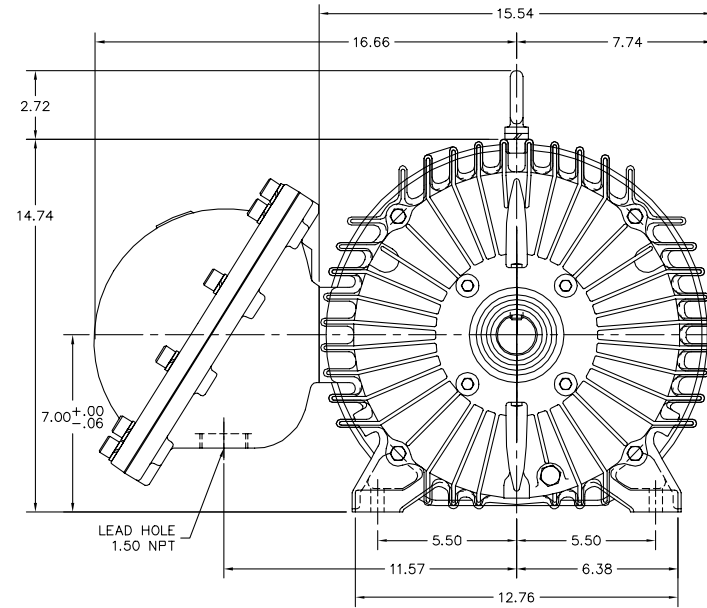
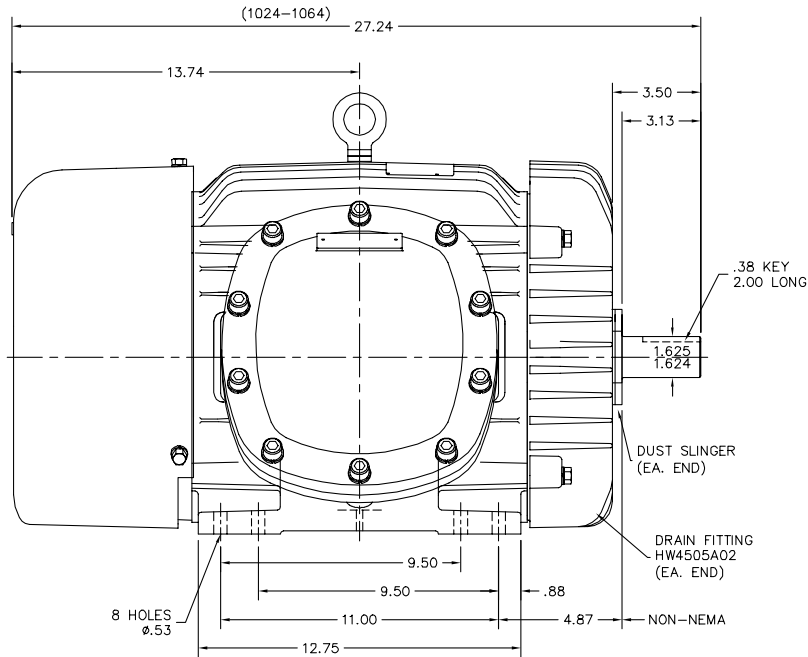
**Load Characteristics 380 V, 50 Hz, 20 HP**

| <b>% of Rated Load</b> | <b>25</b> | <b>50</b> | <b>75</b> | <b>100</b> | <b>125</b> | <b>150</b> |
|------------------------|-----------|-----------|-----------|------------|------------|------------|
| <b>Power Factor</b>    | 61        | 80        | 87        | 90         | 90         | 90         |
| <b>Efficiency</b>      | 85.6      | 90.2      | 90.8      | 91         | 90         | 89         |
| <b>Speed</b>           | 2978      | 2963      | 2946      | 2926       | 2905       | 2881       |
| <b>Line amperes</b>    | 10.4      | 15.3      | 21.2      | 27.9       | 34.8       | 42.2       |

Performance Graph at 380V, 50Hz, 20.0HP Typical performance - Not guaranteed values



10LYK316



10LYK316

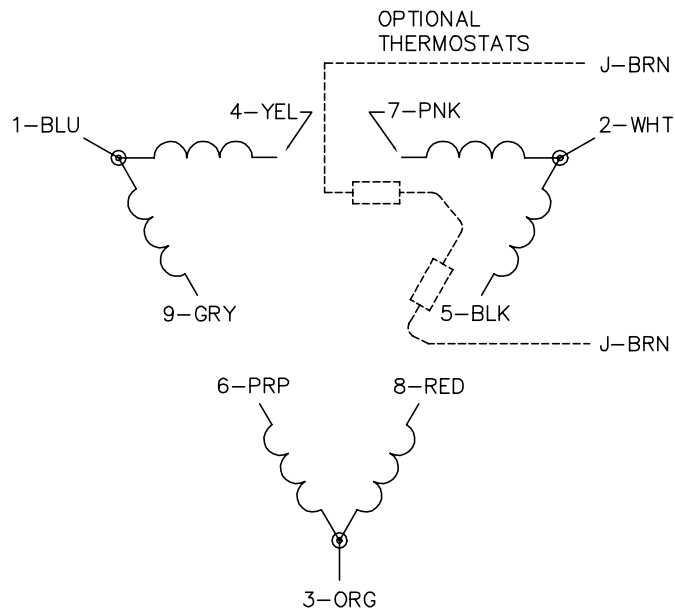
CUSTOMER IS RESPONSIBLE FOR DETERMINING THAT THE PRODUCT WILL PERFORM SUITABLY IN THE INTENDED APPLICATION.

|                                  |                              |                   |
|----------------------------------|------------------------------|-------------------|
| REV. DESC: REMOVE GREASER LEADER |                              |                   |
| REV. LTR: A                      | VERSION: 01                  | TDR: 000001170020 |
| FILE: \AAA\00224\340             | REVISED: 01:04:18 06/23/2021 | BY: ENNINDO       |
| MTL: -                           |                              |                   |

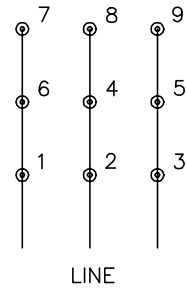
**BALDOR - RELIANCE**®

HOR XPFC 284-6TSY CP FT CL.I GP.C&D,CL.II GP.F&G W/GP.E SLNG  
SH 1 of 1

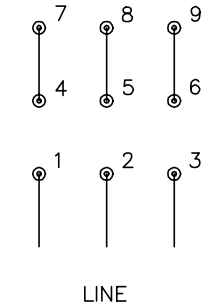
CD0180



LOW VOLTAGE  
(2D)



HIGH VOLTAGE  
(1D)



NOTES:

1. INTERCHANGE ANY TWO LINE LEADS TO REVERSE ROTATION.
2. OPTIONAL THERMOSTATS ARE PROVIDED WHEN SPECIFIED.
3. ACTUAL NUMBER OF INTERNAL PARALLEL CIRCUITS MAY BE A MULTIPLE OF THOSE SHOWN ABOVE.
4. LEAD COLORS ARE OPTIONAL. LEADS MUST ALWAYS BE NUMBERED AS SHOWN.

CD0180

|                                   |                              |                   |
|-----------------------------------|------------------------------|-------------------|
| REV. DESC: ADD CLASS CONN00000007 |                              |                   |
| REV. LTR: D                       | VERSION: 01                  | TDR: 000001099922 |
| FILE: \AAA\00005\148              | REVISED: 10:25:29 02/19/2019 | BY: ENBRIRO       |
| MTL: -                            | © □                          |                   |

**BALDOR - RELIANCE®**

3PH, DV, 9 LEADS, DELTA CONNECTION

SH 1 of 1

Marketing maintained PDF of MN416:

<http://www.baldor.com/support/Literature/Load.ashx/MN416?ManNumber=MN416>