

BALDOR® • RELIANCE 

Product Information Packet

CPX282546T

25HP,1775//1475RPM,3PH,60HZ,284T,XPFC,F1

Part Detail							
Revision:	J	Status:	PRD/A	Change #:		Proprietary:	No
Type:	AC	Elec. Spec:	10WZ651	CD Diagram:	CD0180	Mfg Plant:	
Mech. Spec:		Layout:	10LY-000-185	Poles:	04	Created Date:	02-19-2019
Base:		Eff. Date:	08-17-2021	Leads:	9#10		

Specs			
Catalog Number:	CPX282546T	Electrically Isolated Bearing:	Not Electrically Isolated
Enclosure:	XPFC	Enclosure Modification:	Severe Duty Features
Frame:	284T	Feedback Device:	NO FEEDBACK
Frame Material:	Iron	Heater Indicator:	No Heater
Output @ Frequency:	20.000 HP @ 50 HZ	Insulation Class:	F
	25.000 HP @ 60 HZ	Inverter Code:	Inverter Duty
Synchronous Speed @ Frequency:	1800 RPM @ 60 HZ	IP Rating:	IP55
Voltage @ Frequency:	230.0 V @ 60 HZ	KVA Code:	J
	380.0 V @ 50 HZ	Lifting Lugs:	Standard Lifting Lugs
	460.0 V @ 60 HZ	Locked Bearing Indicator:	Locked Bearing
	190.0 V @ 50 HZ	Motor Lead Termination:	Flying Leads
XP Class and Group:	CLI GP C,D; CLII GP E,F,G	Motor Type:	1054M
XP Division:	Division I	Mounting Arrangement:	F1
Agency Approvals:	UR	Power Factor:	81
	CSA EEV	Product Family:	Chemical Process Features
	CSA	Pulley Face Code:	Standard
Auxillary Box:	No Auxillary Box	Rodent Screen:	None
Auxillary Box Lead Termination:	None	RoHS Status:	ROHS NON-COMPLIANT

Base Indicator:	Rigid	Shaft Ground Indicator:	No Shaft Grounding
Bearing Grease Type:	Polyrex EM (-20F +300F)	Shaft Rotation:	Reversible
Blower:	None	Speed Code:	Single Speed
Constant Torque Speed Range:	6	Motor Standards:	NEMA
Current @ Voltage:	62.000 A @ 230.0 V	Starting Method:	Direct on line
	60.000 A @ 190.0 V	Thermal Device - Bearing:	None
	31.000 A @ 460.0 V	Thermal Device - Winding:	Normally Closed Thermostat
	30.000 A @ 380.0 V	Vibration Sensor Indicator:	No Vibration Sensor
Design Code:	A	Winding Thermal 1:	None
Drip Cover:	No Drip Cover	Winding Thermal 2:	None
Duty Rating:	CONT	XP Temp Code:	T3C

Nameplate NP2033XPSLEV										
NO.						CC	010A			
S/N						TEMP CODE	T3C			
SPEC.	10-0000-0557					INV.TYPE	PWM			
CAT.NO.	CPX282546T					C HP FR	60		C HP TO	90
HP	25//20					CT HZ FROM	6		CT HZ TO	60
VOLTS	230/460//190/380					VT HZ FROM	6		VT HZ TO	60
AMPS	62/31//60/30					MAG CUR	28/14			
RPM	1775//1475					MX RPM	2700			
HZ	60//50		PH	3	CL	F		NOM.EFF.	93.6	
SER.F.	1.00		DES	A	SL HZ	0.83		WK2	4.13	
FRAME	284T		RATING	40C AMB-CONT						
BLANK	55C AMB @ 1.0SF, 60C RISE									
	1.15SF ON SINEWAVE					NEMA MG-1 PT.5,IP55				

Parts List		
Part Number	Description	Quantity
SA366349	SA 10-0000-0557	1.000 EA
RA355774	RA 10-0000-0557	1.000 EA
LB1115N	LABEL,LIFTING DEVICE (ON ROLLS)	1.000 EA
LB1119N	WARNING LABEL	1.000 EA
LC0181	CONNECTION LABEL	1.000 EA
NP2033XPSLEV	SS XP INV UL CSA-EEV CC CL-I GP-C&D	1.000 EA
85XU0407S04	4X1/4 U DRIVE PIN STAINLESS	2.000 EA
85XU0407S04	4X1/4 U DRIVE PIN STAINLESS	4.000 EA
MN416A01	TAG-INSTAL-MAINT no wire (2100/bx) 4/22	1.000 EA
LB1081C	ALUM XP CAUTION LABEL (COL PLANT ONLY-	1.000 EA
10FH1008A05P	310 FAN HOUSING X-PROOF MACH. W/EPOXY PR	1.000 EA
HW1001A31	LOCKWASHER 5/16, ZINC PLT.591 OD, .319 I	3.000 EA
10XN3118K12	5/16-18 X .75 GRADE 5, ZINC PLATED	3.000 EA
09FN3001C02	EXTERNAL FAN, PLASTIC (COMES W/SCREW FRO	1.000 EA
HW2500A25	WOODRUFF KEY USA #1008 #BLOW CARBON STEE	1.000 EA
MJ1000A02	GREASE, MOBIL POLYREX EM - 124047	0.130 LB
10EP1701A64PP15	FR ENDPLATE, MACH W/PRIMER & MG1025G29	1.000 EA
HA3050A03	3/8-16 X 2.25" GRADE 8 BOLT	4.000 EA
HW1001A38	LOCKWASHER 3/8, ZINC PLT .688 OD, .382 I	4.000 EA
HA2009A53	SLINGER FOR GROUP E MTRS - 309 BRG.	1.000 EA
80XN0632A10	SET SCREW,#6-32 X .62 LG.HEX SOC. HD.	2.000 EA
HW5100A11	W3917-042 WVY WSHR (WB)	1.000 EA
HA4017A06	/125 X 3.00 GREASER EXT. (F/S)	1.000 EA
HA4017A03	.125 X 1.75 GREASE EXT (F/S)	1.000 EA

Parts List (continued)		
Part Number	Description	Quantity
HW4019A01	PIPE COUPLING 1/8 NPT,STEEL,ZINC COATING	1.000 EA
HA4051A00	PLASTIC CAP FOR GREASE FITTING	1.000 EA
HW4500A21	1618BALEMITE FITTING 825 UNIVERSAL	1.000 EA
HW4500A20	1/8NPT SL PIPE PLUG	1.000 EA
HW4505A02	BREATHER/DRAIN-EXP PROOF-.250-18 PTF AIS	1.000 EA
HW3023E06	.125 X .625 SPIRAL SPRING PIN	1.000 EA
10EP1709A13P	PUEP, EX.PRF - GROUP E MTR W/DRAIN & EPO	1.000 EA
HW1001A38	LOCKWASHER 3/8, ZINC PLT .688 OD, .382 I	4.000 EA
HA3050A03	3/8-16 X 2.25" GRADE 8 BOLT	4.000 EA
HA2009A33	SLINGER, FOR GROUP E MOTORS - 311 BRG.	1.000 EA
80XN0632A10	SET SCREW,#6-32 X .62 LG.HEX SOC. HD.	2.000 EA
10XN2520K40	1/4-20 X 2-1/2 HEX HD CAPSCREW,GRADE 5,Z	4.000 EA
HA4051A00	PLASTIC CAP FOR GREASE FITTING	1.000 EA
HW4500A03	GREASE FITTING, .125 NPT 1610(ALEMITE) 8	1.000 EA
HW4500A20	1/8NPT SL PIPE PLUG	1.000 EA
HW4505A02	BREATHER/DRAIN-EXP PROOF-.250-18 PTF AIS	1.000 EA
HW3023E06	.125 X .625 SPIRAL SPRING PIN	1.000 EA
12CB1003A02P	KOBX, MACH 1.50 NPT GROUP C MTRS ,EPOXY	1.000 EA
10XN3118K24	5/16-18 X 1.50" HEX HD, GRADE 5	4.000 EA
HW1001A31	LOCKWASHER 5/16, ZINC PLT.591 OD, .319 I	4.000 EA
WD1000B19	TERMINAL BURNDY L250HP	1.000 EA
10XN3816K12	3/8-16 X 3/4 HEX HD CAP GRADE 5	1.000 EA
HW1001A38	LOCKWASHER 3/8, ZINC PLT .688 OD, .382 I	1.000 EA
12CB1502A01P	CONDUIT BOX LID MACH. GROUP C MTRS	1.000 EA

Product Information Packet: CPX282546T - 25HP,1775//1475RPM,3PH,60HZ,284T,XPFC,F1

84XN5013J32	SOCKET HD.CAP SCR,1/2-13 X 2"LG,ALLOY ST	10.000 EA
HW1001A50	LOCKWASHER 1/2, ZINC PLT, .879 OD, .509 I	10.000 EA
MG1025G29	WILKOFASST, 789.229, DARK CHARCOAL GRAY	0.125 GA
14PA1000	PACKAGING 314 GROUP COMBINED PRINT	1.000 EA
HW2501H28	KEY, 1/2 SQ X 3.250	1.000 EA
MJ5001A27	32220KN GRAY SEALER *MIN BUY 4 QTS=1GAL	0.001 QT

AC Induction Motor Performance Data

Record # 67462

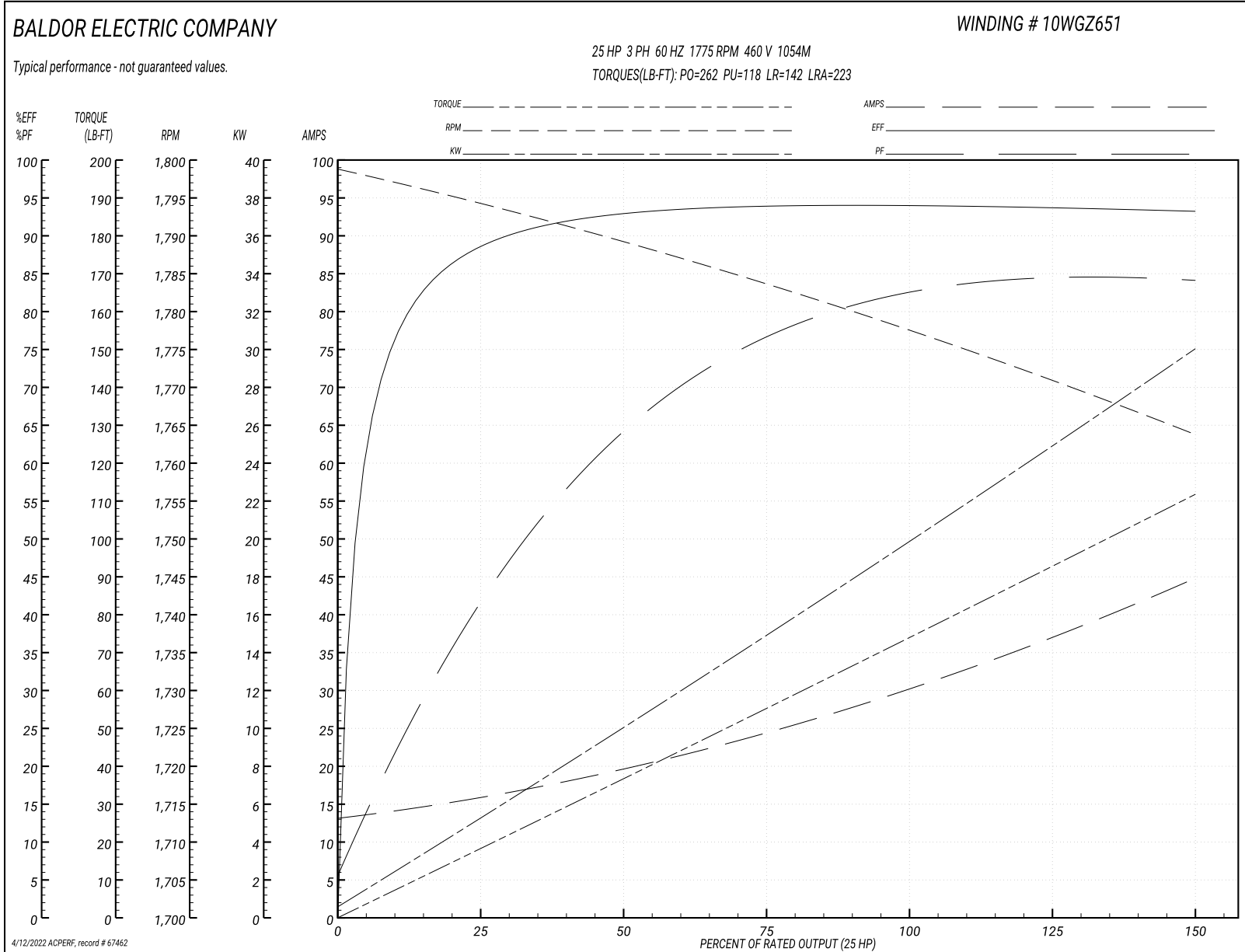
Typical performance - not guaranteed values

Winding: 10WGZ651-R004		Type: 1054M		Enclosure: XPFC	
Nameplate Data			460 V, 60 Hz: High Voltage Connection		
Rated Output (HP)	25	Full Load Torque	74.02 LB-FT		
Volts	230/460	Start Configuration	direct on line		
Full Load Amps	62/31	Breakdown Torque	262 LB-FT		
R.P.M.	1775	Pull-up Torque	118 LB-FT		
Hz	60	Phase	3	Locked-rotor Torque	142 LB-FT
NEMA Design Code	A	KVA Code	J	Starting Current	223 A
Service Factor (S.F.)	1	No-load Current	13.6 A		
NEMA Nom. Eff.	93.6	Power Factor	81	Line-line Res. @ 25°C	0.2345 Ω
Rating - Duty	40C AMB-CONT		Temp. Rise @ Rated Load	51°C	
			Locked-rotor Power Factor	30.6	

Load Characteristics 460 V, 60 Hz, 25 HP

% of Rated Load	25	50	75	100	125	150
Power Factor	43	65	76	81	84	85
Efficiency	88.3	92.8	93.9	94	93.7	93.1
Speed	1794.1	1789.3	1783.5	1777.8	1770.8	1763.8
Line amperes	15.3	19.3	24.6	30.6	37.2	44.5

Performance Graph at 460V, 60Hz, 25.0HP Typical performance - Not guaranteed values



AC Induction Motor Performance Data

Record # 74484

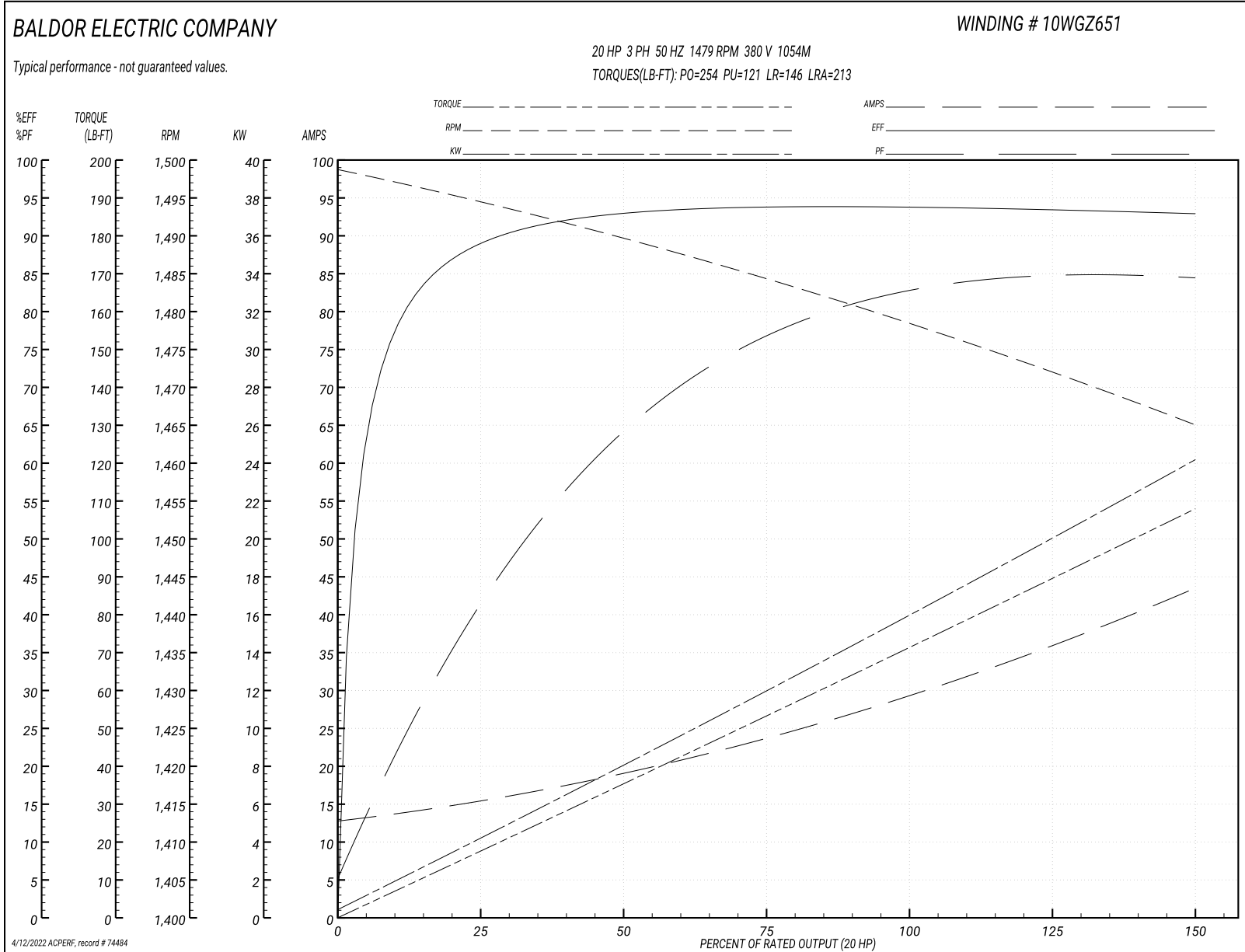
Typical performance - not guaranteed values

Winding: 10WGZ651-R024		Type: 1054M	Enclosure: XPFC	
Nameplate Data			380 V, 50 Hz: High Voltage Connection	
Rated Output (HP)	25//20	Full Load Torque	71.24 LB-FT	
Volts	230/460//190/380	Start Configuration	direct on line	
Full Load Amps	62/31//60/30	Breakdown Torque	254 LB-FT	
R.P.M.	1775//1475	Pull-up Torque	121 LB-FT	
Hz	60//50 Phase	Locked-rotor Torque	146 LB-FT	
NEMA Design Code	A KVA Code	Starting Current	213 A	
Service Factor (S.F.)	1	No-load Current	13.24 A	
NEMA Nom. Eff.	93.6 Power Factor	Line-line Res. @ 25°C	0.231 Ω	
Rating - Duty	40C AMB-CONT	Temp. Rise @ Rated Load	48°C	
S.F. Amps		Temp. Rise @ S.F. Load	58°C	
		Locked-rotor Power Factor	33.9	
		Rotor inertia	4.31 LB-FT ²	

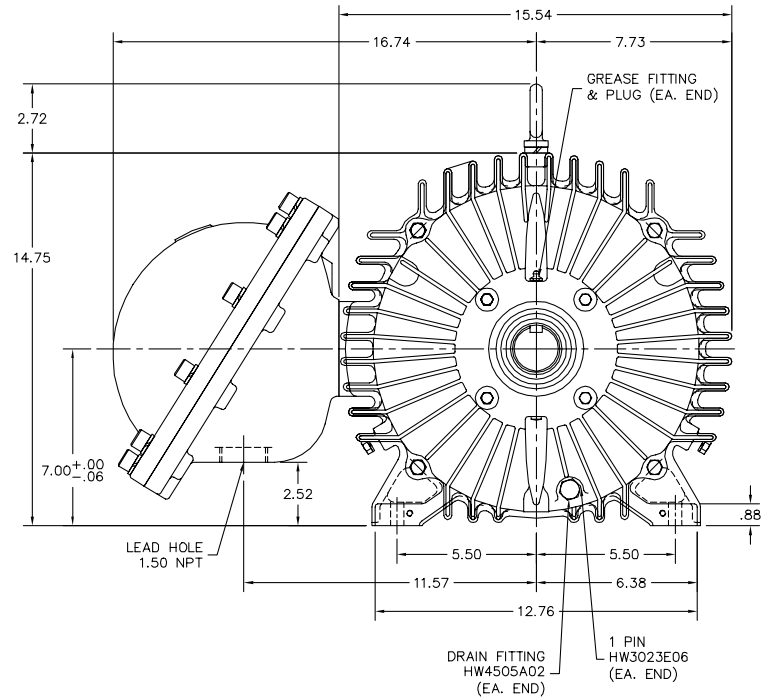
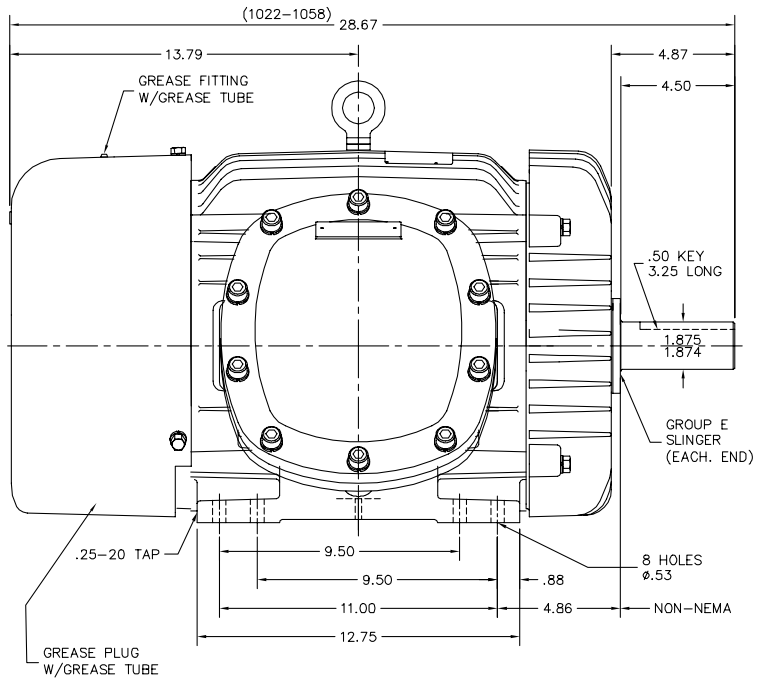
Load Characteristics 380 V, 50 Hz, 20 HP

% of Rated Load	25	50	75	100	125	150
Power Factor	43	66	76	82	84	85
Efficiency	88.8	93	93.8	93.8	93.3	92.9
Speed	1494	1490	1484	1479	1472	1465
Line amperes	14.85	18.69	23.83	29.65	36.06	43.17

Performance Graph at 380V, 50Hz, 20.0HP Typical performance - Not guaranteed values



10LY-000-185



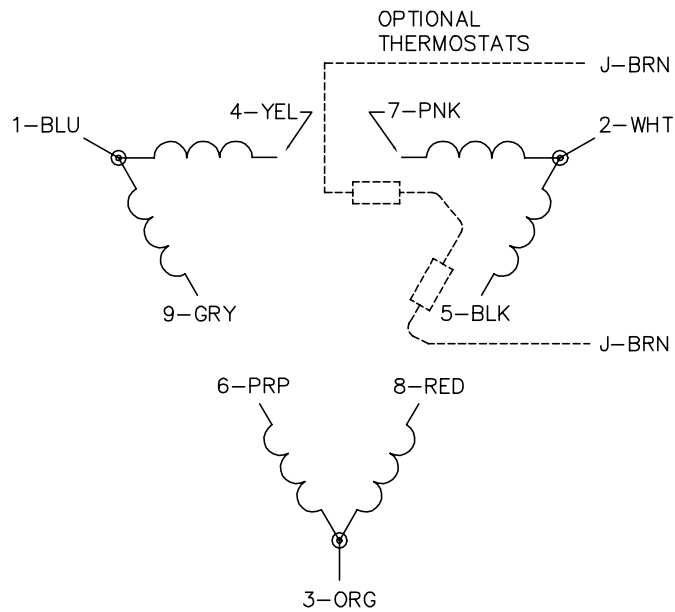
10LY-000-185

CUSTOMER IS RESPONSIBLE FOR DETERMINING THAT BALDOR'S PRODUCT WILL PERFORM SUITABLY IN THE INTENDED APPLICATION.

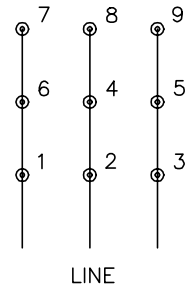
REV. DESC: NEW	VERSION: 00	TDR: 00000109B243
REV. LTR: -	REVISED: 01:16:59 02/18/2019	BY: CKYUKPO
FILE: \AAA\00247\238		
MTL: -		

BALDOR - RELIANCE[®]
 HORZ XPFC 284-6T CL.I GP.C&D CL.II GP.E,F&G CP FEAT
 SH 1 of 1

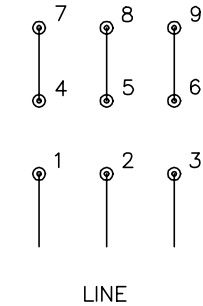
CD0180



LOW VOLTAGE
(2D)



HIGH VOLTAGE
(1D)



NOTES:

1. INTERCHANGE ANY TWO LINE LEADS TO REVERSE ROTATION.
2. OPTIONAL THERMOSTATS ARE PROVIDED WHEN SPECIFIED.
3. ACTUAL NUMBER OF INTERNAL PARALLEL CIRCUITS MAY BE A MULTIPLE OF THOSE SHOWN ABOVE.
4. LEAD COLORS ARE OPTIONAL. LEADS MUST ALWAYS BE NUMBERED AS SHOWN.

CD0180

REV. DESC: ADD CLASS CONN00000007		
REV. LTR: D	VERSION: 01	TDR: 000001099922
FILE: \AAA\00005\148	REVISED: 10:25:29 02/19/2019	BY: ENBRIRO
MTL: -	© □	

BALDOR - RELIANCE®

3PH, DV, 9 LEADS, DELTA CONNECTION

SH 1 of 1

Marketing maintained PDF of MN416:

<http://www.baldor.com/support/Literature/Load.ashx/MN416?ManNumber=MN416>