

**BALDOR® • RELIANCE** 

**Product Information Packet**

**CPX28266T**

**20HP, 1180//980RPM, 3PH, 60HZ, 286TY, XPFC, F1**

Part Detail							
Revision:	C	Status:	PRD/A	Change #:		Proprietary:	No
Type:	AC	Elec. Spec:	10WGZ033	CD Diagram:	CD0180	Mfg Plant:	
Mech. Spec:		Layout:	10LY-000-121	Poles:	06	Created Date:	04-25-2019
Base:		Eff. Date:	06-29-2021	Leads:	9#10		

Specs			
Catalog Number:	CPX28266T	Duty Rating:	CONT
Enclosure:	XPFC	Electrically Isolated Bearing:	Not Electrically Isolated
Frame:	286TY	Enclosure Modification:	Severe Duty Features
Frame Material:	Iron	Feedback Device:	NO FEEDBACK
Output @ Frequency:	20.000 HP @ 60 HZ	Heater Indicator:	No Heater
	15.000 HP @ 50 HZ	Insulation Class:	F
Synchronous Speed @ Frequency:	1200 RPM @ 60 HZ	Inverter Code:	Inverter Duty
Voltage @ Frequency:	190.0 V @ 50 HZ	IP Rating:	IP55
	230.0 V @ 60 HZ	KVA Code:	G
	380.0 V @ 50 HZ	Lifting Lugs:	Standard Lifting Lugs
	460.0 V @ 60 HZ	Locked Bearing Indicator:	Locked Bearing
XP Class and Group:	CLI GP C,D; CLII GP E,F,G	Motor Lead Termination:	Flying Leads
XP Division:	Division I	Motor Type:	1056M
Agency Approvals:	UR	Mounting Arrangement:	F1
	CSA EEV	Power Factor:	78
	CSA	Product Family:	Chemical Process Features
Auxillary Box:	No Auxillary Box	Pulley Face Code:	Standard
Auxillary Box Lead Termination:	None	Rodent Screen:	None

<b>Base Indicator:</b>	Rigid	<b>RoHS Status:</b>	ROHS NON-COMPLIANT
<b>Bearing Grease Type:</b>	Polyrex EM (-20F +300F)	<b>Shaft Ground Indicator:</b>	No Shaft Grounding
<b>Blower:</b>	None	<b>Shaft Rotation:</b>	Reversible
<b>Constant Torque Speed Range:</b>	6	<b>Speed Code:</b>	Single Speed
<b>Current @ Voltage:</b>	54.000 A @ 208.0 V	<b>Motor Standards:</b>	NEMA
	50.000 A @ 230.0 V	<b>Starting Method:</b>	Direct on line
	46.000 A @ 190.0 V	<b>Thermal Device - Bearing:</b>	None
	25.000 A @ 460.0 V	<b>Thermal Device - Winding:</b>	Normally Closed Thermostat
	23.000 A @ 380.0 V	<b>Vibration Sensor Indicator:</b>	No Vibration Sensor
<b>Design Code:</b>	B	<b>Winding Thermal 1:</b>	None
<b>Drip Cover:</b>	No Drip Cover	<b>Winding Thermal 2:</b>	None
		<b>XP Temp Code:</b>	T3C

Nameplate NP2033XPSLEV											
NO.					CC	010A					
S/N					TEMP CODE	T3C					
SPEC.	10-0000-0753				INV.TYPE	PWM					
CAT.NO.	CPX28266T				C HP FR	60		C HP TO	90		
HP	20//15				CT HZ FROM	6		CT HZ TO	60		
VOLTS	230/460//190/380				VT HZ FROM	6		VT HZ TO	60		
AMPS	50/25//46/23				MAG CUR	21.4/10.7					
RPM	1180//980				MX RPM	1800					
HZ	60//50		PH	3		CL	F				
SER.F.	1.00		DES	B		SL HZ	1		NOM.EFF.	91.7	
FRAME	286TY		RATING	40C AMB-CONT				WK2	6.86		
BLANK	55C AMB @ 1.00 SF, 60C RISE										
	1.15SF ON SINEWAVE				NEMA MG-1 PT.5,IP55						

Parts List		
Part Number	Description	Quantity
SA368865	SA 10-0000-0753	1.000 EA
RA358396	RA 10-0000-0753	1.000 EA
LB1115N	LABEL,LIFTING DEVICE (ON ROLLS)	1.000 EA
LB1119N	WARNING LABEL	1.000 EA
LC0181	CONNECTION LABEL	1.000 EA
LB1417	LABEL CARTON 6X4 PERFORATED BLANK ROLLS	1.000 EA
NP2033XPSLEV	SS XP INV UL CSA-EEV CC CL-I GP-C&D	1.000 EA
85XU0407S04	4X1/4 U DRIVE PIN STAINLESS	2.000 EA
85XU0407S04	4X1/4 U DRIVE PIN STAINLESS	4.000 EA
MN416A01	TAG-INSTAL-MAINT no wire (2100/bx) 4/22	1.000 EA
LB1081C	ALUM XP CAUTION LABEL (COL PLANT ONLY-	1.000 EA
10FH1008A05P	310 FAN HOUSING X-PROOF MACH. W/EPOXY PR	1.000 EA
HW1001A31	LOCKWASHER 5/16, ZINC PLT.591 OD, .319 I	3.000 EA
10XN3118K12	5/16-18 X .75 GRADE 5, ZINC PLATED	3.000 EA
37FN3002B03	EXFN, PLASTIC, 7.50 OD, 1.690 ID	1.000 EA
HW2500A25	WOODRUFF KEY USA #1008 #BLOW CARBON STEE	1.000 EA
51XB1214A20	12-14X1.25 HXWSSLD SERTYB	1.000 EA
MJ1000A02	GREASE, MOBIL POLYREX EM - 124047	0.130 LB
10EP1701A64PP15	FR ENDPLATE, MACH W/PRIMER & MG1025G29	1.000 EA
HA3050A03	3/8-16 X 2.25" GRADE 8 BOLT	4.000 EA
HA2009A33	SLINGER, FOR GROUP E MOTORS - 311 BRG.	1.000 EA
HW1001A38	LOCKWASHER 3/8, ZINC PLT .688 OD, .382 I	4.000 EA
HA2009A53	SLINGER FOR GROUP E MTRS - 309 BRG.	1.000 EA
80XN0632A10	SET SCREW,#6-32 X .62 LG.HEX SOC. HD.	2.000 EA

Parts List (continued)		
Part Number	Description	Quantity
HW5100A11	W3917-042 WVY WSHR (WB)	1.000 EA
HA4017A06	/125 X 3.00 GREASER EXT. (F/S)	1.000 EA
HA4017A03	.125 X 1.75 GREASE EXT (F/S)	1.000 EA
HW4019A01	PIPE COUPLING 1/8 NPT,STEEL,ZINC COATING	1.000 EA
HA4051A00	PLASTIC CAP FOR GREASE FITTING	1.000 EA
HW4500A21	1618BALEMITE FITTING 825 UNIVERSAL	1.000 EA
HW4500A20	1/8NPT SL PIPE PLUG	1.000 EA
HW4505A02	BREATHER/DRAIN-EXP PROOF-.250-18 PTF AIS	1.000 EA
HW3023E06	.125 X .625 SPIRAL SPRING PIN	1.000 EA
10EP1709A13P	PUEP, EX.PRF - GROUP E MTR W/DRAIN & EPO	1.000 EA
HW1001A38	LOCKWASHER 3/8, ZINC PLT .688 OD, .382 I	4.000 EA
HA3050A03	3/8-16 X 2.25" GRADE 8 BOLT	4.000 EA
80XN0632A10	SET SCREW,#6-32 X .62 LG.HEX SOC. HD.	2.000 EA
10XN2520K40	1/4-20 X 2-1/2 HEX HD CAPSCREW,GRADE 5,Z	4.000 EA
HA4051A00	PLASTIC CAP FOR GREASE FITTING	1.000 EA
HW4500A03	GREASE FITTING, .125 NPT 1610(ALEMITE) 8	1.000 EA
HW4500A20	1/8NPT SL PIPE PLUG	1.000 EA
HW4505A02	BREATHER/DRAIN-EXP PROOF-.250-18 PTF AIS	1.000 EA
HW3023E06	.125 X .625 SPIRAL SPRING PIN	1.000 EA
12CB1003A02P	KOBX, MACH 1.50 NPT GROUP C MTRS ,EPOXY	1.000 EA
10XN3118K24	5/16-18 X 1.50" HEX HD, GRADE 5	4.000 EA
HW1001A31	LOCKWASHER 5/16, ZINC PLT.591 OD, .319 I	4.000 EA
WD1000B19	TERMINAL BURNDY L250HP	1.000 EA
10XN3816K12	3/8-16 X 3/4 HEX HD CAP GRADE 5	1.000 EA

Product Information Packet: CPX28266T - 20HP,1180//980RPM,3PH,60HZ,286TY,XPFC,F1

HW1001A38	LOCKWASHER 3/8, ZINC PLT .688 OD, .382 I	1.000 EA
12CB1502A01P	CONDUIT BOX LID MACH. GROUP C MTRS	1.000 EA
84XN5013J32	SOCKET HD.CAP SCR,1/2-13 X 2"LG,ALLOY ST	10.000 EA
HW1001A50	LOCKWASHER 1/2, ZINC PLT, .879 OD, .509 I	10.000 EA
MG1025G29	WILKOFAS, 789.229, DARK CHARCOAL GRAY	0.125 GA
14PA1000	PACKAGING 314 GROUP COMBINED PRINT	1.000 EA
HW2501H28	KEY, 1/2 SQ X 3.250	1.000 EA
MJ5001A27	32220KN GRAY SEALER *MIN BUY 4 QTS=1GAL	0.001 QT

**AC Induction Motor Performance Data**

Record # 75701

Typical performance - not guaranteed values

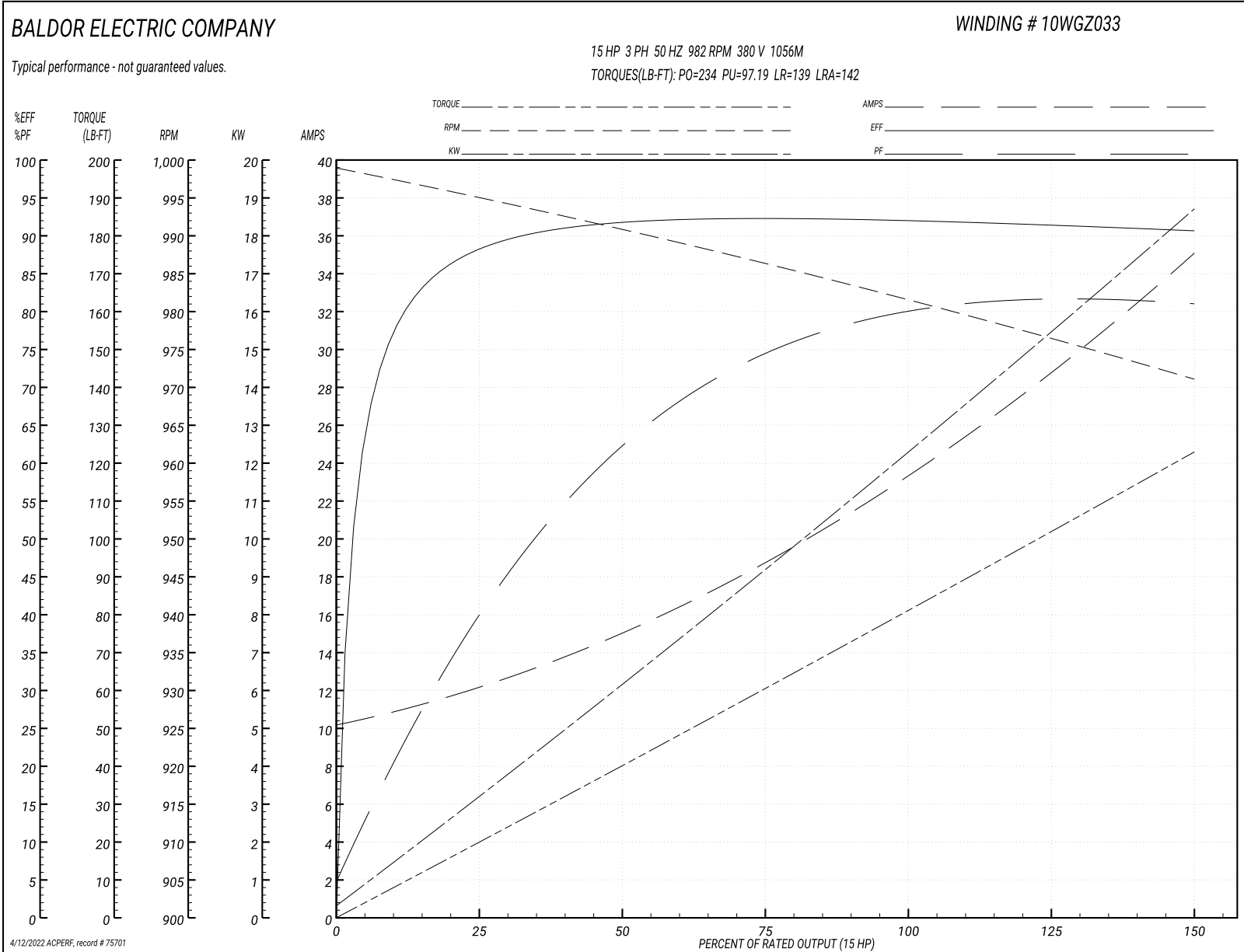
<b>Winding: 10WGZ033-R002</b>		<b>Type: 1056M</b>		<b>Enclosure: XPFC</b>	
<b>Nameplate Data</b>			<b>380 V, 50 Hz: High Voltage Connection</b>		
<b>Rated Output (HP)</b>	20//15		<b>Full Load Torque</b>	80.4 LB-FT	
<b>Volts</b>	230/460//190/380		<b>Start Configuration</b>	direct on line	
<b>Full Load Amps</b>	50/25//46/23		<b>Breakdown Torque</b>	234 LB-FT	
<b>R.P.M.</b>	1180//980		<b>Pull-up Torque</b>	97.19 LB-FT	
<b>Hz</b>	60//50	<b>Phase</b>	3	<b>Locked-rotor Torque</b>	139 LB-FT
<b>NEMA Design Code</b>	B	<b>KVA Code</b>	G	<b>Starting Current</b>	142 A
<b>Service Factor (S.F.)</b>	1		<b>No-load Current</b>	10.54 A	
<b>NEMA Nom. Eff.</b>	91.7	<b>Power Factor</b>	78	<b>Line-line Res. @ 25°C</b>	0.501 Ω
<b>Rating - Duty</b>	40C AMB-CONT		<b>Temp. Rise @ Rated Load</b>	45°C	
<b>S.F. Amps</b>			<b>Temp. Rise @ S.F. Load</b>	56°C	
			<b>Locked-rotor Power Factor</b>	33.7	
			<b>Rotor inertia</b>	6.86 LB-FT <sup>2</sup>	

**Load Characteristics 380 V, 50 Hz, 15 HP**

<b>% of Rated Load</b>	<b>25</b>	<b>50</b>	<b>75</b>	<b>100</b>	<b>125</b>	<b>150</b>
<b>Power Factor</b>	41	63	74	79	81	82
<b>Efficiency</b>	87.9	91.8	92.6	92.3	90.8	90.9
<b>Speed</b>	995	991	986	982	977	971
<b>Line amperes</b>	11.71	14.83	18.7	23.4	28.65	34.75



Performance Graph at 380V, 50Hz, 15.0HP Typical performance - Not guaranteed values



**AC Induction Motor Performance Data**

Record # 75702

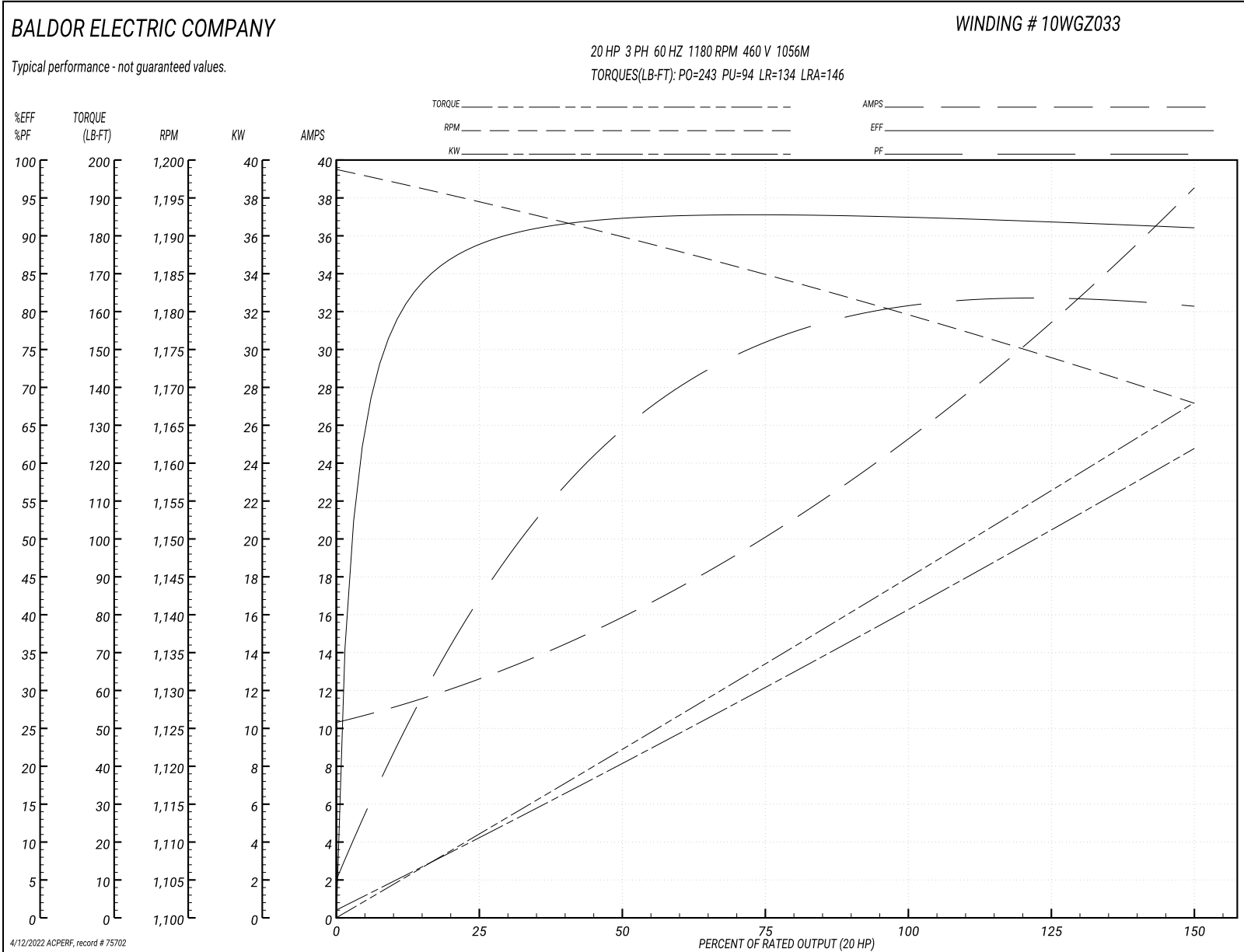
Typical performance - not guaranteed values

Winding: 10WGZ033-R002		Type: 1056M	Enclosure: XPFC	
<b>Nameplate Data</b>			<b>460 V, 60 Hz: High Voltage Connection</b>	
Rated Output (HP)	20//15		Full Load Torque	89.2 LB-FT
Volts	230/460//190/380		Start Configuration	direct on line
Full Load Amps	50/25//46/23		Breakdown Torque	243 LB-FT
R.P.M.	1180//980		Pull-up Torque	94 LB-FT
Hz	60//50 Phase	3	Locked-rotor Torque	134 LB-FT
NEMA Design Code	B KVA Code	G	Starting Current	146 A
Service Factor (S.F.)	1		No-load Current	10.7 A
NEMA Nom. Eff.	91.7 Power Factor	78	Line-line Res. @ 25°C	0.501 Ω
Rating - Duty	40C AMB-CONT		Temp. Rise @ Rated Load	51°C
S.F. Amps			Temp. Rise @ S.F. Load	63°C
			Locked-rotor Power Factor	30.3
			Rotor inertia	6.86 LB-FT <sup>2</sup>

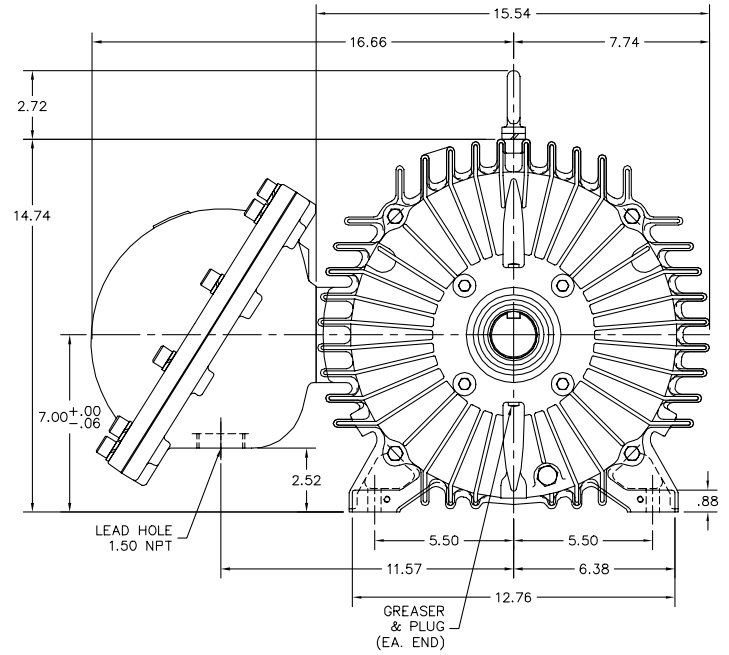
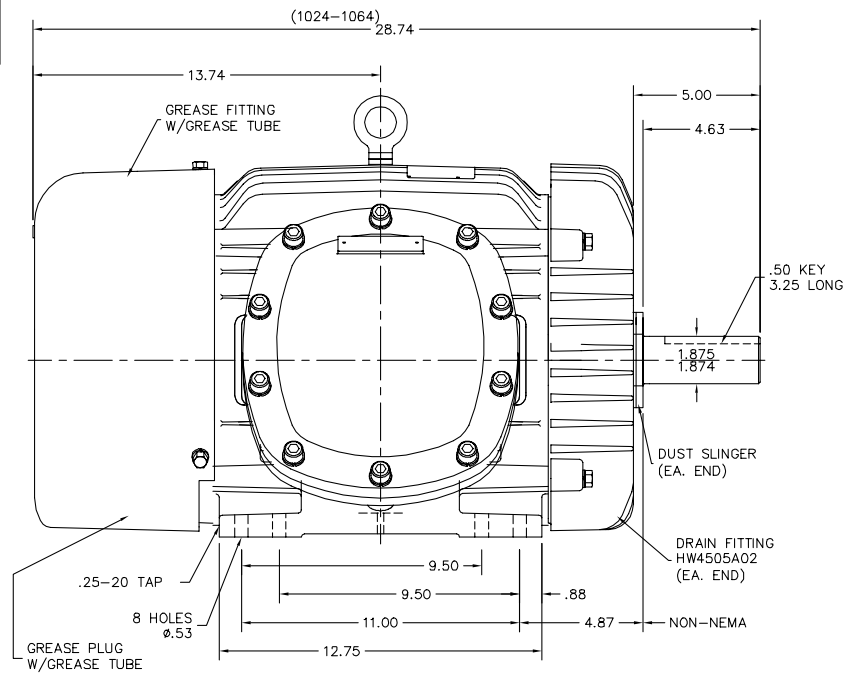
**Load Characteristics 460 V, 60 Hz, 20 HP**

% of Rated Load	25	50	75	100	125	150
Power Factor	44	66	76	80	81	81
Efficiency	88.4	92.2	93.1	92.7	91.3	91.2
Speed	1194	1190	1185	1180	1174	1168
Line amperes	12.1	15.7	20.1	25.4	31.3	38.2

Performance Graph at 460V, 60Hz, 20.0HP Typical performance - Not guaranteed values



10LY-000-121



10LY-000-121

CUSTOMER IS RESPONSIBLE FOR DETERMINING THAT BALDOR'S PRODUCT WILL PERFORM SUITABLY IN THE INTENDED APPLICATION.

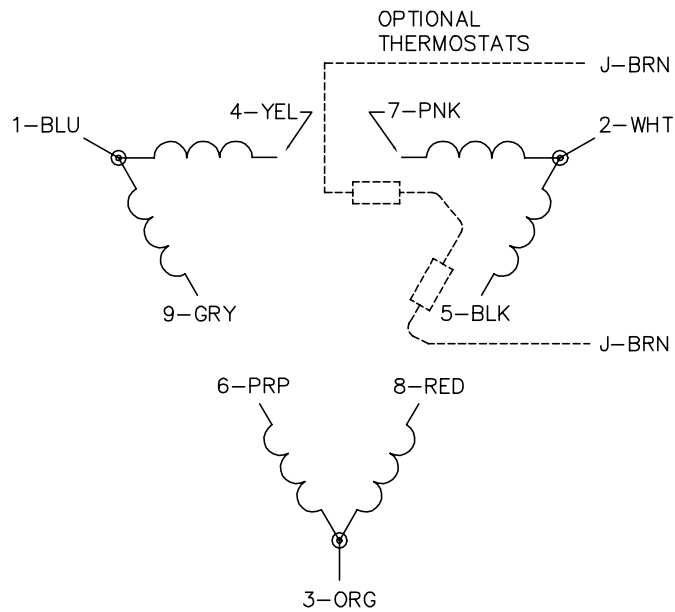
REV. DESC: NEW	VERSION: 00	TDR: 000001087584
REV. LTR: -	REVISED: 04:53:54 11/25/2018	BY: ENSHABO
FILE: \AAA\00246\198		
MTL: -		

**BALDOR - RELIANCE**<sup>®</sup>

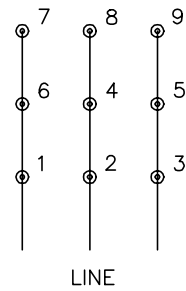
HORZ XPFC 284-6TY CL.I GP.C&D, CL.II GP.E,F&G & CP FEAT'S

SH 1 of 1

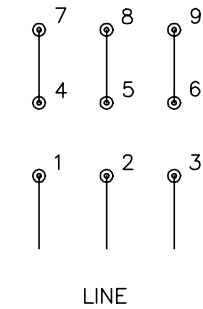
CD0180



LOW VOLTAGE  
(2D)



HIGH VOLTAGE  
(1D)



NOTES:

1. INTERCHANGE ANY TWO LINE LEADS TO REVERSE ROTATION.
2. OPTIONAL THERMOSTATS ARE PROVIDED WHEN SPECIFIED.
3. ACTUAL NUMBER OF INTERNAL PARALLEL CIRCUITS MAY BE A MULTIPLE OF THOSE SHOWN ABOVE.
4. LEAD COLORS ARE OPTIONAL. LEADS MUST ALWAYS BE NUMBERED AS SHOWN.

CD0180

REV. DESC: ADD CLASS CONN00000007		
REV. LTR: D	VERSION: 01	TDR: 000001099922
FILE: \AAA\00005\148	REVISED: 10:25:29 02/19/2019	BY: ENBRIRO
MTL: -	© □	

**BALDOR - RELIANCE®**

3PH, DV, 9 LEADS, DELTA CONNECTION

SH 1 of 1

Marketing maintained PDF of MN416:

<http://www.baldor.com/support/Literature/Load.ashx/MN416?ManNumber=MN416>