

**BALDOR® • RELIANCE** 

**Product Information Packet**

**CPX32446T**

**40HP,1775//1480RPM,3PH,60HZ,324TY,XPFC**

Part Detail							
Revision:	G	Status:	PRD/A	Change #:		Proprietary:	No
Type:	AC	Elec. Spec:	12WGY276	CD Diagram:	CD0180	Mfg Plant:	
Mech. Spec:		Layout:	12LY-000-157	Poles:	04	Created Date:	02-19-2019
Base:		Eff. Date:	08-17-2021	Leads:	9#8		

Specs			
Catalog Number:	CPX32446T	Electrically Isolated Bearing:	Not Electrically Isolated
Enclosure:	XPFC	Enclosure Modification:	Severe Duty Features
Frame:	324TY	Feedback Device:	NO FEEDBACK
Frame Material:	Iron	Heater Indicator:	No Heater
Output @ Frequency:	30.000 HP @ 50 HZ	Insulation Class:	F
	40.000 HP @ 60 HZ	Inverter Code:	Not Inverter
Synchronous Speed @ Frequency:	1800 RPM @ 60 HZ	IP Rating:	IP55
Voltage @ Frequency:	230.0 V @ 60 HZ	KVA Code:	H
	380.0 V @ 50 HZ	Lifting Lugs:	Standard Lifting Lugs
	460.0 V @ 60 HZ	Locked Bearing Indicator:	Locked Bearing
	190.0 V @ 50 HZ	Motor Lead Termination:	Flying Leads
XP Class and Group:	CLI GP C,D; CLII GP E,F,G	Motor Type:	1254M
XP Division:	Division I	Mounting Arrangement:	F1
Agency Approvals:	UR	Power Factor:	82
	CSA EEV	Product Family:	Chemical Process Features
	CSA	Pulley Face Code:	Standard
Auxillary Box:	No Auxillary Box	Rodent Screen:	None
Auxillary Box Lead Termination:	None	RoHS Status:	ROHS NON-COMPLIANT

<b>Base Indicator:</b>	Rigid	<b>Shaft Ground Indicator:</b>	No Shaft Grounding
<b>Bearing Grease Type:</b>	Polyrex EM (-20F +300F)	<b>Shaft Rotation:</b>	Reversible
<b>Blower:</b>	None	<b>Speed Code:</b>	Single Speed
<b>Constant Torque Speed Range:</b>	6	<b>Motor Standards:</b>	NEMA
<b>Current @ Voltage:</b>	96.000 A @ 230.0 V	<b>Starting Method:</b>	Direct on line
	90.000 A @ 190.0 V	<b>Thermal Device - Bearing:</b>	None
	48.000 A @ 460.0 V	<b>Thermal Device - Winding:</b>	Normally Closed Thermostat
	45.000 A @ 380.0 V	<b>Vibration Sensor Indicator:</b>	No Vibration Sensor
<b>Design Code:</b>	A	<b>Winding Thermal 1:</b>	None
<b>Drip Cover:</b>	No Drip Cover	<b>Winding Thermal 2:</b>	None
<b>Duty Rating:</b>	CONT	<b>XP Temp Code:</b>	T3C

Nameplate NP2033XPSLEV											
NO.						CC	010A				
S/N						TEMP CODE	T3C				
SPEC.	12-0000-0488					INV. TYPE	PWM				
CAT.NO.	CPX32446T					C HP FR	60		C HP TO	90	
HP	40//30					CT HZ FROM	6		CT HZ TO	60	
VOLTS	230/460//190/380					VT HZ FROM	6		VT HZ TO	60	
AMPS	96/48//90/45					MAG CUR	40/20				
RPM	1775//1480					MX RPM	2700				
HZ	60//50		PH	3		CL	F		NOM.EFF.	94.1	
SER.F.	1.00		DES	A		SL HZ	0.83		WK2	7.19	
FRAME	324TY		RATING	40C AMB-CONT							
BLANK	55C AMB @ 1.0SF,60C RISE										
	1.15SF ON SINEWAVE					NEMA MG-1 PT.5,IP55					

Parts List		
Part Number	Description	Quantity
SA366415	SA 12-0000-0488	1.000 EA
RA355840	RA 12-0000-0488	1.000 EA
LB1115N	LABEL,LIFTING DEVICE (ON ROLLS)	1.000 EA
LB1119N	WARNING LABEL	1.000 EA
LC0181	CONNECTION LABEL	1.000 EA
NP2033XPSLEV	SS XP INV UL CSA-EEV CC CL-I GP-C&D	1.000 EA
85XU0407S04	4X1/4 U DRIVE PIN STAINLESS	2.000 EA
85XU0407S04	4X1/4 U DRIVE PIN STAINLESS	4.000 EA
MN416A01	TAG-INSTAL-MAINT no wire (2100/bx) 4/22	1.000 EA
LB1081C	ALUM XP CAUTION LABEL (COL PLANT ONLY-	1.000 EA
10XN3816E08	3/8-16 X .50 HEX HD SCREW BRONZE	1.000 EA
HW1001B38	WASHER, 3/8 SPLT LK, CS, .678OD X .382ID	1.000 EA
12FH1001A07P	FAN COVER, MACH W/EPOXY PRIMER & SLOT FO	1.000 EA
HW1001A31	LOCKWASHER 5/16, ZINC PLT.591 OD, .319 I	3.000 EA
10XN3118K12	5/16-18 X .75 GRADE 5, ZINC PLATED	3.000 EA
09FN3001B03SP	EXTERNAL FAN, PLASTIC (COMES W/SCREW FRO	1.000 EA
HW2500A25	WOODRUFF KEY USA #1008 #BLOW CARBON STEE	1.000 EA
MJ1000A02	GREASE, MOBIL POLYREX EM - 124047	0.200 LB
12EP1705A23PP15	ENDPLATE, MACH.312-EXPL.PROOF 311 BRG.-G	1.000 EA
HA3051A03	1/2-13X2.75 BLT GR8 1.75 TO E NC F/S	4.000 EA
HW1001A50	LOCKWASHER 1/2, ZINC PLT.,.879 OD, .509 I	4.000 EA
HA2009A50	SLINGER FOR GROUP E MTRS - 311 BRG.	1.000 EA
80XN0632A10	SET SCREW,#6-32 X .62 LG.HEX SOC. HD.	2.000 EA
HW5100A13	W4627-047 WVY WSHER	1.000 EA

Parts List (continued)		
Part Number	Description	Quantity
HA4017A03	.125 X 1.75 GREASE EXT (F/S)	1.000 EA
HA4017A08	.125X3.50 GREASER EXTEN.	1.000 EA
HW4019A01	PIPE COUPLING 1/8 NPT,STEEL,ZINC COATING	1.000 EA
HA4051A00	PLASTIC CAP FOR GREASE FITTING	1.000 EA
HW4500A21	1618BALEMITE FITTING 825 UNIVERSAL	1.000 EA
HW4500A20	1/8NPT SL PIPE PLUG	1.000 EA
HW4505A02	BREATHER/DRAIN-EXP PROOF-.250-18 PTF AIS	1.000 EA
HW3023E06	.125 X .625 SPIRAL SPRING PIN	1.000 EA
12EP1706A09P	EP, MACH. XPFC 312 BRG.	1.000 EA
HW1001A50	LOCKWASHER 1/2, ZINC PLT.,.879 OD, .509 I	4.000 EA
HA3051A03	1/2-13X2.75 BLT GR8 1.75 TO E NC F/S	4.000 EA
HA2009A49	SLINGER FOR GROUP E MTRS - 312 BRG.	1.000 EA
80XN0632A10	SET SCREW,#6-32 X .62 LG.HEX SOC. HD.	2.000 EA
10XN3118K40	5/16-18 X 2.75" HEX HD, GRADE 5	4.000 EA
HW1001A31	LOCKWASHER 5/16, ZINC PLT.591 OD, .319 I	4.000 EA
HA4051A00	PLASTIC CAP FOR GREASE FITTING	1.000 EA
HW4500A03	GREASE FITTING, .125 NPT 1610(ALEMITE) 8	1.000 EA
HW4500A20	1/8NPT SL PIPE PLUG	1.000 EA
HW4505A02	BREATHER/DRAIN-EXP PROOF-.250-18 PTF AIS	1.000 EA
HW3023E06	.125 X .625 SPIRAL SPRING PIN	1.000 EA
12CB1003A01P	KOBX,MACH 2.00 NPT GROUP C MTRS,EPOXY PR	1.000 EA
10XN3118K24	5/16-18 X 1.50" HEX HD, GRADE 5	4.000 EA
WD1000B19	TERMINAL BURNDY L250HP	1.000 EA
10XN3816K12	3/8-16 X 3/4 HEX HD CAP GRADE 5	1.000 EA

Product Information Packet: CPX32446T - 40HP,1775//1480RPM,3PH,60HZ,324TY,XPFC

HW1001A38	LOCKWASHER 3/8, ZINC PLT .688 OD, .382 I	1.000 EA
12CB1502A01P	CONDUIT BOX LID MACH. GROUP C MTRS	1.000 EA
84XN5013J32	SOCKET HD.CAP SCR,1/2-13 X 2"LG,ALLOY ST	10.000 EA
HW1001A50	LOCKWASHER 1/2, ZINC PLT, .879 OD, .509 I	10.000 EA
MG1025G29	WILKOFAS, 789.229, DARK CHARCOAL GRAY	0.125 GA
14PA1000	PACKAGING 314 GROUP COMBINED PRINT	1.000 EA
HW2501H34	KEY, 1/2 SQ X 4.00	1.000 EA
MJ5001A27	32220KN GRAY SEALER *MIN BUY 4 QTS=1GAL	0.001 QT

**AC Induction Motor Performance Data**

Record # 43813

Typical performance - not guaranteed values

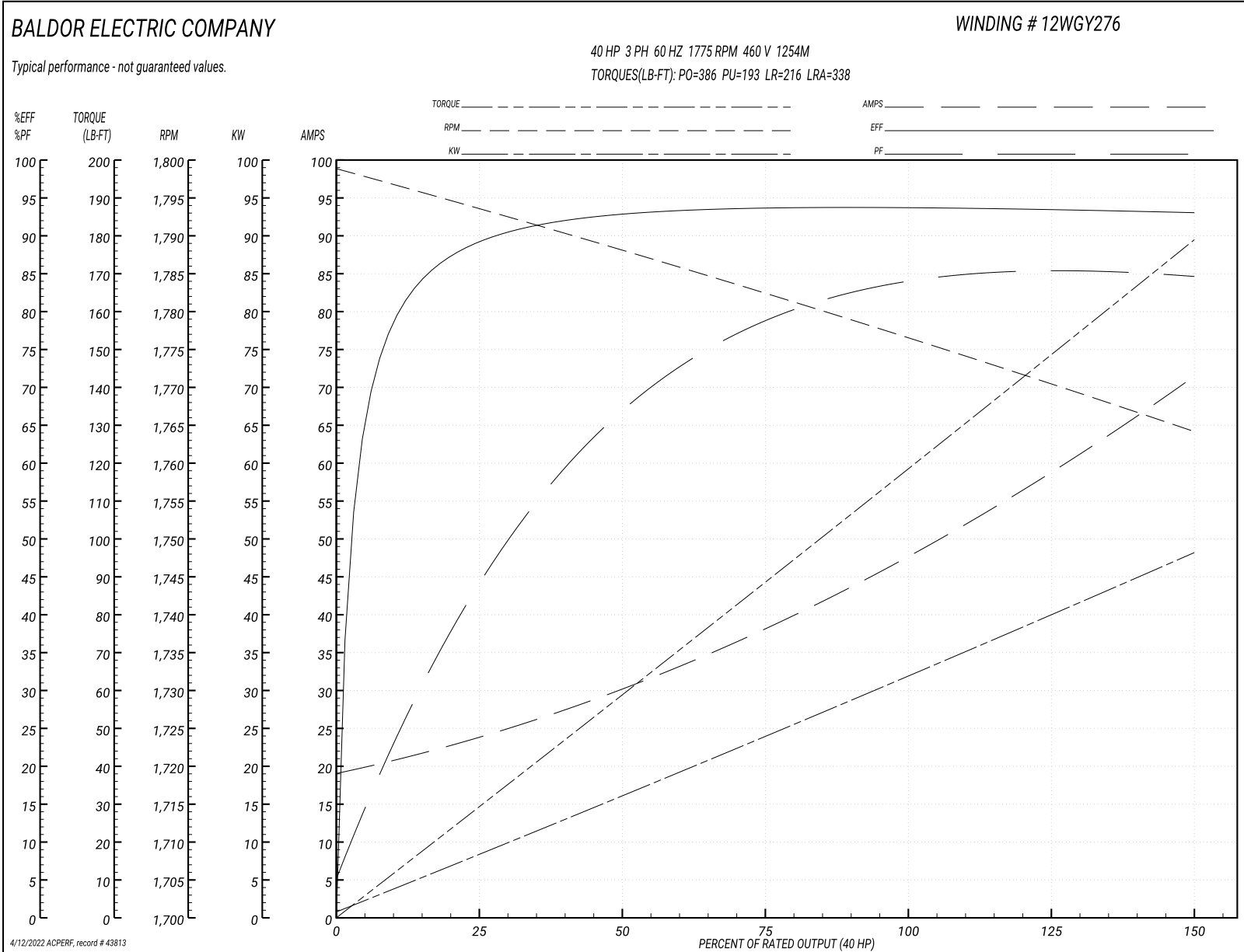
<b>Winding: 12WGY276-R023</b>		<b>Type: 1254M</b>		<b>Enclosure: XPFC</b>	
<b>Nameplate Data</b>			<b>460 V, 60 Hz: High Voltage Connection</b>		
<b>Rated Output (HP)</b>	40	<b>Full Load Torque</b>	118 LB-FT		
<b>Volts</b>	230/460	<b>Start Configuration</b>	direct on line		
<b>Full Load Amps</b>	96/48	<b>Breakdown Torque</b>	386 LB-FT		
<b>R.P.M.</b>	1775	<b>Pull-up Torque</b>	193 LB-FT		
<b>Hz</b>	60 Phase	<b>Locked-rotor Torque</b>	216 LB-FT		
<b>NEMA Design Code</b>	A	<b>Starting Current</b>	338 A		
<b>Service Factor (S.F.)</b>		<b>No-load Current</b>	19.9 A		
<b>NEMA Nom. Eff.</b>	94.1	<b>Line-line Res. @ 25°C</b>	0.14898 Ω		
<b>Rating - Duty</b>	40C AMB-CONT	<b>Temp. Rise @ Rated Load</b>	54°C		
		<b>Locked-rotor Power Factor</b>	27		
		<b>Rotor inertia</b>	7.19 LB-FT <sup>2</sup>		

**Load Characteristics 460 V, 60 Hz, 40 HP**

<b>% of Rated Load</b>	<b>25</b>	<b>50</b>	<b>75</b>	<b>100</b>	<b>125</b>	<b>150</b>
<b>Power Factor</b>	47	69	78	83	85	85
<b>Efficiency</b>	90.1	93.5	94.2	94.2	93.8	93.1
<b>Speed</b>	1793.5	1788	1782.5	1776.6	1770.7	1764.1
<b>Line amperes</b>	22.9	29.5	38.4	48.1	59.2	70.8



Performance Graph at 460V, 60Hz, 40.0HP Typical performance - Not guaranteed values



**AC Induction Motor Performance Data**

Record # 74483

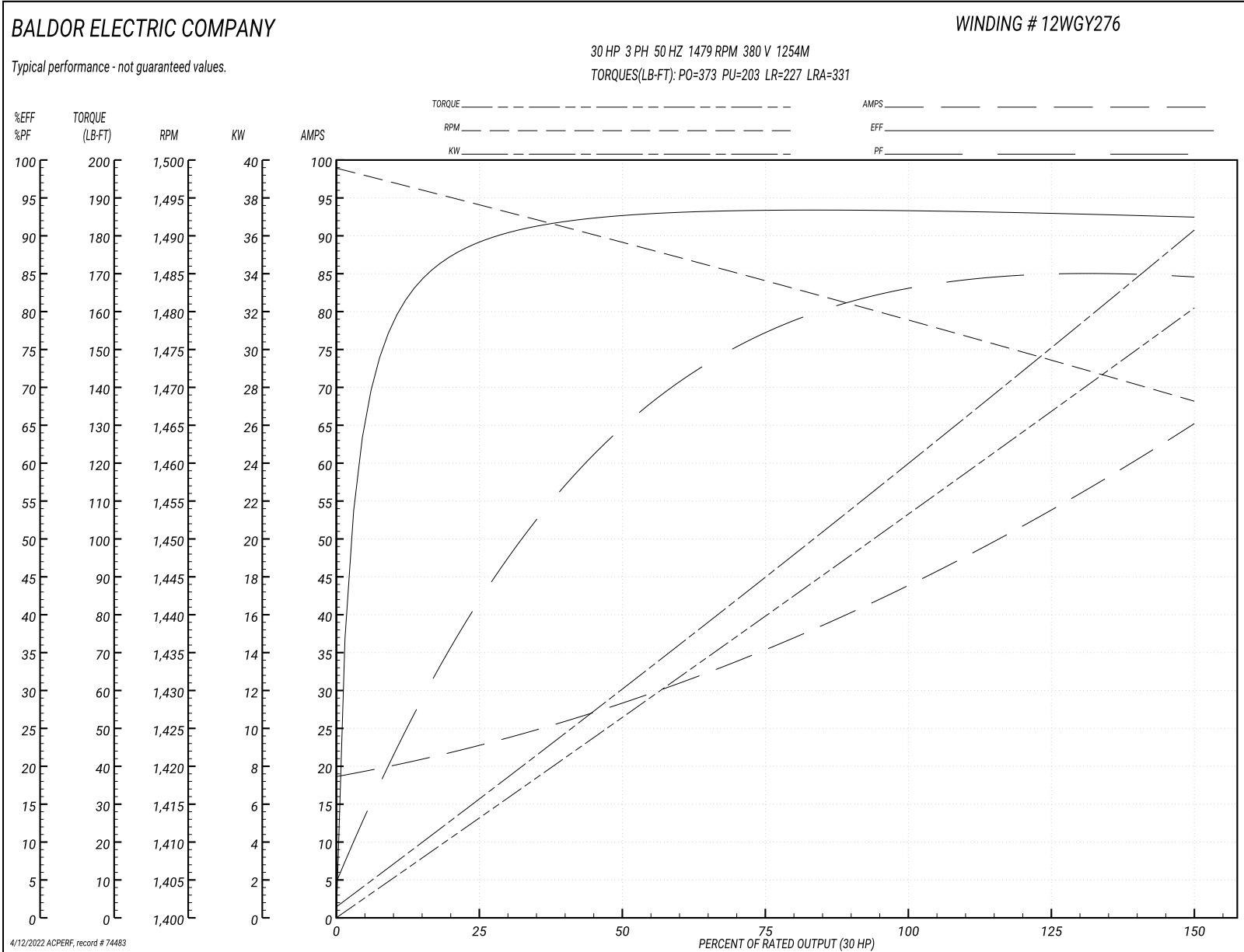
Typical performance - not guaranteed values

Winding: 12WGY276-R040		Type: 1254M		Enclosure: XPFC	
<b>Nameplate Data</b>			<b>380 V, 50 Hz: High Voltage Connection</b>		
Rated Output (HP)	40//30		Full Load Torque	106 LB-FT	
Volts	230/460//190/380		Start Configuration	direct on line	
Full Load Amps	96/48//90/45		Breakdown Torque	373 LB-FT	
R.P.M.	1775//1480		Pull-up Torque	203 LB-FT	
Hz	60//50	Phase	3	Locked-rotor Torque	227 LB-FT
NEMA Design Code	A	KVA Code	H	Starting Current	331 A
Service Factor (S.F.)	1		No-load Current	19.39 A	
NEMA Nom. Eff.	94.1	Power Factor	82	Line-line Res. @ 25°C	0.145 Ω
Rating - Duty	40C AMB-CONT		Temp. Rise @ Rated Load	47°C	
S.F. Amps			Temp. Rise @ S.F. Load	57°C	
			Locked-rotor Power Factor	30.4	
			Rotor inertia	7.19 LB-FT <sup>2</sup>	

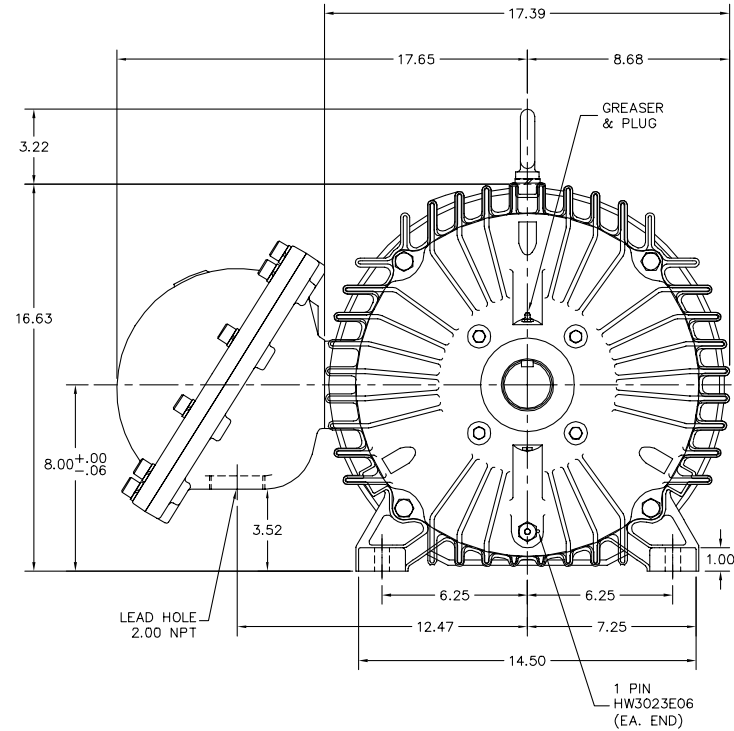
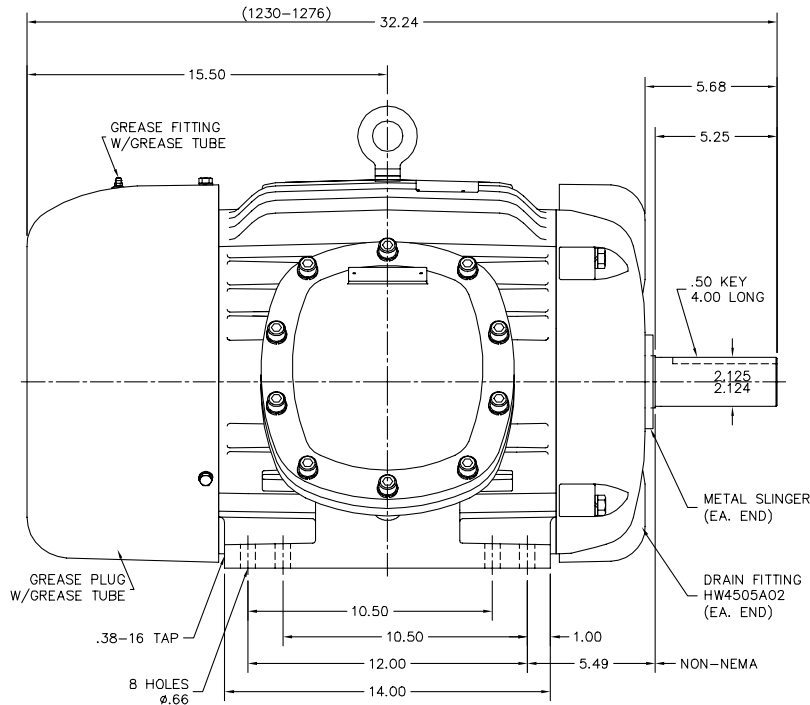
**Load Characteristics 380 V, 50 Hz, 30 HP**

% of Rated Load	25	50	75	100	125	150
Power Factor	44	66	77	82	84	85
Efficiency	88.7	92.8	93.7	93.1	92.8	92.5
Speed	1494	1489	1484	1479	1474	1468
Line amperes	21.96	27.73	35.61	44.25	54.18	64.6

Performance Graph at 380V, 50Hz, 30.0HP Typical performance - Not guaranteed values



12LY-000-157



12LY-000-157

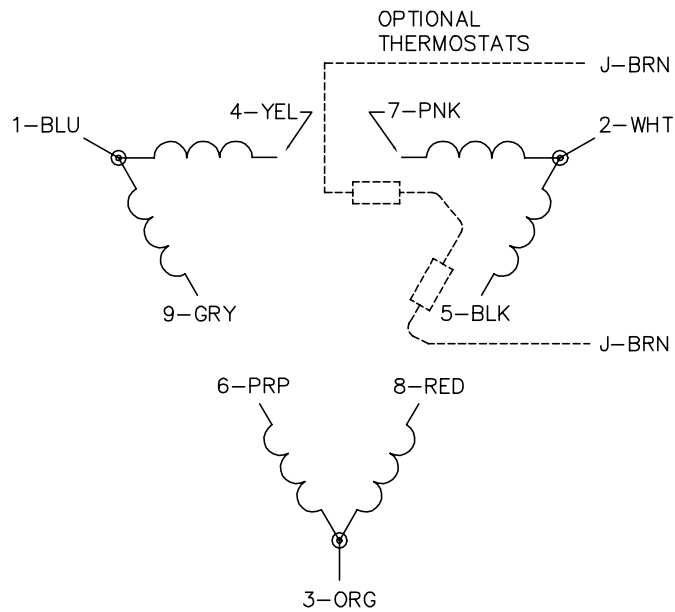
CUSTOMER IS RESPONSIBLE FOR DETERMINING THAT THE PRODUCT WILL PERFORM SUITABLY IN THE INTENDED APPLICATION.

REV. DESC: CHANGED DESC FROM 324-6T TO 324-6TY	VERSION: 01	TDR: 000001106434
REV. LTR: A	REvised: 05:41:41 04/23/2019	BY: ENJOEDO
FILE: \AAA\00247\244		
MTL: -		

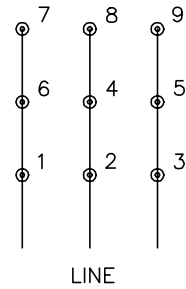
**BALDOR - RELIANCE**®

HOR XPFC 324-6TY CL.I GP.C&D, CL.II GP.E F&G, CP FEATURES  
SH 1 of 1

CD0180



LOW VOLTAGE  
(2D)



HIGH VOLTAGE  
(1D)



NOTES:

1. INTERCHANGE ANY TWO LINE LEADS TO REVERSE ROTATION.
2. OPTIONAL THERMOSTATS ARE PROVIDED WHEN SPECIFIED.
3. ACTUAL NUMBER OF INTERNAL PARALLEL CIRCUITS MAY BE A MULTIPLE OF THOSE SHOWN ABOVE.
4. LEAD COLORS ARE OPTIONAL. LEADS MUST ALWAYS BE NUMBERED AS SHOWN.

CD0180

REV. DESC: ADD CLASS CONN00000007		
REV. LTR: D	VERSION: 01	TDR: 000001099922
FILE: \AAA\00005\148	REVISED: 10:25:29 02/19/2019	BY: ENBRIRO
MTL: -	© □	

**BALDOR - RELIANCE®**

3PH, DV, 9 LEADS, DELTA CONNECTION

SH 1 of 1

Marketing maintained PDF of MN416:

<http://www.baldor.com/support/Literature/Load.ashx/MN416?ManNumber=MN416>