

BALDOR® • RELIANCE 

Product Information Packet

CPX32526T

50HP,3560//2960RPM,3PH,60HZ,326TSY,XPFC,

Part Detail							
Revision:	B	Status:	PRD/A	Change #:		Proprietary:	No
Type:	AC	Elec. Spec:	12WGY587	CD Diagram:	CD0180	Mfg Plant:	
Mech. Spec:		Layout:	12LY-000-226	Poles:	02	Created Date:	05-21-2019
Base:		Eff. Date:	06-29-2021	Leads:	9#8		

Specs			
Catalog Number:	CPX32526T	Duty Rating:	CONT
Enclosure:	XPFC	Electrically Isolated Bearing:	Not Electrically Isolated
Frame:	326TSY	Enclosure Modification:	Severe Duty Features
Frame Material:	Iron	Feedback Device:	NO FEEDBACK
Output @ Frequency:	50.000 HP @ 60 HZ	Heater Indicator:	No Heater
	40.000 HP @ 50 HZ	Insulation Class:	F
Synchronous Speed @ Frequency:	3600 RPM @ 60 HZ	Inverter Code:	Inverter Duty
Voltage @ Frequency:	190.0 V @ 50 HZ	IP Rating:	IP55
	230.0 V @ 60 HZ	KVA Code:	K
	380.0 V @ 50 HZ	Lifting Lugs:	Standard Lifting Lugs
	460.0 V @ 60 HZ	Locked Bearing Indicator:	Locked Bearing
XP Class and Group:	CLI GP C,D; CLII GP E,F,G	Motor Lead Termination:	Flying Leads
XP Division:	Division I	Motor Type:	1264M
Agency Approvals:	UR	Mounting Arrangement:	F1
	CSA EEV	Power Factor:	89
	CSA	Product Family:	Chemical Process Features
Auxillary Box:	No Auxillary Box	Pulley Face Code:	Standard
Auxillary Box Lead Termination:	None	Rodent Screen:	None

Base Indicator:	Rigid	RoHS Status:	ROHS NON-COMPLIANT
Bearing Grease Type:	Polyrex EM (-20F +300F)	Shaft Ground Indicator:	No Shaft Grounding
Blower:	None	Shaft Rotation:	Reversible
Constant Torque Speed Range:	6	Speed Code:	Single Speed
Current @ Voltage:	56.000 A @ 460.0 V	Motor Standards:	NEMA
	54.000 A @ 380.0 V	Starting Method:	Direct on line
	122.000 A @ 208.0 V	Thermal Device - Bearing:	None
	112.000 A @ 230.0 V	Thermal Device - Winding:	Normally Closed Thermostat
	108.000 A @ 190.0 V	Vibration Sensor Indicator:	No Vibration Sensor
Design Code:	A	Winding Thermal 1:	None
Drip Cover:	No Drip Cover	Winding Thermal 2:	None
		XP Temp Code:	T3C

Nameplate NP2033XPSLEV										
NO.						CC	010A			
S/N						TEMP CODE	T3C			
SPEC.	12-0000-0652					INV.TYPE	PWM			
CAT.NO.	CPX32526T					C HP FR	60		C HP TO	90
HP	50//40					CT HZ FROM	6		CT HZ TO	60
VOLTS	230/460//190/380					VT HZ FROM	6		VT HZ TO	60
AMPS	112/56//108/54					MAG CUR	36/18			
RPM	3560//2960					MX RPM	5400			
HZ	60//50		PH	3	CL	F		NOM.EFF.	93	
SER.F.	1.00		DES	A	SL HZ	0.7		WK2	5.01	
FRAME	326TSY		RATING	40C AMB-CONT						
BLANK	55C AMB @ 1.00 SF, 60C RISE									
	1.15SF ON SINEWAVE					NEMA MG-1 PT.5,IP55				

Parts List		
Part Number	Description	Quantity
SA369863	SA 12-0000-0652	1.000 EA
RA359470	RA 12-0000-0652	1.000 EA
LB1115N	LABEL,LIFTING DEVICE (ON ROLLS)	1.000 EA
LB1119N	WARNING LABEL	1.000 EA
LC0181	CONNECTION LABEL	1.000 EA
LB1417	LABEL CARTON 6X4 PERFORATED BLANK ROLLS	1.000 EA
NP2033XPSLEV	SS XP INV UL CSA-EEV CC CL-I GP-C&D	1.000 EA
85XU0407S04	4X1/4 U DRIVE PIN STAINLESS	4.000 EA
85XU0407S04	4X1/4 U DRIVE PIN STAINLESS	2.000 EA
MN416A01	TAG-INSTAL-MAINT no wire (2100/bx) 4/22	1.000 EA
LB1081C	ALUM XP CAUTION LABEL (COL PLANT ONLY-	1.000 EA
10XN3816E08	3/8-16 X .50 HEX HD SCREW BRONZE	1.000 EA
HW1001B38	WASHER, 3/8 SPLT LK, CS, .678OD X .382ID	1.000 EA
12FH1001A01P	FAN COVER, MACH W/EPOXY PRIMER	1.000 EA
HW1001A31	LOCKWASHER 5/16, ZINC PLT.591 OD, .319 I	3.000 EA
10XN3118K12	5/16-18 X .75 GRADE 5, ZINC PLATED	3.000 EA
37FN3002C04	EXFN, PLASTIC, 6.00 OD, 2.003 ID	1.000 EA
HW2500A25	WOODRUFF KEY USA #1008 #BLOW CARBON STEE	1.000 EA
51XB1214A20	12-14X1.25 HXWSSLD SERTYB	1.000 EA
MJ1000A02	GREASE, MOBIL POLYREX EM - 124047	0.200 LB
12EP1705A23PP15	ENDPLATE, MACH.312-EXPL.PROOF 311 BRG.-G	1.000 EA
10XN5013K44	1/2-13 X 2.75 HEX HD GRADE 5	4.000 EA
HW1001A50	LOCKWASHER 1/2, ZINC PLT.,.879 OD, .509 I	4.000 EA
HA2009A50	SLINGER FOR GROUP E MTRS - 311 BRG.	1.000 EA

Parts List (continued)		
Part Number	Description	Quantity
80XN0632A10	SET SCREW,#6-32 X .62 LG.HEX SOC. HD.	2.000 EA
HA2009A49	SLINGER FOR GROUP E MTRS - 312 BRG.	1.000 EA
HW5100A13	W4627-047 WVY WSHER	1.000 EA
HA4051A00	PLASTIC CAP FOR GREASE FITTING	1.000 EA
HW4500A21	1618BALEMITE FITTING 825 UNIVERSAL	1.000 EA
HW4500A20	1/8NPT SL PIPE PLUG	1.000 EA
HW4505A02	BREATHER/DRAIN-EXP PROOF-.250-18 PTF AIS	1.000 EA
HW3023E06	.125 X .625 SPIRAL SPRING PIN	1.000 EA
12EP1706A09P	EP, MACH. XPFC 312 BRG.	1.000 EA
HW1001A50	LOCKWASHER 1/2, ZINC PLT.,.879 OD, .509 I	4.000 EA
10XN5013K44	1/2-13 X 2.75 HEX HD GRADE 5	4.000 EA
80XN0632A10	SET SCREW,#6-32 X .62 LG.HEX SOC. HD.	2.000 EA
10XN3118K40	5/16-18 X 2.75" HEX HD, GRADE 5	4.000 EA
HW1001A31	LOCKWASHER 5/16, ZINC PLT.591 OD, .319 I	4.000 EA
HA4051A00	PLASTIC CAP FOR GREASE FITTING	1.000 EA
HW4500A03	GREASE FITTING, .125 NPT 1610(ALEMITE) 8	1.000 EA
HW4500A20	1/8NPT SL PIPE PLUG	1.000 EA
HW4505A02	BREATHER/DRAIN-EXP PROOF-.250-18 PTF AIS	1.000 EA
HW3023E06	.125 X .625 SPIRAL SPRING PIN	1.000 EA
12CB1003A01P	KOBX,MACH 2.00 NPT GROUP C MTRS,EPOXY PR	1.000 EA
10XN3118K24	5/16-18 X 1.50" HEX HD, GRADE 5	4.000 EA
WD1000B19	TERMINAL BURNDY L250HP	1.000 EA
10XN3816K12	3/8-16 X 3/4 HEX HD CAP GRADE 5	1.000 EA
HW1001A38	LOCKWASHER 3/8, ZINC PLT .688 OD, .382 I	1.000 EA

Product Information Packet: CPX32526T - 50HP,3560//2960RPM,3PH,60HZ,326TSY,XPFC,

12CB1502A01P	CONDUIT BOX LID MACH. GROUP C MTRS	1.000 EA
84XN5013J32	SOCKET HD.CAP SCR,1/2-13 X 2"LG,ALLOY ST	10.000 EA
HW1001A50	LOCKWASHER 1/2, ZINC PLT, .879 OD, .509 I	10.000 EA
MG1025G29	WILKOFASST, 789.229, DARK CHARCOAL GRAY	0.125 GA
14PA1000	PACKAGING 314 GROUP COMBINED PRINT	1.000 EA
HW2501H18	KEY, 1/2 SQ X 2.000	1.000 EA
MJ5001A27	32220KN GRAY SEALER *MIN BUY 4 QTS=1GAL	0.001 QT

AC Induction Motor Performance Data

Record # 66213

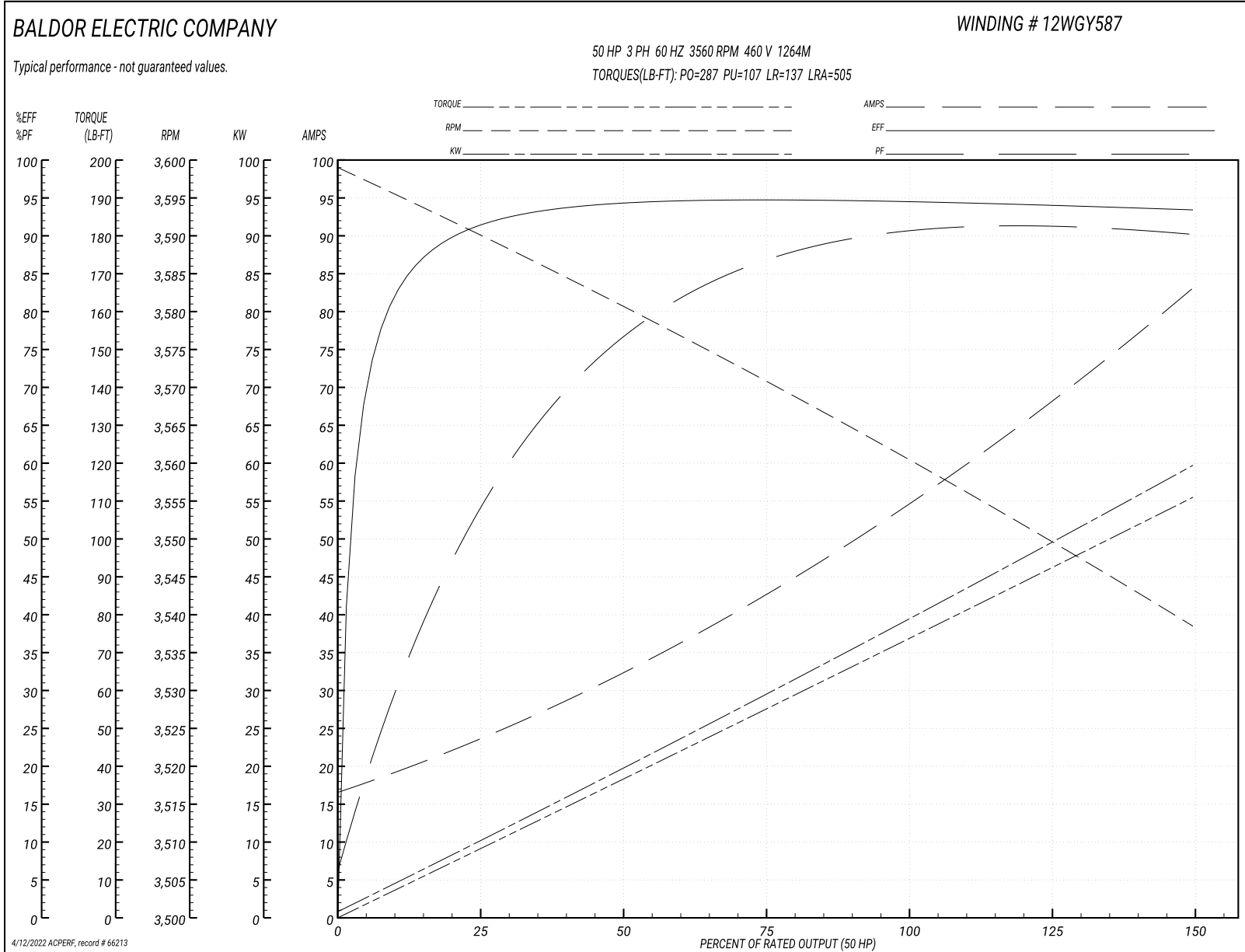
Typical performance - not guaranteed values

Winding: 12WGY587-R004		Type: 1264M	Enclosure: XPFC
Nameplate Data		460 V, 60 Hz: High Voltage Connection	
Rated Output (HP)	50	Full Load Torque	74.1 LB-FT
Volts	230/460	Start Configuration	direct on line
Full Load Amps	112/56	Breakdown Torque	287 LB-FT
R.P.M.	3560	Pull-up Torque	107 LB-FT
Hz	60 Phase	Locked-rotor Torque	137 LB-FT
NEMA Design Code	A KVA Code	Starting Current	505 A
Service Factor (S.F.)	1	No-load Current	17.6 A
NEMA Nom. Eff.	93 Power Factor	Line-line Res. @ 25°C	0.08644 Ω
Rating - Duty	40C AMB-CONT	Temp. Rise @ Rated Load	53°C
		Locked-rotor Power Factor	21.5
		Rotor inertia	4.98 LB-FT ²

Load Characteristics 460 V, 60 Hz, 50 HP

% of Rated Load	25	50	75	100	125	150
Power Factor	58	79	86	90	90	91
Efficiency	91.5	94.3	94.8	94.6	94.1	93.5
Speed	3590	3580.8	3570.3	3560.2	3549.3	3538.6
Line amperes	22.4	31.8	43.5	55.6	69	82.4

Performance Graph at 460V, 60Hz, 50.0HP Typical performance - Not guaranteed values



AC Induction Motor Performance Data

Record # 75687

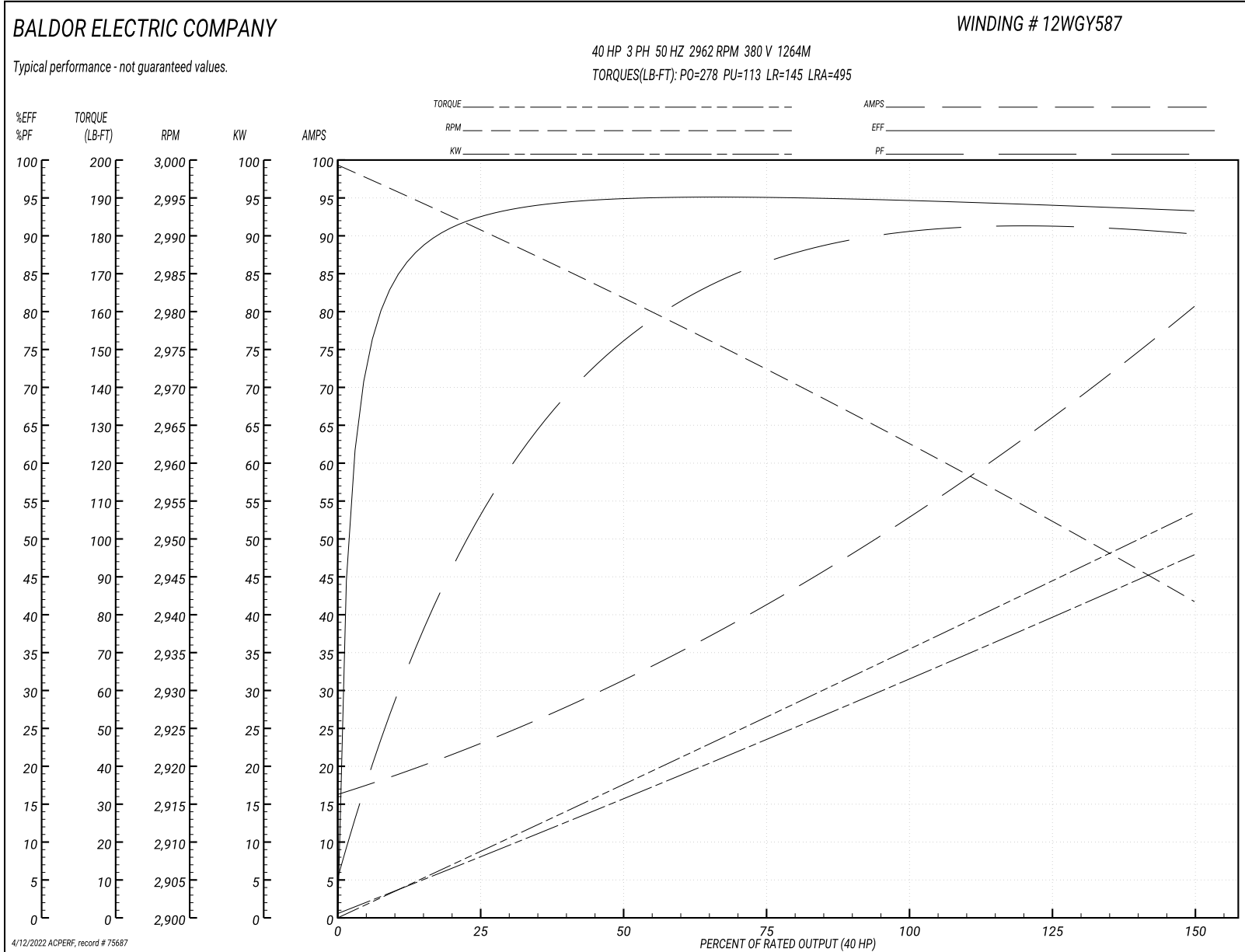
Typical performance - not guaranteed values

Winding: 12WGY587-R003		Type: 1264M	Enclosure: XPFC		
Nameplate Data			380 V, 50 Hz: High Voltage Connection		
Rated Output (HP)	50//40		Full Load Torque	71.22 LB-FT	
Volts	230/460//190/380		Start Configuration	direct on line	
Full Load Amps	112/56//108/54		Breakdown Torque	278 LB-FT	
R.P.M.	3560//2960		Pull-up Torque	113 LB-FT	
Hz	60//50	Phase	3	Locked-rotor Torque	145 LB-FT
NEMA Design Code	A	KVA Code	K	Starting Current	495 A
Service Factor (S.F.)			1	No-load Current	17.33 A
NEMA Nom. Eff.	93	Power Factor	89	Line-line Res. @ 25°C	0.0846 Ω
Rating - Duty	40C AMB-CONT			Temp. Rise @ Rated Load	49°C
S.F. Amps				Temp. Rise @ S.F. Load	60°C
				Locked-rotor Power Factor	24.1
				Rotor inertia	4.98 LB-FT ²

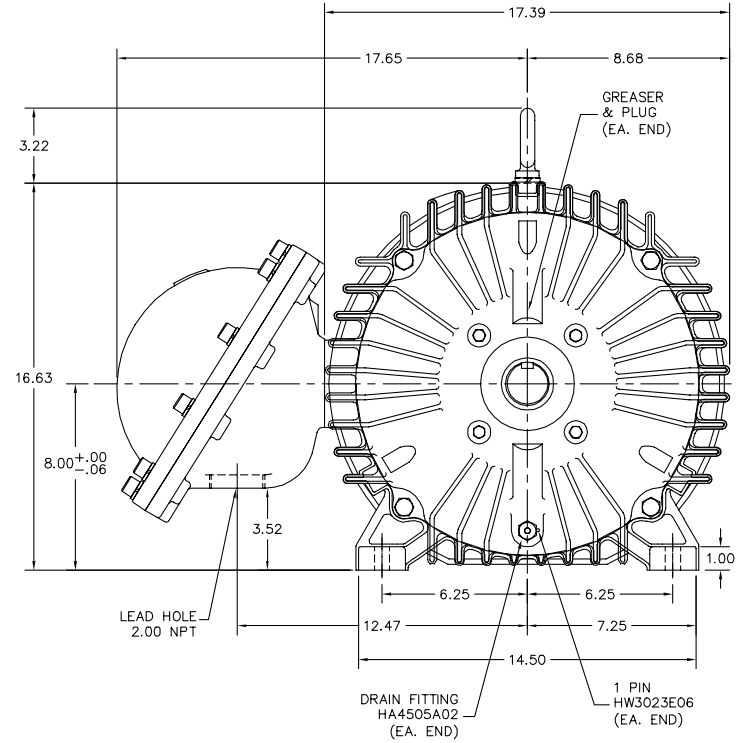
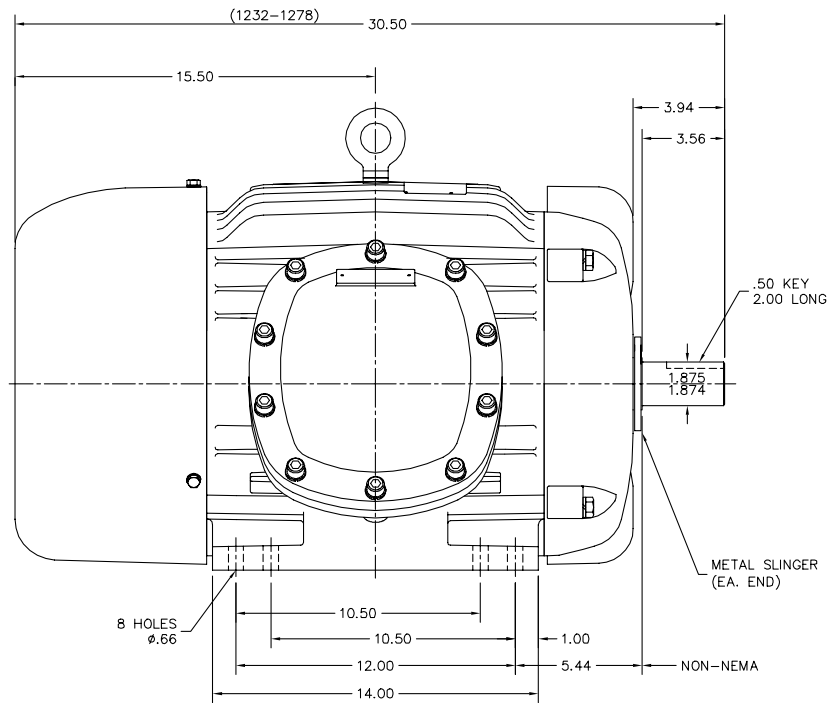
Load Characteristics 380 V, 50 Hz, 40 HP

% of Rated Load	25	50	75	100	125	150
Power Factor	57	78	86	89	90	91
Efficiency	92.7	94.9	95	94.6	94	93.3
Speed	2991	2982	2972	2962	2952	2942
Line amperes	21.78	30.84	42.08	53.81	66.82	79.96

Performance Graph at 380V, 50Hz, 40.0HP Typical performance - Not guaranteed values



12LY-000-226



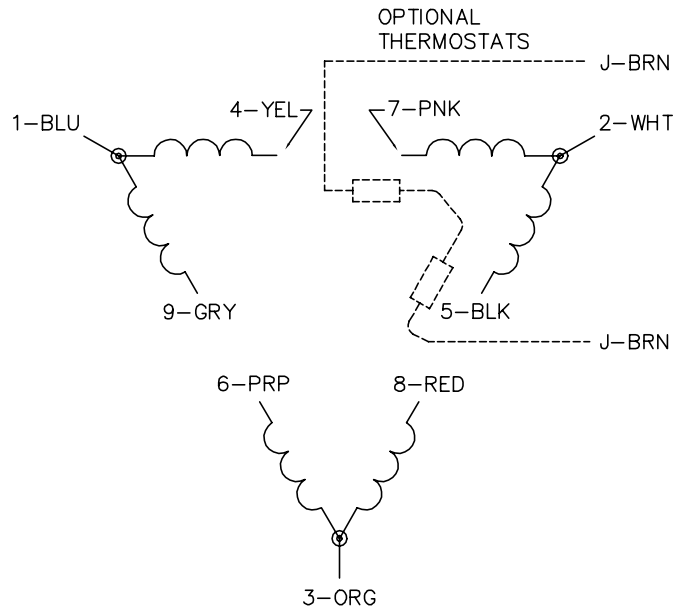
12LY-000-226

CUSTOMER IS RESPONSIBLE FOR DETERMINING THAT BALDOR'S PRODUCT WILL PERFORM SUITABLY IN THE INTENDED APPLICATION.

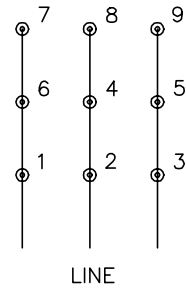
REV. DESC: NEW	VERSION: 00	TDR: 000001106438
REV. LTR: -	REVISED: 07:04:05 05/21/2019	BY: USSADEL11
FILE: \AAA\00248\501		
MTL: -		

BALDOR - RELIANCE®
 HORZ XPFC 324-6TSY CL.I GP.C&D CL.II GP.E,F&G
 SH 1 of 1

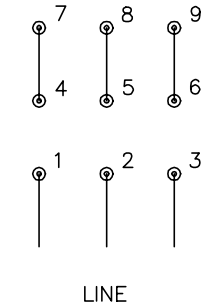
CD0180



LOW VOLTAGE
(2D)



HIGH VOLTAGE
(1D)



NOTES:

1. INTERCHANGE ANY TWO LINE LEADS TO REVERSE ROTATION.
2. OPTIONAL THERMOSTATS ARE PROVIDED WHEN SPECIFIED.
3. ACTUAL NUMBER OF INTERNAL PARALLEL CIRCUITS MAY BE A MULTIPLE OF THOSE SHOWN ABOVE.
4. LEAD COLORS ARE OPTIONAL. LEADS MUST ALWAYS BE NUMBERED AS SHOWN.

CD0180

REV. DESC: ADD CLASS CONN00000007		
REV. LTR: D	VERSION: 01	TDR: 000001099922
FILE: \AAA\00005\148	REVISED: 10:25:29 02/19/2019	BY: ENBRIRO
MTL: -	© □	

BALDOR - RELIANCE®

3PH, DV, 9 LEADS, DELTA CONNECTION

SH 1 of 1

Marketing maintained PDF of MN416:

<http://www.baldor.com/support/Literature/Load.ashx/MN416?ManNumber=MN416>