



Customer information packet

CPX36466T

40HP, 1190RPM, 3PH, 60HZ, 364T, TEFC, F1

Class - CLI GP C,D; CLII GP E,F,G

Division - Division I

Specifications

Enclosure	TEFC
Frame	364T
Frame Material	Iron
Frequency	60.00 Hz
Motor Letter Type	Three Phase
Output @ Frequency	40.000 HP @ 60 HZ
Phase	3
Synchronous Speed @ Frequency	1200 RPM @ 60 HZ
Voltage @ Frequency	230.0 V @ 60 HZ
	460.0 V @ 60 HZ
XP Class and Group	CLI GP C,D; CLII GP E,F,G
XP Division	Division I
Agency Approvals	CCSA US
	CSA
	CSA EEV
	UL
Ambient Temperature	40 °C
Auxillary Box	No Auxillary Box
Base Indicator	Rigid
Bearing Grease Type	Polyrex EM (-20F +300F)
Constant Torque Speed Range	6-60
Current @ Voltage	51.400 A @ 460.0 V
	103.000 A @ 230.0 V
Design Code	A
Drip Cover	No Drip Cover
Duty Rating	CONT
Efficiency @ 100% Load	94.1 %
Enclosure Modification	Severe Duty Features
Feedback Device	NO FEEDBACK
Heater Indicator	No Heater
High Voltage Full Load Amps	51.4 a
Insulation Class	F

Part detail

Revision	-
Type	AC
Mech. spec.	
Base	
Status	PRD/A
Elec. spec.	A36WG0751
Layout	617428-024
Eff. date	05-01-2019
CD Diagram	416820-002
Poles	06
Leads	3#4,6#6
Proprietary	False
Created date	04-25-2019

Inverter Code	Inverter Ready
IP Rating	IP55
KVA Code	H
Lifting Lugs	Standard Lifting Lugs
Max Speed	3000 rpm
Motor Lead Quantity/Wire Size	3 @ 4 AWG
Motor Standards	NEMA
Motor Type	A36062M
Mounting Arrangement	F1
Number of Poles	6
Overall Length	33.48 IN
Power Factor	78
Product Family	General Industrial
Pulley End Bearing Type	Ball
Pulley Face Code	Standard
Service Factor	1.00
Shaft Diameter	2.374 IN
Shaft Ground Indicator	No Shaft Grounding
Shaft Rotation	Reversible
Shaft Slinger Indicator	Shaft Slinger
Speed	1190 rpm
Speed Code	Single Speed
Starting Method	Direct on line
Thermal Device - Bearing	None
Thermal Device - Winding	Normally Closed Thermostat
XP Temp Code	T3C

Nameplate

NP2496L	
MOBIL POLYREX EM	

000692000FX



000613006PC

CLASS I GROUP C D X **NO.****CLASS II GROUP** E F G**OPERATING TEMP CODE** T3C

000901002AAA

SUITABLE FOR 55C AMB AT 1.00 S

F AT SINEWAVE

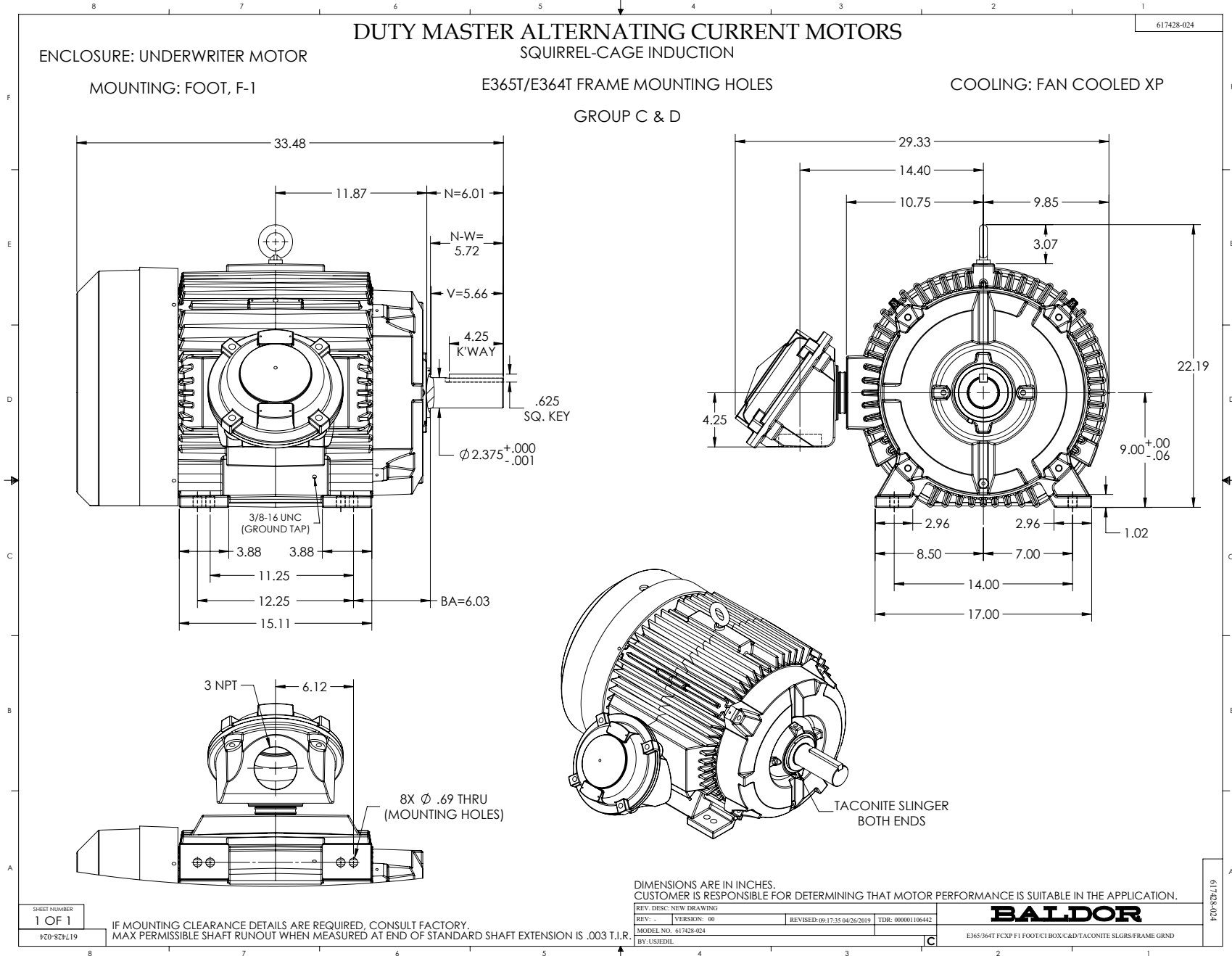
NP3140L

SPEC NO.	A36-5532-0751		CAT.NO.	CPX36466T			FRAME	364T	
HP	40	VOLTS	230/460	PHASE	3	DESIGN	A	TYPE	P
RPM	1190	AMPS	103/51.4	HZ	60	AMB	40	SF	1.00
DRIVE END BEARING	65BC03J30X		DUTY	CONT		INSUL.CLASS	F		
OPP D.E. BEARING	65BC03J30X		ENCL	TEFC		CODE	H		
SF	1.15	WK2	20.223	MAG CUR	42.6/21.3		RPM MAX	3000	
CT HZ	6-60	VT HZ	0-60	CHP HZ	60-90		NEMA-NOM-EFF	94.1	
	IP66								
SER.NO.				MOTOR WEIGHT	908				

Parts list

Part number	Description	Quantity
SA369055	SA A36-5532-0751	1.000 ea
RA358594	RA A36-5532-0751	1.000 ea
421948032	LABEL, MYLAR	1.000 ea
NP2496L	MOTOR LUBE NAMEPLATE	1.000 ea
000692000JF	CAUTION LABEL TO PREVENT IGNITION	1.000 ea
000692000VD	LABEL WARNING	1.000 ea
000692000FX	UL LISTED LOGO LABEL 2.53 X 0.75 X .018	1.000 ea
000613006PC	N/P U/L (REL QTY 500)	1.000 ea
000901002AAA	N/P BLANK (RELEASE QTY 1,500)	1.000 ea
NP3140L	INVERTER DUTY, SS, CC, CSA-C US, CSA EEV	1.000 ea
609158001B	SLGR - 360	1.000 ea
603284001S	SLGR - 360	1.000 ea
087793060DM	BRKT STD 313 E360 FCXP W/ CL.II GRP E &	1.000 ea
415072001B	CLAMP	1.000 ea
HW4505A02	BREATHER/DRAIN-EXP PROOF-.250-18 PTF AIS	1.000 ea
415030051AX	BUSH - 360	1.000 ea
078559001A	+FANCV - 360	1.000 ea
034180012DA	KEY 1X4X1/4X1-1/2 L	1.000 ea
078550001M	FAN KB 60/30 (30) 360	1.000 ea
004824015A	GREASE POLYREX EM	0.540 lb
032018008AK	HHCS 1/4-20X1 PLATED	4.000 ea
032018018CK	HHCS 3/8-16X2-1/4 PLTD.	2.000 ea
415096002A	CPLG 1/8 HEX TYPE	1.000 ea
604923009R	SLGR - 360	1.000 ea
410700004F	WSHR	1.000 ea
034017016AB	LCKW 1/2" PLATED	4.000 ea
034017012AB	LCKW 1/4 STD. PLATED 034017012AF	4.000 ea
032130020DB	HSHCS 1/2-13X2-1/2 PLTD.	4.000 ea
034017014AB	LCKW 3/8 STD. PLATED	2.000 ea
034530056AC	P/NIP 1/8X7L GALV-365	1.000 ea
032620012HD	HSSS 8-32X3/8 304S.S.	2.000 ea

HW4505A02	BREATHER/DRAIN-EXP PROOF-.250-18 PTF AIS	1.000 ea
034690002AB	PPLG 1/4" PLTD.	1.000 ea
034690002AB	PPLG 1/4" PLTD.	1.000 ea
087793060DM	BRKT STD 313 E360 FCXP W/ CL.II GRP E &	1.000 ea
032018018CK	HHCS 3/8-16X2-1/4 PLTD.	2.000 ea
604923009R	SLGR - 360	1.000 ea
034017016AB	LCKW 1/2" PLATED	4.000 ea
034017014AB	LCKW 3/8 STD. PLATED	2.000 ea
032620012HD	HSSS 8-32X3/8 304S.S.	2.000 ea
034530020AB	P/NIP 1/8X2-1/2 PLTED	1.000 ea
415096002A	CPLG 1/8 HEX TYPE	1.000 ea
415030051AX	BUSH - 360	1.000 ea
032130020DB	HSHCS 1/2-13X2-1/2 PLTD.	4.000 ea
073646000E	C/B 320 WA073646000 KB	1.000 ea
064069000A	C/BC320/360 X 064069000B	1.000 ea
418150003A	GREASE FITTING CAP	1.000 ea
032018014DK	HHCS 1/2-13X1-3/4 PLTD	4.000 ea
063916001DE	+P/NIP 3X2-5/8 DIMPL-360	1.000 ea
034017016AB	LCKW 1/2" PLATED	4.000 ea
035000001A	ALFTG 1/8" 1610-BL	1.000 ea
415000103A	T/LUG #14AWG-#4AWG W/HOLE FOR .250 BOLT	1.000 ea
406099000A	PLUG - FAN COVER 320-440	1.000 ea
032018004AM	HHCS 1/4-20X1/2PLTD GREN	1.000 ea
034036012AB	CKW EXTERNAL TOOTH 1/4"	1.000 ea
035000001A	ALFTG 1/8" 1610-BL	1.000 ea
418150003A	GREASE FITTING CAP	1.000 ea
MG1025G05	WILKOFAS, 789.227, MED. GRAY CHAR. MET.	0.250 ga
033775004EA	DRSCR #6-1/4 304 S.S.	8.000 ea
034180034HA	KEY 5/8X5/8X4-1/4 L	1.000 ea
14PA1000	PACKAGING 314 GROUP COMBINED PRINT	1.000 ea
HW1000A32	5/16 FL WASHER WIDE, ID=.344, OD=1.125	3.000 ea
032509020C	CARRIAGE BOLT - 360	3.000 ea



CONNECTION DIAGRAM ACCESSORIES

MOTOR WINDING THERMOSTATS	
CONTACTS _____ @ _____ °C	
FIGURE NUMBER _____	
CONTACT RATING	
VOLTS	CONTINUOUS AMPERES
110-120	3.0
220-240	1.5
440-480	0.75
550-600	0.60
	INRUSH AMPERES
	30
	15
	7.5
	6.0

NORMALLY CLOSED	THERMOSTATS	NORMALLY OPEN
<p>FIGURE 1</p>		<p>FIGURE 4</p>
<p>FIGURE 2</p>		<p>FIGURE 5</p>
<p>FIGURE 3</p>		<p>FIGURE 6</p>
<p>FIGURE 7</p>		<p>FIGURE 8</p>

CUSTOMER _____ CUSTOMER ORDER NO. _____ S.O. NO. _____

418174-006

418174-006

REV. DESC: LOADED TO BUS		
REV. LTR: A	VERSION: 01	TDR: 000000570390
FILE: \RAG\00013\849	REVISED: 10:16:21 12/07/2010	BY: RAGDRF
MTL: -		

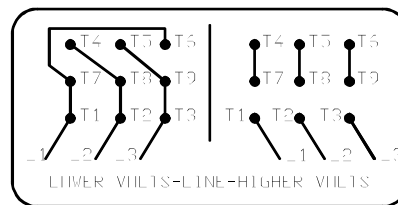
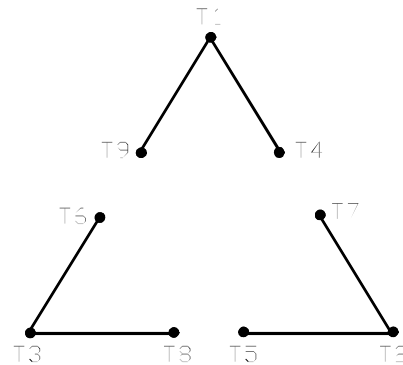
BALDOR

A-C MOTOR CONNECTION ACCESSORIES

SH 1 of 1

416820-002

A-C MOTOR
 CONNECTION DIAGRAM
 STANDARD 9 LEAD DELTA-CONNECTED



(N.P. 1575-B)

416820-002

REV. DESC: FONT CHANGE FOR PDF SEARCHABLE		
REV. LTR: A	VERSION: 01	TDR: 000001009382
FILE: \MGA\00000\661	REVISED: 02:46:19 02/13/2020	BY: MGHMTT
MTL: -	© □	

BALDOR - RELIANCE®

CONN DIAG - STANDARD 9 LEAD, DELTA-CONNECTED

SH 1 of 1