

BALDOR • RELIANCE

Customer information packet

CPX36626T

60HP, 3560RPM, 3PH, 60HZ, 364TS, TEFC, F1

Class - CLI GP C,D; CLII GP E,F,G

Division - Division I

Specifications

| | |
|-------------------------------|---------------------------|
| Enclosure | TEFC |
| Frame | 364TS |
| Frame Material | Iron |
| Frequency | 60.00 Hz |
| Motor Letter Type | Three Phase |
| Output @ Frequency | 60.000 HP @ 60 HZ |
| Phase | 3 |
| Synchronous Speed @ Frequency | 3600 RPM @ 60 HZ |
| Voltage @ Frequency | 230.0 V @ 60 HZ |
| | 460.0 V @ 60 HZ |
| XP Class and Group | CLI GP C,D; CLII GP E,F,G |
| XP Division | Division I |
| Agency Approvals | CCSA US |
| | CSA |
| | CSA EEV |
| | UL |
| Ambient Temperature | 40 °C |
| Auxillary Box | No Auxillary Box |
| Base Indicator | Rigid |
| Bearing Grease Type | Polyrex EM (-20F +300F) |
| Constant Torque Speed Range | 6-60 |
| Current @ Voltage | 65.100 A @ 460.0 V |
| | 130.000 A @ 230.0 V |
| Design Code | B |
| Drip Cover | No Drip Cover |
| Duty Rating | CONT |
| Efficiency @ 100% Load | 93.6 % |
| Enclosure Modification | Severe Duty Features |
| Feedback Device | NO FEEDBACK |
| Heater Indicator | No Heater |
| High Voltage Full Load Amps | 65.1 a |
| Insulation Class | F |

Part detail

| | |
|--------------|------------|
| Revision | - |
| Type | AC |
| Mech. spec. | |
| Base | |
| Status | PRD/A |
| Elec. spec. | A36WG1558 |
| Layout | 617428-706 |
| Eff. date | 05-01-2019 |
| CD Diagram | 416820-002 |
| Poles | 02 |
| Leads | 3#4,6#6 |
| Proprietary | False |
| Created date | 04-26-2019 |

| | |
|--------------------------------------|----------------------------|
| Inverter Code | Inverter Ready |
| IP Rating | IP55 |
| KVA Code | G |
| Lifting Lugs | Standard Lifting Lugs |
| Max Speed | 4200 rpm |
| Motor Lead Quantity/Wire Size | 3 @ 4 AWG |
| Motor Standards | NEMA |
| Motor Type | A36056M |
| Mounting Arrangement | F1 |
| Number of Poles | 2 |
| Overall Length | 31.35 IN |
| Power Factor | 91 |
| Product Family | General Industrial |
| Pulley End Bearing Type | Ball |
| Pulley Face Code | Standard |
| Service Factor | 1.00 |
| Shaft Diameter | 1.875 IN |
| Shaft Ground Indicator | No Shaft Grounding |
| Shaft Rotation | Reversible |
| Shaft Slinger Indicator | Shaft Slinger |
| Speed | 3560 rpm |
| Speed Code | Single Speed |
| Starting Method | Direct on line |
| Thermal Device - Bearing | None |
| Thermal Device - Winding | Normally Closed Thermostat |
| XP Temp Code | T3C |

Nameplate

| | |
|------------------|--|
| NP2496L | |
| MOBIL POLYREX EM | |
| | |

000692000FX



000613006PC

| | | | |
|----------------------------|-------|------------|--|
| CLASS I GROUP | C D X | NO. | |
| CLASS II GROUP | E F G | | |
| OPERATING TEMP CODE | T3C | | |

000901002AAA

SUITABLE FOR 55C AMB AT 1.00 S

F AT SINEWAVE

| |
|--|
| |
| |
| |
| |
| |

| |
|--|
| |
| |
| |
| |
| |

NP3140L

| | | | | | | | | | | | |
|--------------------------|---------------|--------------|----------------|---------------|---------------------|--------------------|---------------------|-------|-------------|------|--|
| SPEC NO. | A36-7813-1558 | | CAT.NO. | CPX36626T | | | FRAME | 364TS | | | |
| HP | 60 | VOLTS | 230/460 | | PHASE | 3 | DESIGN | B | TYPE | P | |
| RPM | 3560 | AMPS | 130/65.1 | | HZ | 60 | AMB | 40 | SF | 1.00 | |
| DRIVE END BEARING | 65BC03J30X | | DUTY | CONT | | INSUL.CLASS | F | | | | |
| OPP D.E. BEARING | 65BC03J30X | | ENCL | TEFC | CODE | G | | | | | |
| SF | 1.15 | WK2 | MAG CUR | | 28.8/14.4 | | RPM MAX | 4200 | | | |
| CT HZ | 6-60 | VT HZ | 0-60 | CHP HZ | 60-70 | | NEMA-NOM-EFF | 93.6 | | | |
| | IP66 | | | | | | | | | | |
| SER.NO. | | | | | MOTOR WEIGHT | 999 | | | | | |

Parts list

| Part number | Description | Quantity |
|--------------|--|----------|
| SA368894 | SA A36-7813-1558 | 1.000 ea |
| RA358430 | RA A36-7813-1558 | 1.000 ea |
| 421948032 | LABEL, MYLAR | 1.000 ea |
| NP2496L | MOTOR LUBE NAMEPLATE | 1.000 ea |
| 000692000JF | CAUTION LABEL TO PREVENT IGNITION | 1.000 ea |
| 000692000VD | LABEL WARNING | 1.000 ea |
| 000692000FX | UL LISTED LOGO LABEL 2.53 X 0.75 X .018 | 1.000 ea |
| 000613006PC | N/P U/L (REL QTY 500) | 1.000 ea |
| 000901002AAA | N/P BLANK (RELEASE QTY 1,500) | 1.000 ea |
| NP3140L | INVERTER DUTY, SS, CC, CSA-C US, CSA EEV | 1.000 ea |
| 609158001B | SLGR - 360 | 1.000 ea |
| 603284001S | SLGR - 360 | 1.000 ea |
| 087793060DM | BRKT STD 313 E360 FCXP W/ CL.II GRP E & | 1.000 ea |
| 415072001B | CLAMP | 1.000 ea |
| HW4505A02 | BREATHER/DRAIN-EXP PROOF-.250-18 PTF AIS | 1.000 ea |
| 415030051AX | BUSH - 360 | 1.000 ea |
| 078559001A | +FANCV - 360 | 1.000 ea |
| 034180012DA | KEY 1X4X1/4X1-1/2 L | 1.000 ea |
| 702676001C | FAN 360 | 1.000 ea |
| 004824015A | GREASE POLYREX EM | 0.540 lb |
| 032018008AK | HHCS 1/4-20X1 PLATED | 4.000 ea |
| 032018018CK | HHCS 3/8-16X2-1/4 PLTD. | 2.000 ea |
| 415096002A | CPLG 1/8 HEX TYPE | 1.000 ea |
| 604923009R | SLGR - 360 | 1.000 ea |
| 410700004F | WSHR | 1.000 ea |
| 034017016AB | LCKW 1/2" PLATED | 4.000 ea |
| 034017012AB | LCKW 1/4 STD. PLATED 034017012AF | 4.000 ea |
| 032130020DB | HSHCS 1/2-13X2-1/2 PLTD. | 4.000 ea |
| 034017014AB | LCKW 3/8 STD. PLATED | 2.000 ea |
| 034530056AC | P/NIP 1/8X7L GALV-365 | 1.000 ea |
| 032620012HD | HSSS 8-32X3/8 304S.S. | 2.000 ea |

| | | |
|-------------|--|----------|
| HW4505A02 | BREATHER/DRAIN-EXP PROOF-.250-18 PTF AIS | 1.000 ea |
| 034690002AB | PPLG 1/4" PLTD. | 1.000 ea |
| 034690002AB | PPLG 1/4" PLTD. | 1.000 ea |
| 087793060DM | BRKT STD 313 E360 FCXP W/ CL.II GRP E & | 1.000 ea |
| 032018018CK | HHCS 3/8-16X2-1/4 PLTD. | 2.000 ea |
| 604923009R | SLGR - 360 | 1.000 ea |
| 034017016AB | LCKW 1/2" PLATED | 4.000 ea |
| 034017014AB | LCKW 3/8 STD. PLATED | 2.000 ea |
| 032620012HD | HSSS 8-32X3/8 304S.S. | 2.000 ea |
| 034530020AB | P/NIP 1/8X2-1/2 PLTED | 1.000 ea |
| 415096002A | CPLG 1/8 HEX TYPE | 1.000 ea |
| 415030051AX | BUSH - 360 | 1.000 ea |
| 032130020DB | HSHCS 1/2-13X2-1/2 PLTD. | 4.000 ea |
| 073646000E | C/B 320 WA073646000 KB | 1.000 ea |
| 064069000A | C/BC320/360 X 064069000B | 1.000 ea |
| 418150003A | GREASE FITTING CAP | 1.000 ea |
| 032018014DK | HHCS 1/2-13X1-3/4 PLTD | 4.000 ea |
| 063916001DE | +P/NIP 3X2-5/8 DIMPL-360 | 1.000 ea |
| 034017016AB | LCKW 1/2" PLATED | 4.000 ea |
| 035000001A | ALFTG 1/8" 1610-BL | 1.000 ea |
| 415000103A | T/LUG #14AWG-#4AWG W/HOLE FOR .250 BOLT | 1.000 ea |
| 406099000A | PLUG - FAN COVER 320-440 | 1.000 ea |
| 032018004AM | HHCS 1/4-20X1/2PLTD GREN | 1.000 ea |
| 034036012AB | CKW EXTERNAL TOOTH 1/4" | 1.000 ea |
| 035000001A | ALFTG 1/8" 1610-BL | 1.000 ea |
| 418150003A | GREASE FITTING CAP | 1.000 ea |
| MG1025G05 | WILKOFAS, 789.227, MED. GRAY CHAR. MET. | 0.250 ga |
| 033775004EA | DRSCR #6-1/4 304 S.S. | 8.000 ea |
| 034180016GA | KEY 1/2X1/2X2 L | 1.000 ea |
| 14PA1000 | PACKAGING 314 GROUP COMBINED PRINT | 1.000 ea |
| HW1000A32 | 5/16 FL WASHER WIDE, ID=.344, OD=1.125 | 3.000 ea |
| 032509020C | CARRIAGE BOLT - 360 | 3.000 ea |

617428-706

DUTY MASTER ALTERNATING CURRENT MOTORS
SQUIRREL-CAGE INDUCTION

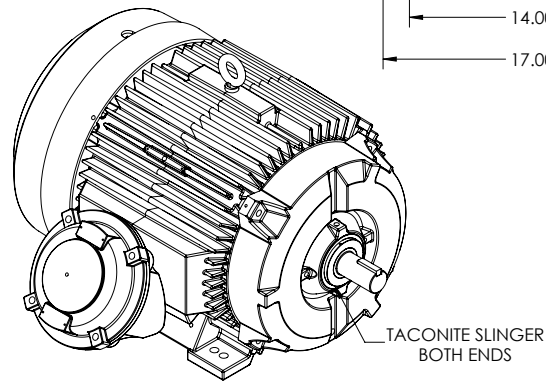
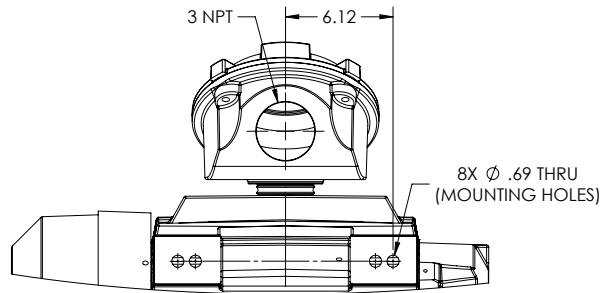
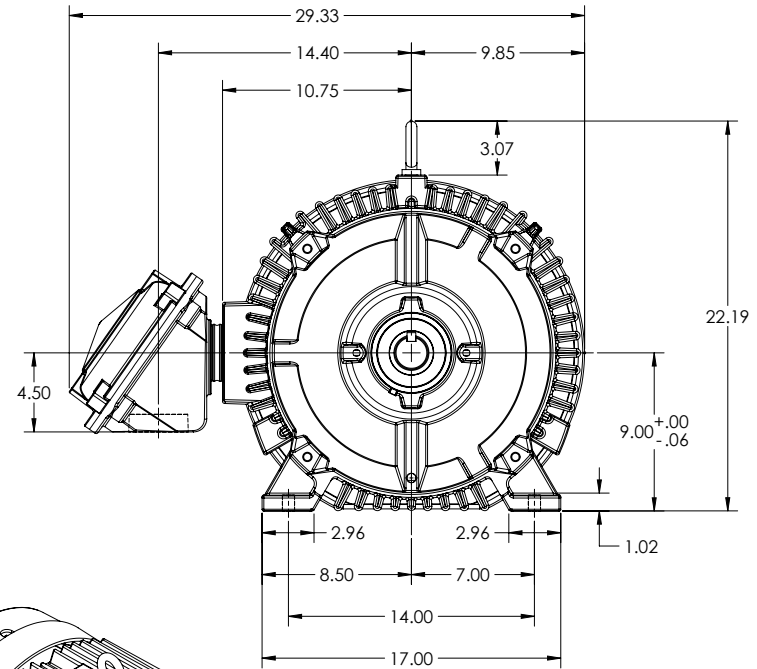
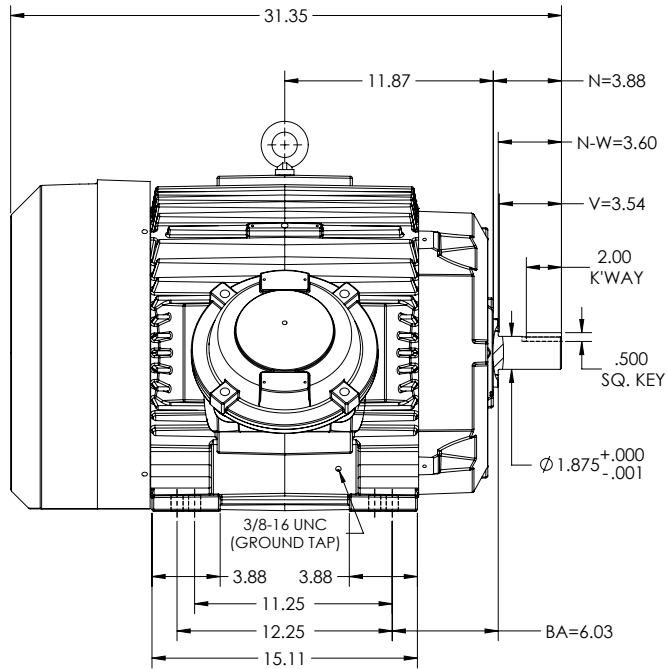
ENCLOSURE: UNDERWRITER MOTOR

MOUNTING: FOOT, F-1

E365TS/E364TS FRAME MOUNTING HOLES

COOLING: FAN COOLED XP

GROUP C & D



DIMENSIONS ARE IN INCHES.
CUSTOMER IS RESPONSIBLE FOR DETERMINING THAT MOTOR PERFORMANCE IS SUITABLE IN THE APPLICATION.

SHEET NUMBER
1 OF 1

IF MOUNTING CLEARANCE DETAILS ARE REQUIRED, CONSULT FACTORY.

MAX PERMISSIBLE SHAFT RUNOUT WHEN MEASURED AT END OF STANDARD SHAFT EXTENSION IS .003 T.I.R.

| | | | |
|------------------------|-------------|------------------------------|-------------------|
| REV. DESC: NEW DRAWING | VERSION: 00 | REVISED: 09-27-07 04/26/2019 | TDR: 000001106443 |
| MODEL NO. 617428-706 | BY: USJEDIL | | |

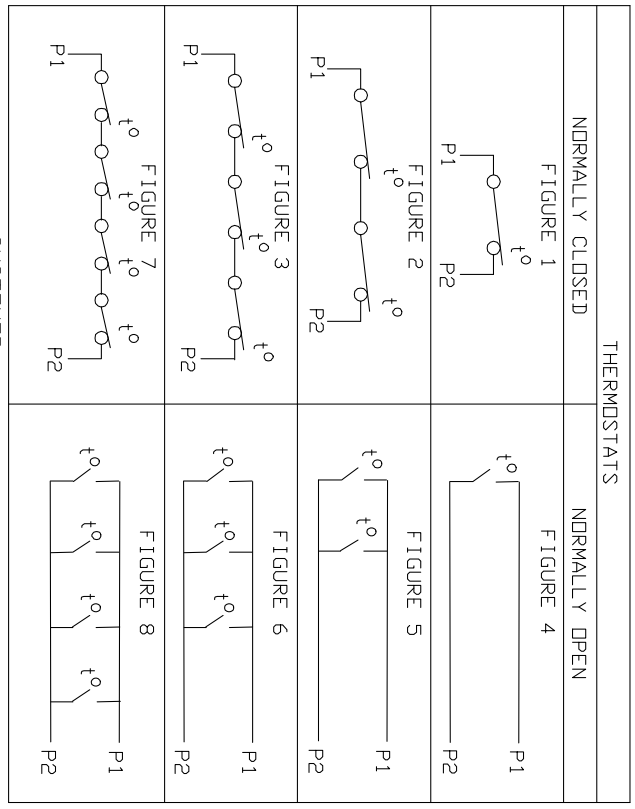
BALDOR

E365/364TS FCXP F1 FT-CAST IRON BOX/GRP C&D TACONITE SLINGER

617428-706

CONNECTION DIAGRAM ACCESSORIES

| | |
|---------------------------|-----------------------|
| MOTOR WINDING THERMOSTATS | |
| CONTACTS _____ @ _____ °C | |
| FIGURE NUMBER _____ | |
| CONTACT RATING | |
| VOLTS | CONTINUOUS AMPERES |
| 110-120 | 3.0 |
| 220-240 | 1.5 |
| 440-480 | 0.75 |
| 550-600 | 0.60 |
| | INRUSH AMPERES |
| | 30 |
| | 15 |
| | 7.5 |
| | 6.0 |



CUSTOMER _____ CUSTOMER ORDER NO. _____ S.O. NO. _____

418174-006

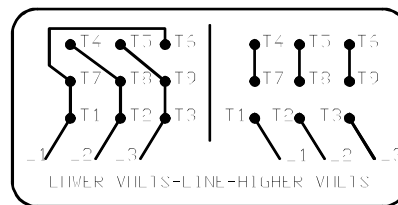
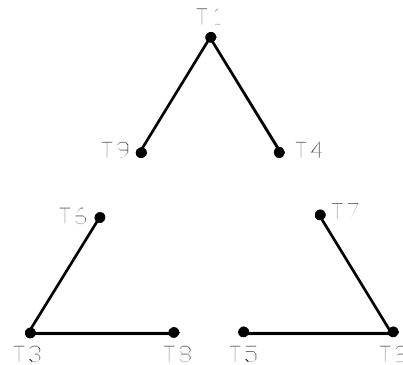
418174-006

| | | |
|--------------------------|------------------------------|-------------------|
| REV. DESC: LOADED TO BUS | | |
| REV. LTR: A | VERSION: 01 | TDR: 000000570390 |
| FILE: \RAG\00013\849 | REVISED: 10:16:21 12/07/2010 | BY: RAGDRF |
| MTL: - | | |

BALDOR
A-C MOTOR CONNECTION ACCESSORIES
SH 1 of 1

416820-002

A-C MOTOR
 CONNECTION DIAGRAM
 STANDARD 9 LEAD DELTA-CONNECTED



(N.P. 1575-B)

416820-002

| | | |
|---|------------------------------|-------------------|
| REV. DESC: FONT CHANGE FOR PDF SEARCHABLE | | |
| REV. LTR: A | VERSION: 01 | TDR: 000001009382 |
| FILE: \MGA\00000\661 | REVISED: 02:46:19 02/13/2020 | BY: MGHMTT |
| MTL: - | © □ | |

BALDOR - RELIANCE®

CONN DIAG - STANDARD 9 LEAD, DELTA-CONNECTED

SH 1 of 1