

**BALDOR • RELIANCE**

---

# Customer information packet

## CPX40766T

75//60HP, 1185//985RPM, 3PH, 60//50HZ, 405T,  
Class - CLI GP C,D; CLII GP E,F,G  
Division - Division I

## Specifications

Enclosure	TEFC
Frame	405T
Frame Material	Iron
Frequency	50.00 Hz 60.00 Hz
Motor Letter Type	Three Phase
Output @ Frequency	75.000 HP @ 60 HZ 60.000 HP @ 50 HZ
Phase	3
Synchronous Speed @ Frequency	1200 RPM @ 60 HZ
Voltage @ Frequency	190.0 V @ 50 HZ 230.0 V @ 60 HZ 380.0 V @ 50 HZ 460.0 V @ 60 HZ
XP Class and Group	CLI GP C,D; CLII GP E,F,G
XP Division	Division I
Agency Approvals	UL CSA
Ambient Temperature	40 °C
Auxillary Box	No Auxillary Box
Base Indicator	Rigid
Bearing Grease Type	Polyrex EM (-20F +300F)
Current @ Voltage	168.000 A @ 230.0 V 82.100 A @ 380.0 V 84.200 A @ 460.0 V 164.000 A @ 190.0 V
Design Code	B
Drip Cover	No Drip Cover
Duty Rating	CONT
Efficiency @ 100% Load	94.5 %
Enclosure Modification	Severe Duty Features
Feedback Device	NO FEEDBACK

## Part detail

Revision	C
Type	AC
Mech. spec.	
Base	
Status	PRD/A
Elec. spec.	A40WG1215
Layout	617433-605
Eff. date	04-02-2019
CD Diagram	416820-002
Poles	06
Leads	3#4,6#6
Proprietary	False
Created date	02-11-2019

<b>Heater Indicator</b>	No Heater
<b>High Voltage Full Load Amps</b>	82.1 a
<b>Insulation Class</b>	F
<b>Inverter Code</b>	Inverter Ready
<b>IP Rating</b>	IP55
<b>KVA Code</b>	F
<b>Motor Lead Quantity/Wire Size</b>	3 @ 4 AWG
<b>Motor Standards</b>	NEMA
<b>Motor Type</b>	A40072M
<b>Mounting Arrangement</b>	F1
<b>Number of Poles</b>	6
<b>Overall Length</b>	38.22 IN
<b>Power Factor</b>	88
<b>Product Family</b>	General Industrial
<b>Pulley End Bearing Type</b>	Ball
<b>Pulley Face Code</b>	Standard
<b>Service Factor</b>	1.15
<b>Shaft Diameter</b>	2.875 IN
<b>Shaft Ground Indicator</b>	No Shaft Grounding
<b>Shaft Rotation</b>	Reversible
<b>Shaft Slinger Indicator</b>	Shaft Slinger
<b>Speed</b>	1185 rpm 985 rpm
<b>Speed Code</b>	Single Speed
<b>Starting Method</b>	Direct on line
<b>Thermal Device - Winding</b>	Normally Closed Thermostat
<b>XP Temp Code</b>	T3C

**Nameplate**

---

NP2496L	
MOBIL POLYREX EM	

---

---

**000613006PC**

---

**CLASS I GROUP** C D X **NO.****CLASS II GROUP** E F G**OPERATING TEMP CODE** T3C

---

---

**000901002AAA**

---

SUIT @ 55C AMB AT 1.00 SF AT S	INEWAVE

**NP3140L**

<b>SPEC NO.</b>	A40-0964-1215	<b>CAT.NO.</b>	CPX40766T	<b>FRAME</b>	405T
<b>HP</b>	75	<b>VOLTS</b>	230/460	<b>PHASE</b>	3
				<b>DESIGN</b>	B
				<b>TYPE</b>	P
<b>RPM</b>	1185	<b>AMPS</b>	168/84.2	<b>HZ</b>	60
				<b>AMB</b>	40
				<b>SF</b>	1.00
<b>DRIVE END BEARING</b>	80BC03J30X	<b>DUTY</b>	CONT	<b>INSUL.CLASS</b>	F
<b>OPP D.E. BEARING</b>	80BC03J30X	<b>ENCL</b>	TEFC	<b>CODE</b>	F
<b>SF</b>	1.15	<b>WK2</b>	39.6	<b>MAG CUR</b>	20.7
				<b>RPM MAX</b>	3000
<b>CT HZ</b>	6-60	<b>VT HZ</b>	0-60	<b>CHP HZ</b>	60-90
				<b>NEMA-NOM-EFF</b>	94.5
	IP66				
<b>SER.NO.</b>		<b>MOTOR WEIGHT</b>			

## Parts list

Part number	Description	Quantity
SA366132	SA A40-0964-1215	1.000 ea
RA355538	RA A40-0964-1215	1.000 ea
421948032	LABEL, MYLAR	1.000 ea
NP2496L	MOTOR LUBE NAMEPLATE	1.000 ea
000692000VD	LABEL WARNING	1.000 ea
LB1073	ALUM XP CAUTION LABEL	1.000 ea
000613006PC	N/P U/L (REL QTY 500)	1.000 ea
000901002AAA	N/P BLANK (RELEASE QTY 1,500)	1.000 ea
NP3140L	INVERTER DUTY, SS, CC, CSA-C US, CSA EEV	1.000 ea
HW4505A02	BREATHER/DRAIN-EXP PROOF-.250-18 PTF AIS	2.000 ea
609158001E	SLGR - 400	1.000 ea
603284001Y	SLGR - 400	1.000 ea
089416503B	G400 BRKT MCHG 6316 BE OR FE TACONITE	1.000 ea
415072001B	CLAMP	1.000 ea
083198101A	G400 STD FAN COVER MACHINING	1.000 ea
034180012DA	KEY 1X4X1/4X1-1/2 L	1.000 ea
078550001H	FAN KB 120/60 360	1.000 ea
004824015A	GREASE POLYREX EM	0.880 lb
032130022GB	HSHCS 7/8-9X2-3/4 PLTD.	4.000 ea
032018008CK	HHCS 3/8-16X1L PLATED	4.000 ea
032018024CK	HHCS 3/8-16X3 PLTD.	3.000 ea
415096002A	CPLG 1/8 HEX TYPE	1.000 ea
415044051AX	SLINGER,DE 6316 G400	1.000 ea
410700000DA	WAVY SPRING WASHER	1.000 ea
034000014AB	WSH ID.406 OD.812 TH.065	4.000 ea
034530052AB	P/NIP 1/8X6-1/2 Zinc	1.000 ea
034530056BB	P/NIP 1/4X7 SCHED 40	1.000 ea
032620016KB	HSHSS; 1/4X1/2	2.000 ea
034690001AB	1/8" NPT SQHDPLG	1.000 ea
034631002AB	BUSH 1/4 TO 1/8 PLTD.	1.000 ea
034690002AB	PPLG 1/4" PLTD.	1.000 ea



089416503B	G400 BRKT MCHG 6316 BE OR FE TACONITE	1.000 ea
032018024CK	HHCS 3/8-16X3 PLTD.	3.000 ea
415044051AX	SLINGER,DE 6316 G400	1.000 ea
034017014AB	LCKW 3/8 STD. PLATED	3.000 ea
032620016KB	HSHSS; 1/4X1/2	1.000 ea
034530024AB	PNIPL 1/8X3L PLATED	1.000 ea
415096002A	CPLG 1/8 HEX TYPE	1.000 ea
032130024GB	HSHCS 7/8-9NC X 3" LONG PLATED	4.000 ea
16CB1001A01	CONDUIT BOX MACH GRP C MTRS 16CB1001	1.000 ea
16CB1501A01	CONDUIT BOX LID MACH.GRP C MTRS 16CB1501	1.000 ea
418150003A	GREASE FITTING CAP	1.000 ea
406055001D	GRFTG	1.000 ea
034017018AB	5/8 MED LOCK WASHER ZP (034017018AF)	8.000 ea
034017014AB	LCKW 3/8 STD. PLATED	4.000 ea
035000001A	ALFTG 1/8" 1610-BL	1.000 ea
035000001A	ALFTG 1/8" 1610-BL	1.000 ea
032130016EB	HSHCS 5/8-11X2 PLTD.	8.000 ea
047024002J	TERMINAL LUG - MAKE FROM 047024002F	1.000 ea
406099000A	PLUG - FAN COVER 320-440	1.000 ea
032018008DK	HHCS 1/2-13X1 PLATED	1.000 ea
034017016AB	LCKW 1/2" PLATED	1.000 ea
032130014CB	HSHCS 3/8-16X1-3/4 PLTD.	4.000 ea
406055001D	GRFTG	1.000 ea
418150003A	GREASE FITTING CAP	1.000 ea
MG1025G29	WILKOFAS, 789.229, DARK CHARCOAL GRAY	0.375 ga
033775004EA	DRSCR #6-1/4 304 S.S.	8.000 ea
034180045JA	KEY,DE	1.000 ea
604797045	STD. 400 FRAME SKID	1.000 ea
032510024D	CARRIAGE BOLT - 444	2.000 ea
034001014AB	FLAT WASHER 3/8"PLATED	2.000 ea
034001016AB	WSHR .562ID 1.375OD .109	2.000 ea
033300014AC	HEX NUT, SHIPPING - 400	2.000 ea
604799003C	PLASTIC BAG 42X32X46	1.000 ea

617433-605

# DUTY MASTER ALTERNATING CURRENT MOTORS

SQUIRREL-CAGE INDUCTION

**FRAME G405T**

ENCLOSURE: X/P, UNDERWRITERS LISTED

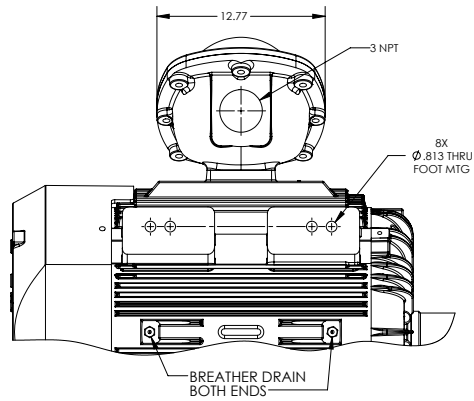
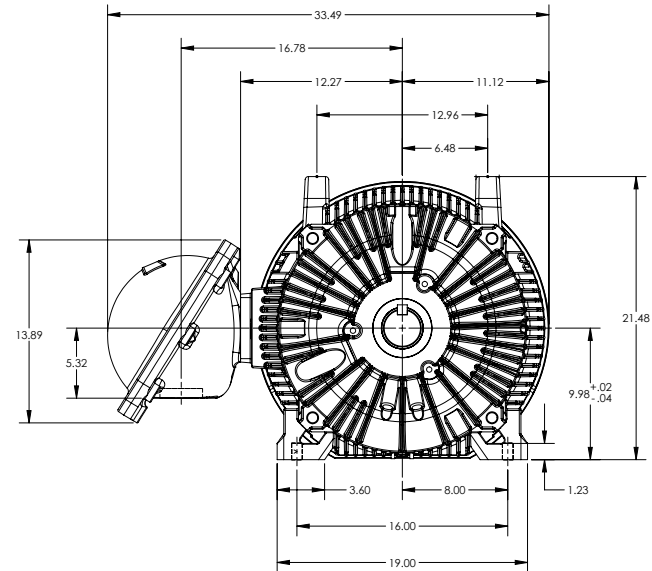
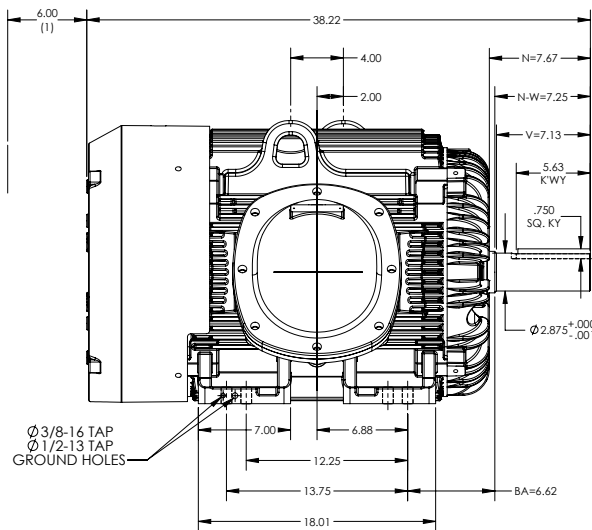
INCLUDES 404T FRAME MOUNTING HOLES  
STD CAST IRON C/BOX

COOLING: FAN COOLED

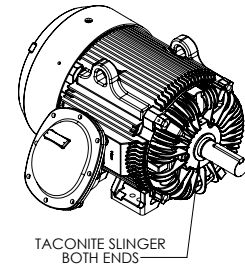
MOUNTING: FOOT, F-1

CL1-GROUP C&D - CL2-GROUP E,F & G

ENCLOSURE ENHANCEMENT: SEVERE DUTY



(1) OBSTRUCTION MUST NOT ENCR OACH AIR INLET  
IF MOUNTING CLEARANCE DETAILS ARE REQUIRED, CONSULT FACTORY.  
MAXIMUM PERMISSIBLE SHAFT RUNOUT WHEN MEASURED AT END OF STANDARD SHAFT EXTENSION IS .003 MAX. T.I.R.  
WEIGHT: 1400 LBS  $\pm$ 15% DEPENDING ON RATING.



DIMENSIONS ARE IN INCHES.  
CUSTOMER IS RESPONSIBLE FOR DETERMINING THAT MOTOR PERFORMANCE IS SUITABLE IN THE APPLICATION.

SHEET NUMBER  
**1 OF 1**  
S09-EEZL19

REV. DESC: NEW	VERSION: 00	REVISED: 02-31-08 02-07-2019	TDR: 000001098248
MODEL NO. 617433-605	REF: -	Material: -	
BY: RAGSS1			

**BALDOR**

G405T-404T XP F1 FT-CL1 GRP C&D - CL2 GRP E,F&G

617433-605

# CONNECTION DIAGRAM ACCESSORIES

MOTOR WINDING THERMOSTATS	
CONTACTS _____ @ _____ °C	
FIGURE NUMBER _____	
CONTACT RATING	
VOLTS	CONTINUOUS AMPERES
110-120	3.0
220-240	1.5
440-480	0.75
550-600	0.60
	INRUSH AMPERES
	30
	15
	7.5
	6.0

NORMALLY CLOSED	THERMOSTATS	NORMALLY OPEN
<p>FIGURE 1</p>		<p>FIGURE 4</p>
<p>FIGURE 2</p>		<p>FIGURE 5</p>
<p>FIGURE 3</p>		<p>FIGURE 6</p>
<p>FIGURE 7</p>		<p>FIGURE 8</p>

CUSTOMER \_\_\_\_\_ CUSTOMER ORDER NO. \_\_\_\_\_ S.O. NO. \_\_\_\_\_

418174-006

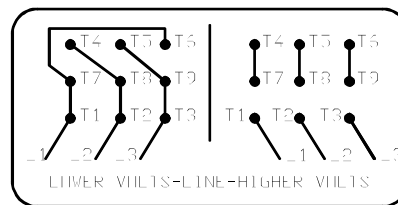
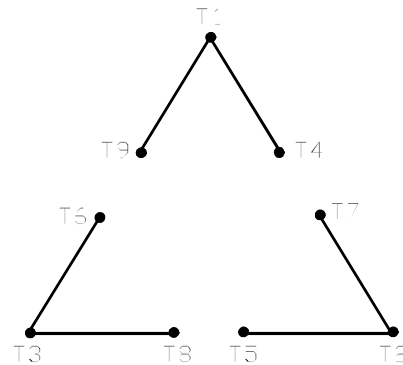
418174-006

REV. DESC: LOADED TO BUS		
REV. LTR: A	VERSION: 01	TDR: 000000570390
FILE: \RAG\00013\849	REVISED: 10:16:21 12/07/2010	BY: RAGDRF
MTL: -		

**BALDOR**  
A-C MOTOR CONNECTION ACCESSORIES  
SH 1 of 1

416820-002

A-C MOTOR  
 CONNECTION DIAGRAM  
 STANDARD 9 LEAD DELTA-CONNECTED



(N.P. 1575-B)

416820-002

REV. DESC: FONT CHANGE FOR PDF SEARCHABLE		
REV. LTR: A	VERSION: 01	TDR: 000001009382
FILE: \MGA\00000\661	REVISED: 02:46:19 02/13/2020	BY: MGHMTT
MTL: -	© □	

**BALDOR - RELIANCE®**

CONN DIAG - STANDARD 9 LEAD, DELTA-CONNECTED

SH 1 of 1