

**BALDOR • RELIANCE**

---

# Customer information packet

## CPX441546T

150//125HP, 1785//1485RPM, 3PH, 60//50HZ, 44

Class - CLI GP C,D; CLII GP E,F,G

Division - Division I

## Specifications

Enclosure	TEFC
Frame	445T
Frame Material	Iron
Frequency	60.00 Hz
Motor Letter Type	Three Phase
Output @ Frequency	150.000 HP @ 60 HZ
Phase	3
Synchronous Speed @ Frequency	1800 RPM @ 60 HZ
Voltage @ Frequency	460.0 V @ 60 HZ
XP Class and Group	CLI GP C,D; CLII GP E,F,G
XP Division	Division I
Agency Approvals	CCSA US CSA CSA EEV UL
Ambient Temperature	40 °C
Auxillary Box	No Auxillary Box
Base Indicator	Rigid
Bearing Grease Type	Polyrex EM (-20F +300F)
Constant Torque Speed Range	10-60
Current @ Voltage	169.000 A @ 460.0 V
Design Code	B
Drip Cover	No Drip Cover
Duty Rating	CONT
Efficiency @ 100% Load	95.8 %
Enclosure Modification	Severe Duty Features
Feedback Device	NO FEEDBACK
Heater Indicator	No Heater
High Voltage Full Load Amps	169.0 a
Insulation Class	F
Inverter Code	Inverter Ready
IP Rating	IP55

## Part detail

Revision	C
Type	AC
Mech. spec.	
Base	
Status	PRD/A
Elec. spec.	A44WG3335
Layout	617426-350
Eff. date	04-02-2019
CD Diagram	416820-036
Poles	04
Leads	3#1/0
Proprietary	False
Created date	02-13-2019

<b>KVA Code</b>	F
<b>Max Speed</b>	3600 rpm
<b>Motor Lead Quantity/Wire Size</b>	3 @ 1/0 AWG
<b>Motor Standards</b>	NEMA
<b>Motor Type</b>	A4488M
<b>Mounting Arrangement</b>	F1
<b>Number of Poles</b>	4
<b>Overall Length</b>	44.97 IN
<b>Power Factor</b>	86
<b>Product Family</b>	General Industrial
<b>Pulley End Bearing Type</b>	Ball
<b>Pulley Face Code</b>	Standard
<b>Service Factor</b>	1.15
<b>Shaft Diameter</b>	3.375 IN
<b>Shaft Ground Indicator</b>	No Shaft Grounding
<b>Shaft Rotation</b>	Reversible
<b>Shaft Slinger Indicator</b>	Shaft Slinger
<b>Speed</b>	1785 rpm
<b>Speed Code</b>	Single Speed
<b>Starting Method</b>	Direct on line
<b>Thermal Device - Bearing</b>	None
<b>Thermal Device - Winding</b>	Normally Closed Thermostat
<b>XP Temp Code</b>	T3C

**Nameplate**

---

NP2496L	
MOBIL POLYREX EM	

---

---

**000613006PC**

---

**CLASS I GROUP** C D X **NO.****CLASS II GROUP** E F G**OPERATING TEMP CODE** T3C

---

---

**000901002AAA**

---

SUIT @ 55C AMB AT 1.00 SF AT S	INEWAVE

**NP3140L**

<b>SPEC NO.</b>	A44-9214-3335	<b>CAT.NO.</b>	CPX441546T	<b>FRAME</b>	445T
<b>HP</b>	150	<b>VOLTS</b>	460	<b>PHASE</b>	3
<b>RPM</b>	1785	<b>AMPS</b>	169	<b>HZ</b>	60
<b>DRIVE END BEARING</b>	90BC03J30X	<b>DUTY</b>	CONT	<b>INSUL.CLASS</b>	F
<b>OPP D.E. BEARING</b>	90BC03J30X	<b>ENCL</b>	TEFC	<b>CODE</b>	F
<b>SF</b>	1.15	<b>WK2</b>	51.05	<b>MAG CUR</b>	48.9
<b>CT HZ</b>	10-60	<b>VT HZ</b>	0-60	<b>CHP HZ</b>	60-90
	IP66			<b>RPM MAX</b>	3600
<b>SER.NO.</b>		<b>MOTOR WEIGHT</b>		<b>NEMA-NOM-EFF</b>	95.8

## Parts list

Part number	Description	Quantity
SA366135	SA A44-9214-3335	1.000 ea
RA355541	RA A44-9214-3335	1.000 ea
421948051	LABEL, MYLAR	1.000 ea
NP2496L	MOTOR LUBE NAMEPLATE	1.000 ea
000692000FF	N/P	1.000 ea
000692000VD	LABEL WARNING	1.000 ea
LB1073	ALUM XP CAUTION LABEL	1.000 ea
000613006PC	N/P U/L (REL QTY 500)	1.000 ea
000901002AAA	N/P BLANK (RELEASE QTY 1,500)	1.000 ea
NP3140L	INVERTER DUTY, SS, CC, CSA-C US, CSA EEV	1.000 ea
HW4505A02	BREATHER/DRAIN-EXP PROOF-.250-18 PTF AIS	2.000 ea
609158001D	SLGR - 440	1.000 ea
603284001W	SLGN - 449	1.000 ea
089448117E	G28 XP FT MT DE BRKT GRP E 0894480116WCB	1.000 ea
415072001B	CLAMP	1.000 ea
083199082RA	G28 SHORT FAN COVER W/BAFFLE ASSEMBLY	1.000 ea
034180014DA	KEY 1/4X1/4X1-3/4 L	1.000 ea
078548001R	FAN KB 234/150 (84) 400	1.000 ea
004824015A	GREASE POLYREX EM	1.160 lb
032130024HB	HSHCS 1-8X3" PLATED	4.000 ea
032018008CK	HHCS 3/8-16X1L PLATED	4.000 ea
032018028DK	HHCS 1/2-13X3-1/2 PLTD.	3.000 ea
415096002A	CPLG 1/8 HEX TYPE	1.000 ea
034630002AB	CPLG 1/4" PLATED	1.000 ea
415044053AX	SLINGER,DE 6318 G440	1.000 ea
410700004A	WSHR	1.000 ea
034017014AB	LCKW 3/8 STD. PLATED	4.000 ea
034017016AB	LCKW 1/2" PLATED	1.000 ea
034530064BB	P/NIP 1/4X8 PLATED	1.000 ea
034530064AB	P/NIP 1/8 X 8" L Pipe Nipple	1.000 ea
032620016KB	HSHSS; 1/4X1/2	2.000 ea



034690002AB	PPLG 1/4" PLTD.	1.000 ea
032620016LA	SOCKET SET SCREW-449	3.000 ea
034690002AB	PPLG 1/4" PLTD.	1.000 ea
089448117E	G28 XP FT MT DE BRKT GRP E 0894480116WCB	1.000 ea
032018028DK	HHCS 1/2-13X3-1/2 PLTD.	3.000 ea
415044053AX	SLINGER,DE 6318 G440	1.000 ea
034017016AB	LCKW 1/2" PLATED	3.000 ea
032620016KB	HSRSS; 1/4X1/2	2.000 ea
034530044AB	P/NIP 1/8X5-1/2L GALV.	1.000 ea
415096002A	CPLG 1/8 HEX TYPE	1.000 ea
032130024HB	HSHCS 1-8X3" PLATED	4.000 ea
18CB1004A01	STD CONDUIT BOX 444-449T 318 EXPL PROOF	1.000 ea
18CB1504A01	STD CONDUIT BOX LID 444-449T 318 EXPL PR	1.000 ea
418150003A	GREASE FITTING CAP	1.000 ea
406055001C	GRFTG	1.000 ea
034017018AB	5/8 MED LOCK WASHER ZP (034017018AF)	10.000 ea
034017018AB	5/8 MED LOCK WASHER ZP (034017018AF)	4.000 ea
035000001A	ALFTG 1/8" 1610-BL	1.000 ea
032130016EB	HSHCS 5/8-11X2 PLTD.	10.000 ea
047024002J	TERMINAL LUG - MAKE FROM 047024002F	1.000 ea
406099000A	PLUG - FAN COVER 320-440	1.000 ea
032018008DK	HHCS 1/2-13X1 PLATED	1.000 ea
034017016AB	LCKW 1/2" PLATED	1.000 ea
032130020EB	HSHCS 5/8-11X2-1/2PLTD.	4.000 ea
406055001D	GRFTG	1.000 ea
035000001A	ALFTG 1/8" 1610-BL	1.000 ea
418150003A	GREASE FITTING CAP	1.000 ea
MG1025G29	WILKOFAS, 789.229, DARK CHARCOAL GRAY	0.440 ga
033775004EA	DRSCR #6-1/4 304 S.S.	2.000 ea
034180055KA	KEY;DE	1.000 ea
604797045	STD. 400 FRAME SKID	1.000 ea
032510024D	CARRIAGE BOLT - 444	2.000 ea
034001016AB	WSHR .562ID 1.375OD .109	2.000 ea
034001014AB	FLAT WASHER 3/8"PLATED	2.000 ea

033300014AC

HEX NUT, SHIPPING - 400

2.000 ea

604799003C

PLASTIC BAG 42X32X46

1.000 ea

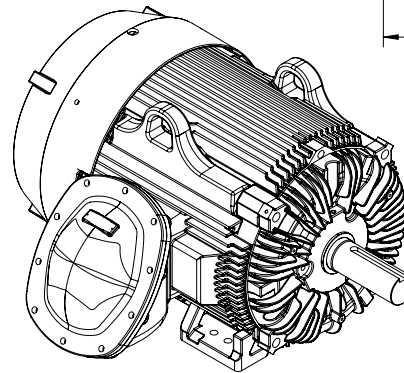
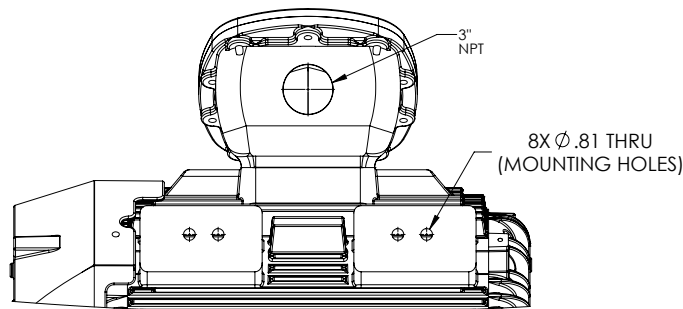
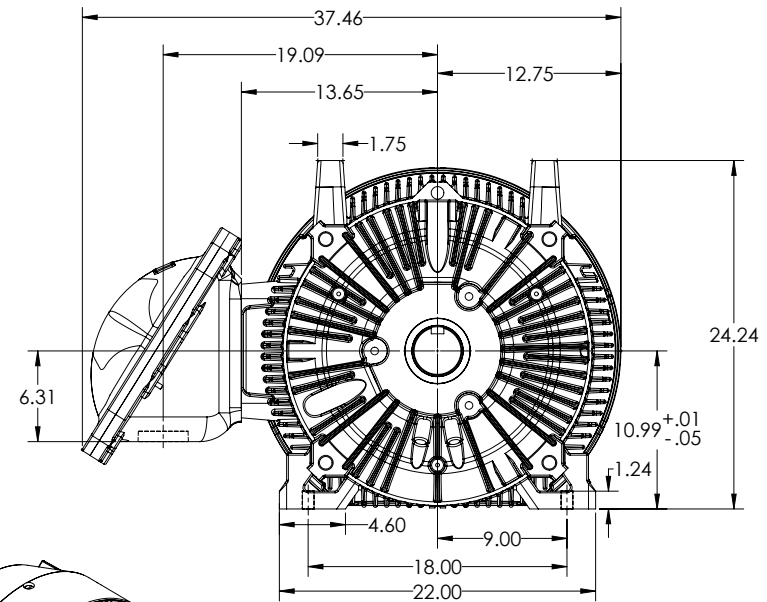
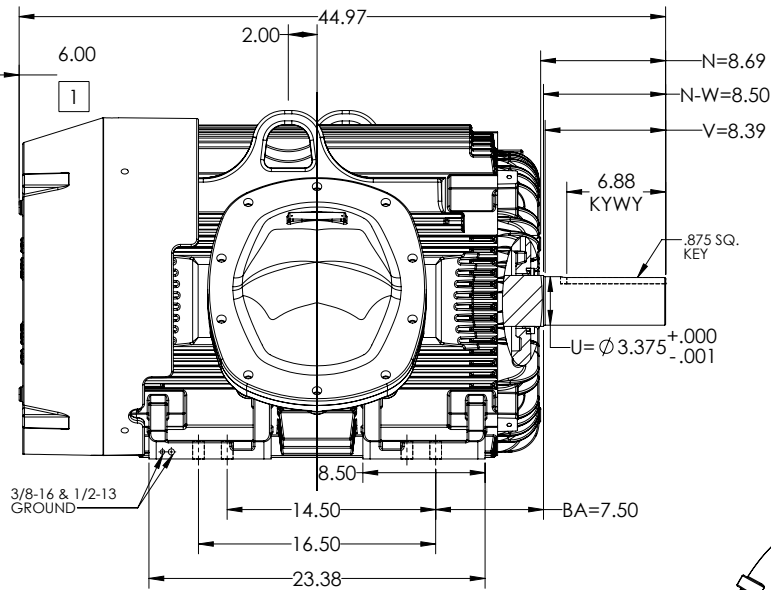
617426-350

**DUTY MASTER ALTERNATING CURRENT MOTORS**  
SQUIRREL-CAGE INDUCTION

ENCLOSURE: UL LISTED MOTOR  
MOUNTING: F-1 FOOT

G444T/G445T FRAME MOUNTING HOLES  
CLASS 1: GR. C&D, CLASS 2: GR. E,F,&G

ENCLOSURE ENHANCEMENT: SEVERE DUTY  
COOLING: FAN COOLED



DIMENSIONS ARE IN INCHES.  
WEIGHT (LBS): 2150. WEIGHTS MAY VARY BY 15% DEPENDING ON RATING.  
CUSTOMER IS RESPONSIBLE FOR DETERMINING THAT MOTOR PERFORMANCE IS SUITABLE IN THE APPLICATION.

SHEET NUMBER  
**1 OF 1**  
051-927219

**1** OBSTRUCTION MUST NOT ENCR OACH ON AIR INLET MOTOR.

IF MOUNTING CLEARANCE DETAILS ARE REQUIRED, CONSULT FACTORY.  
MAX PERMISSIBLE SHAFT RUNOUT WHEN MEASURED AT END OF STANDARD SHAFT EXTENSION IS .003\"/>

REV. DESC: NEW	VERSION: 00	REVISED: 02-20-28 02/12/2019	TDR: 000001098250
MODEL NO. 617426-350	BY: RAGSS1	Material:	REF:

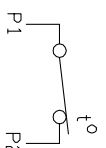
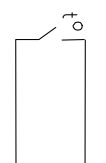
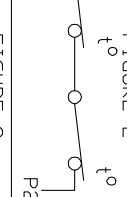
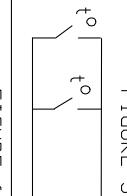
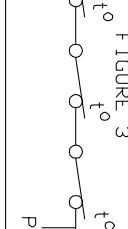
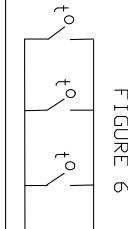
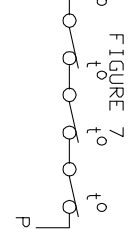
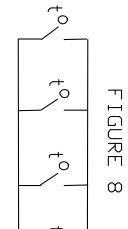
**BALDOR**

G44544T TEFC XP F1 FT-CL-CB - CL.1 GR.C&D CL.2 GR.E,F&G

617426-350

# CONNECTION DIAGRAM ACCESSORIES

MOTOR WINDING THERMOSTATS	
CONTACTS _____ @ _____ °C	
FIGURE NUMBER _____	
CONTACT RATING	
VOLTS	CONTINUOUS AMPERES
110-120	3.0
220-240	1.5
440-480	0.75
550-600	0.60
	INRUSH AMPERES
	30
	15
	7.5
	6.0

NORMALLY CLOSED	THERMOSTATS	NORMALLY OPEN
 <p>FIGURE 1</p>		 <p>FIGURE 4</p>
 <p>FIGURE 2</p>		 <p>FIGURE 5</p>
 <p>FIGURE 3</p>		 <p>FIGURE 6</p>
 <p>FIGURE 7</p>		 <p>FIGURE 8</p>

CUSTOMER \_\_\_\_\_ CUSTOMER ORDER NO. \_\_\_\_\_ S.O. NO. \_\_\_\_\_

418174-006

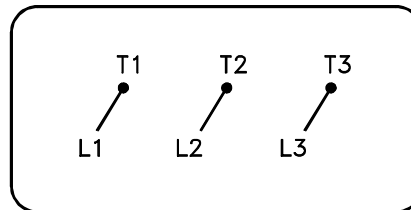
418174-006

REV. DESC: LOADED TO BUS		
REV. LTR: A	VERSION: 01	TDR: 000000570390
FILE: \RAG\00013\849	REVISED: 10:16:21 12/07/2010	BY: RAGDRF
MTL: -		

**BALDOR**  
A-C MOTOR CONNECTION ACCESSORIES  
SH 1 of 1

416820-036

A-C MOTOR  
CONNECTION DIAGRAM  
STANDARD 3 LEAD CONNECTED



(N.P. 1575-BA)

416820-036

REV. DESC: LOADED TO BUS, C/R 335225		
REV. LTR: -	VERSION: 00	TDR: 000000538207
FILE: \MGA\00000\682	REVISED: 11: 54: 06 04/30/2010	
MTL: -	BY: RAGRA	

**BALDOR**

CONN DIAG - STANDARD 3 LEAD  
SH 1 of 1