



---

# Customer information packet

## CPX442546T

250HP, 1785RPM, 3PH, 60HZ, 449T, TEFC, F1

Class - CLI GP C,D; CLII GP E,F,G

Division - Division I

## Specifications

Enclosure	TEFC
Frame	449T
Frame Material	Iron
Frequency	60.00 Hz
Motor Letter Type	Three Phase
Output @ Frequency	250.000 HP @ 60 HZ
Phase	3
Synchronous Speed @ Frequency	1800 RPM @ 60 HZ
Voltage @ Frequency	460.0 V @ 60 HZ
XP Class and Group	CLI GP C,D; CLII GP E,F,G
XP Division	Division I
Agency Approvals	UL CSA
Ambient Temperature	40 °C
Auxillary Box	No Auxillary Box
Base Indicator	Rigid
Bearing Grease Type	Polyrex EM (-20F +300F)
Constant Torque Speed Range	10-60
Current @ Voltage	271.000 A @ 460.0 V
Design Code	B
Drip Cover	No Drip Cover
Duty Rating	CONT
Efficiency @ 100% Load	96.2 %
Enclosure Modification	Severe Duty Features
Feedback Device	NO FEEDBACK
Heater Indicator	No Heater
High Voltage Full Load Amps	271.0 a
Insulation Class	F
Inverter Code	Inverter Ready
IP Rating	IP55
KVA Code	G
Max Speed	3600 rpm

## Part detail

Revision	-
Type	AC
Mech. spec.	
Base	
Status	PRD/A
Elec. spec.	A44WG3311
Layout	617426-329
Eff. date	05-01-2019
CD Diagram	416820-036
Poles	04
Leads	3#2/0 (02 per group)
Proprietary	False
Created date	04-29-2019

<b>Motor Lead Quantity/Wire Size</b>	6 @ 2/0 AWG
<b>Motor Standards</b>	NEMA
<b>Motor Type</b>	A44160M
<b>Mounting Arrangement</b>	F1
<b>Number of Poles</b>	4
<b>Overall Length</b>	53.47 IN
<b>Power Factor</b>	90
<b>Product Family</b>	General Industrial
<b>Pulley End Bearing Type</b>	Ball
<b>Pulley Face Code</b>	Standard
<b>Service Factor</b>	1.00
<b>Shaft Diameter</b>	3.375 IN
<b>Shaft Ground Indicator</b>	No Shaft Grounding
<b>Shaft Rotation</b>	Reversible
<b>Shaft Slinger Indicator</b>	Shaft Slinger
<b>Speed</b>	1785 rpm
<b>Speed Code</b>	Single Speed
<b>Starting Method</b>	Direct on line
<b>Thermal Device - Bearing</b>	None
<b>Thermal Device - Winding</b>	Normally Closed Thermostat
<b>XP Temp Code</b>	T3C

**Nameplate**

NP2496L	
MOBIL POLYREX EM	

---

**000613006PC**

---

<b>CLASS I GROUP</b>	C D X	<b>NO.</b>	
<b>CLASS II GROUP</b>	E F G		
<b>OPERATING TEMP CODE</b>	T3C		

---

---

**000901002AAA**

---

SUITABLE FOR 55C AMB AT 1.00 S

F AT SINEWAVE



---

**NP3140L**

<b>SPEC NO.</b>	A44-8829-3311	<b>CAT.NO.</b>	CPX442546T	<b>FRAME</b>	449T
<b>HP</b>	250	<b>VOLTS</b>	460	<b>PHASE</b>	3
<b>RPM</b>	1785	<b>AMPS</b>	271	<b>HZ</b>	60
<b>DRIVE END BEARING</b>	90BC03J30X	<b>DUTY</b>	CONT	<b>INSUL.CLASS</b>	F
<b>OPP D.E. BEARING</b>	90BC03J30X	<b>ENCL</b>	TEFC	<b>CODE</b>	G
<b>SF</b>	1.15	<b>WK2</b>	107.2813	<b>MAG CUR</b>	54.9
<b>CT HZ</b>	10-60	<b>VT HZ</b>	0-60	<b>CHP HZ</b>	60-90
	IP66			<b>RPM MAX</b>	3600
<b>SER.NO.</b>		<b>MOTOR WEIGHT</b>	3027	<b>NEMA-NOM-EFF</b>	96.2

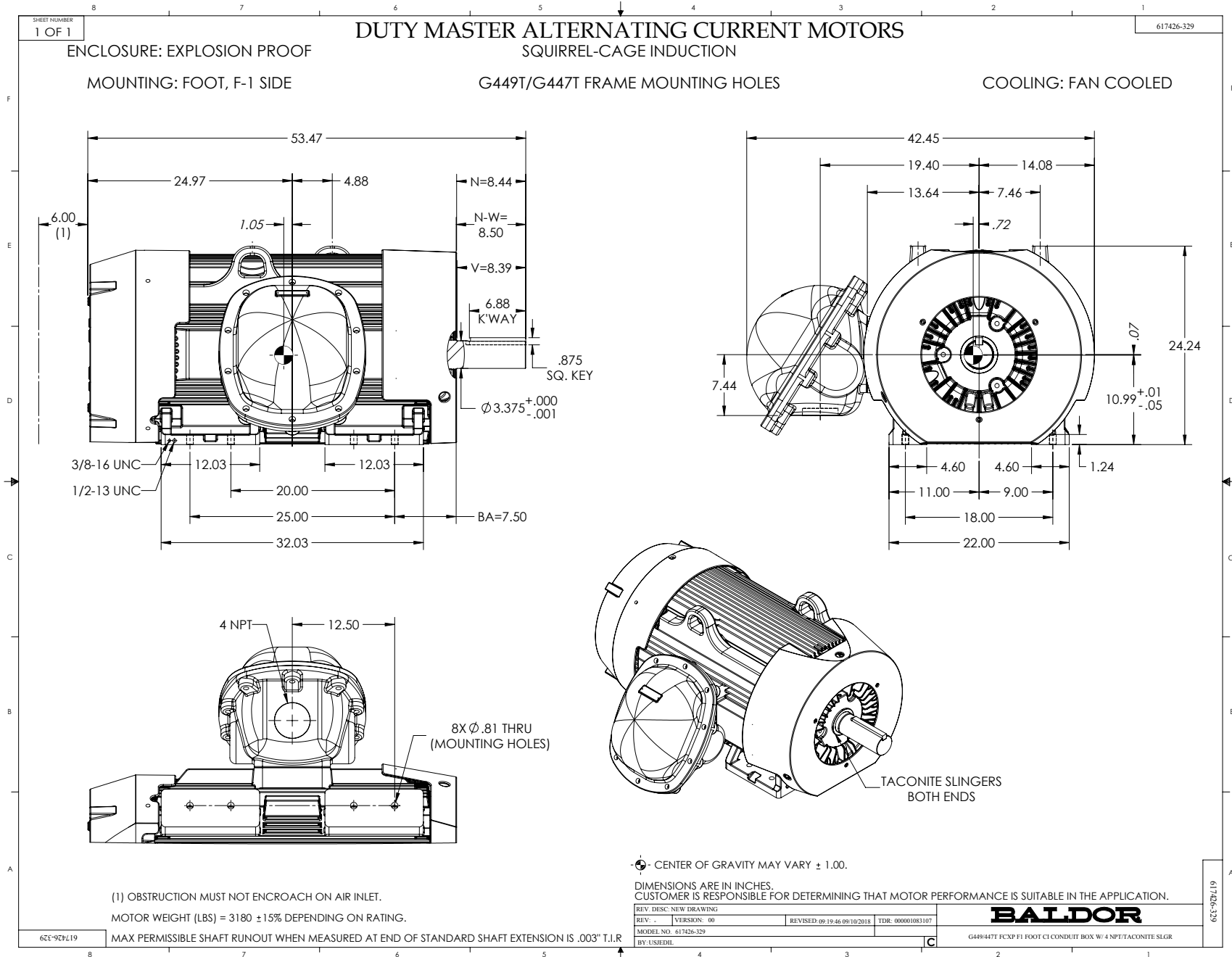
## Parts list

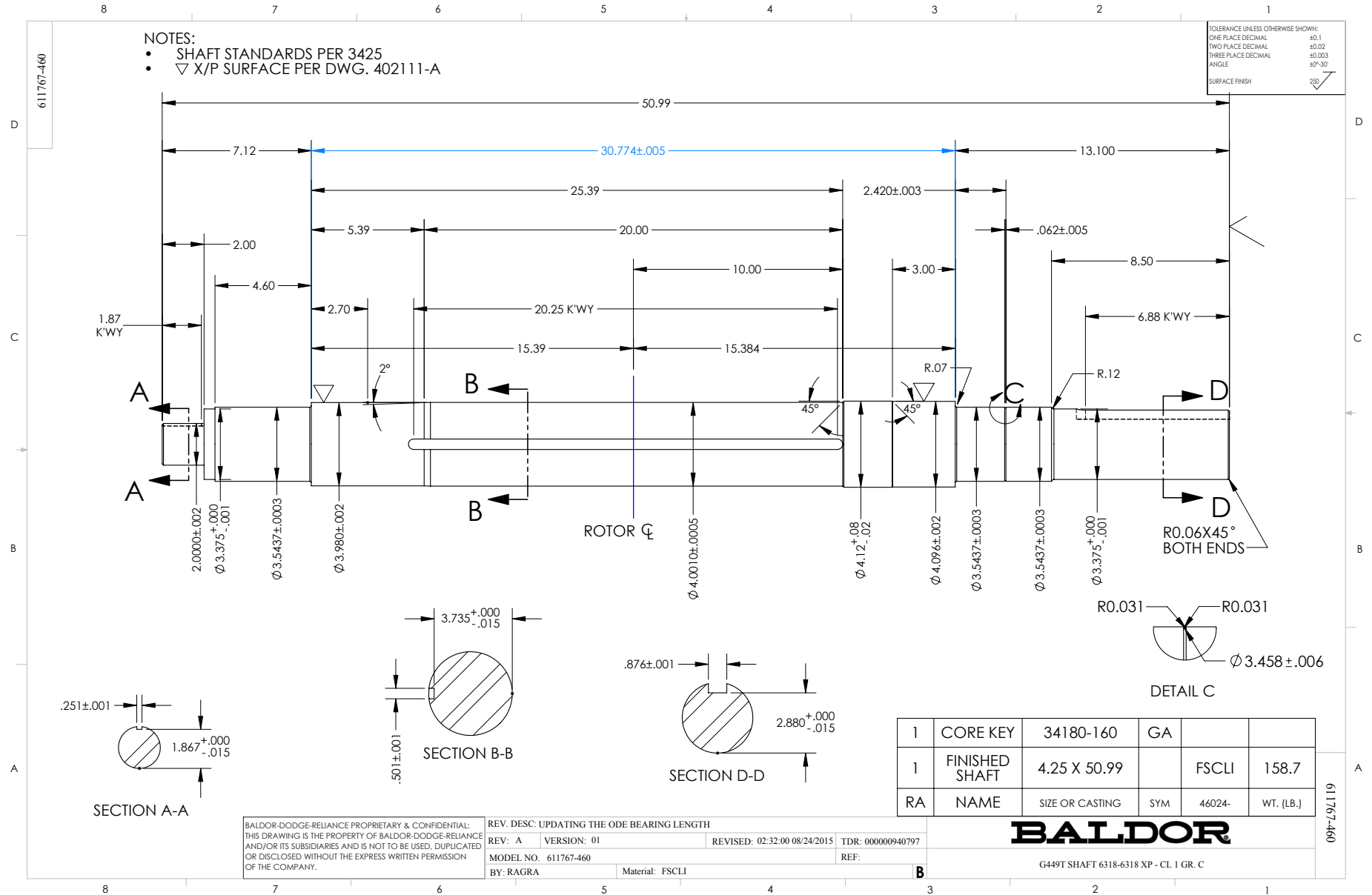
Part number	Description	Quantity
SA368964	SA A44-8829-3311	1.000 ea
RA358501	RA A44-8829-3311	1.000 ea
421948051	LABEL, MYLAR	1.000 ea
NP2496L	MOTOR LUBE NAMEPLATE	1.000 ea
000692000VD	LABEL WARNING	1.000 ea
LB1073	ALUM XP CAUTION LABEL	1.000 ea
000613006PC	N/P U/L (REL QTY 500)	1.000 ea
000901002AAA	N/P BLANK (RELEASE QTY 1,500)	1.000 ea
NP3140L	INVERTER DUTY, SS, CC, CSA-C US, CSA EEV	1.000 ea
HW4505A02	BREATHER/DRAIN-EXP PROOF-.250-18 PTF AIS	2.000 ea
609158001D	SLGR - 440	1.000 ea
603284001W	SLGN - 449	1.000 ea
089448117E	G28 XP FT MT DE BRKT GRP E 0894480116WCB	1.000 ea
415072001B	CLAMP	1.000 ea
083199082RA	G28 SHORT FAN COVER W/BAFFLE ASSEMBLY	1.000 ea
034180014DA	KEY 1/4X1/4X1-3/4 L	1.000 ea
078549001DA	FAN 400 078549001F	1.000 ea
004824015A	GREASE POLYREX EM	1.160 lb
032130024HB	HSHS 1-8X3" PLATED	4.000 ea
032018008CK	HHCS 3/8-16X1L PLATED	4.000 ea
032018028DK	HHCS 1/2-13X3-1/2 PLTD.	3.000 ea
415096002A	CPLG 1/8 HEX TYPE	1.000 ea
034630002AB	CPLG 1/4" PLATED	1.000 ea
415044053AX	SLINGER,DE 6318 G440	1.000 ea
410700004A	WSHR	1.000 ea
034017014AB	LCKW 3/8 STD. PLATED	4.000 ea
034017016AB	LCKW 1/2" PLATED	1.000 ea
034530064AB	P/NIP 1/8 X 8" L Pipe Nipple	1.000 ea
034530064BB	P/NIP 1/4X8 PLATED	1.000 ea
032620016KB	HSHSS; 1/4X1/2	2.000 ea
034690002AB	PPLG 1/4" PLTD.	1.000 ea



032620016LA	SOCKET SET SCREW-449	3.000 ea
418151014G	RETAIN RING	1.000 ea
034690002AB	PPLG 1/4" PLTD.	1.000 ea
702623018B	BRKT MOUNTED G28 XP T-BARRIER - 6318 BRG	1.000 ea
032018006BK	HHCS 5/16-18X3/4 PLATED	3.000 ea
034017013AB	LCKW 5/16 STD. PLATED	3.000 ea
089448117E	G28 XP FT MT DE BRKT GRP E 0894480116WCB	1.000 ea
032018030DK	HHCS 1/2-13X3-3/4 PLTD.	3.000 ea
415044053AX	SLINGER,DE 6318 G440	1.000 ea
034017016AB	LCKW 1/2" PLATED	3.000 ea
032620016KB	HSRSS; 1/4X1/2	2.000 ea
034530064AB	P/NIP 1/8 X 8" L Pipe Nipple	1.000 ea
034530064BB	P/NIP 1/4X8 PLATED	1.000 ea
415096002A	CPLG 1/8 HEX TYPE	1.000 ea
034631002AB	BUSH 1/4 TO 1/8 PLTD.	1.000 ea
032130024HB	HSHCS 1-8X3" PLATED	4.000 ea
032018006BK	HHCS 5/16-18X3/4 PLATED	3.000 ea
034017013AB	LCKW 5/16 STD. PLATED	3.000 ea
702623022A	G28 AIR DEFLECTOR DRIVE END -- PLASTIC	1.000 ea
18CB1005A09	CONDUIT BOX 444-9T XP W/(1)4"NPT	1.000 ea
18CB1505A01	STD CONDUIT BOX LID 444-449T 318 EXPL PR	1.000 ea
418150003A	GREASE FITTING CAP	1.000 ea
406055001D	GRFTG	1.000 ea
034017020AB	LWSHR 3/4" PLATED (419136) 034017020AF	10.000 ea
034017018AB	5/8 MED LOCK WASHER ZP (034017018AF)	4.000 ea
035000001A	ALFTG 1/8" 1610-BL	1.000 ea
032130020FB	HSHCS 3/4-10X2-1/2L PLTD	10.000 ea
415000115H	T/LUG #2AWG-4/0AWG	1.000 ea
406099000A	PLUG - FAN COVER 320-440	1.000 ea
032018008DK	HHCS 1/2-13X1 PLATED	1.000 ea
034017016AB	LCKW 1/2" PLATED	1.000 ea
032130020EB	HSHCS 5/8-11X2-1/2PLTD.	4.000 ea
406055001D	GRFTG	1.000 ea
035000001A	ALFTG 1/8" 1610-BL	1.000 ea

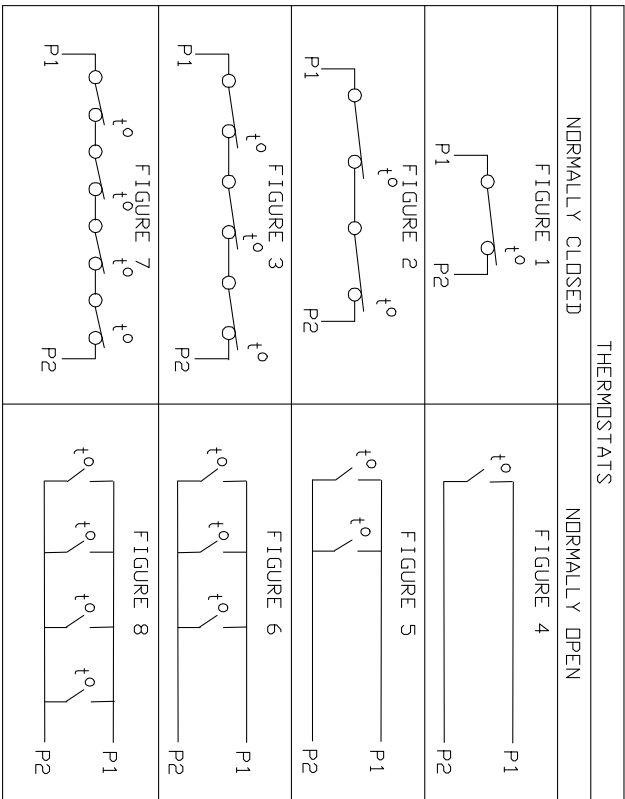
418150003A	GREASE FITTING CAP	1.000 ea
MG1025G05	WILKOFAST, 789.227, MED. GRAY CHAR. MET.	0.500 ga
033775004EA	DRSCR #6-1/4 304 S.S.	2.000 ea
034180054KA	7/8 SQ X 6.75 KEY	1.000 ea
604797032	447/449 WIDE SHIPPING SKID 70" X 55"	1.000 ea
032510026D	CARRIAGE BOLT - 440	2.000 ea
034001014AB	FLAT WASHER 3/8"PLATED	2.000 ea
034001016AB	WSHR .562ID 1.375OD .109	2.000 ea
033300014AC	HEX NUT, SHIPPING - 400	2.000 ea
604799003C	PLASTIC BAG 42X32X46	1.000 ea





# CONNECTION DIAGRAM ACCESSORIES

MOTOR WINDING THERMOSTATS	
CONTACTS _____ @ _____ °C	
FIGURE NUMBER _____	
CONTACT RATING	
VOLTS	CONTINUOUS AMPERES
110-120	3.0
220-240	1.5
440-480	0.75
550-600	0.60
	INRUSH AMPERES
	30
	15
	7.5
	6.0



CUSTOMER \_\_\_\_\_ CUSTOMER ORDER NO. \_\_\_\_\_ S.O. NO. \_\_\_\_\_

418174-006

418174-006

REV. DESC: LOADED TO BUS		
REV. LTR: A	VERSION: 01	TDR: 00000570390
FILE: \RAG\00013\849	REVISED: 10:16:21 12/07/2010	BY: RAGDRF
MTL: -		

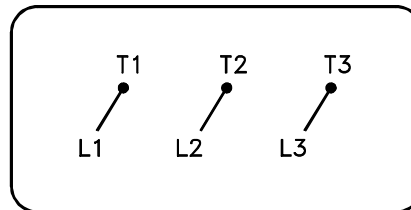
**BALDOR**

A-C MOTOR CONNECTION ACCESSORIES

SH 1 of 1

416820-036

A-C MOTOR  
CONNECTION DIAGRAM  
STANDARD 3 LEAD CONNECTED



(N.P. 1575-BA)

416820-036

REV. DESC: LOADED TO BUS, C/R 335225		
REV. LTR: -	VERSION: 00	TDR: 000000538207
FILE: \MGA\00000\682	REVISED: 11: 54: 06 04/30/2010	
MTL: -	BY: RAGRA	

**BALDOR**

CONN DIAG - STANDARD 3 LEAD  
SH 1 of 1