

BALDOR® • RELIANCE 

Product Information Packet

CXM050542-57

.5HP, 1425RPM, 3PH, 50HZ, 56C, 3420M, XPFC, F1

| Part Detail | | | | | | | |
|-------------|----|-------------|------------|-------------|--------|---------------|------------|
| Revision: | A | Status: | PRD/A | Change #: | | Proprietary: | No |
| Type: | AC | Elec. Spec: | 34WGX268 | CD Diagram: | CD0022 | Mfg Plant: | |
| Mech. Spec: | | Layout: | 34LY5329 | Poles: | 04 | Created Date: | 03-30-2021 |
| Base: | | Eff. Date: | 05-18-2021 | Leads: | 6#18 | | |

| Specs | | | |
|---------------------------------|-------------------------|---------------------------|--------------------------|
| Catalog Number: | CXM050542-57 | Heater Indicator: | No Heater |
| Enclosure: | XPFC | Insulation Class: | F |
| Frame: | 56C | Inverter Code: | Not Inverter |
| Frame Material: | Steel | IP Rating: | NONE |
| Output @ Frequency: | .500 HP @ 50 HZ | KVA Code: | K |
| Synchronous Speed @ Frequency: | 1500 RPM @ 50 HZ | Lifting Lugs: | No Lifting Lugs |
| Voltage @ Frequency: | 230.0 V @ 50 HZ | Locked Bearing Indicator: | No Locked Bearing |
| | 400.0 V @ 50 HZ | Motor Lead Termination: | Flying Leads |
| XP Class and Group: | CLI GP D; CLII GP F,G | Motor Type: | 3420M |
| XP Division: | Division I | Mounting Arrangement: | F1 |
| Agency Approvals: | UL | Power Factor: | 67 |
| | CSA | Product Family: | Hazardous Location Motor |
| Auxillary Box: | No Auxillary Box | Pulley Face Code: | C-Face |
| Auxillary Box Lead Termination: | None | Rodent Screen: | None |
| Base Indicator: | Rigid | Shaft Ground Indicator: | No Shaft Grounding |
| Bearing Grease Type: | Polyrex EM (-20F +300F) | Shaft Rotation: | Reversible |
| Blower: | None | Speed Code: | Single Speed |
| Current @ Voltage: | 1.000 A @ 400.0 V | Motor Standards: | NEMA |

| | | | |
|---------------------------------------|---------------------------|------------------------------------|----------------------------|
| | 1.700 A @ 230.0 V | Starting Method: | Direct on line |
| Design Code: | B | Thermal Device - Bearing: | None |
| Drip Cover: | No Drip Cover | Thermal Device - Winding: | Normally Closed Thermostat |
| Duty Rating: | CONT | Vibration Sensor Indicator: | No Vibration Sensor |
| Electrically Isolated Bearing: | Not Electrically Isolated | Winding Thermal 1: | None |
| Feedback Device: | NO FEEDBACK | Winding Thermal 2: | None |
| | | XP Temp Code: | T3C |

| Nameplate NP1426XPSL | | | | | |
|----------------------|------------------------|--------------|----------------------|------|---|
| NO. | <input type="text"/> | CC | <input type="text"/> | | |
| SER. | <input type="text"/> | | | | |
| SPEC. | 34-0000-0409 | | | | |
| CAT.NO. | CXM050542-57 | | | | |
| HP | .5 | T. CODE | T3C | | |
| VOLTS | 230/400 | | | | |
| AMPS | 1.7/1 | | | | |
| RPM | 1425 | | | | |
| HZ | 50 | PH | 3 | | |
| SER.F. | 1.15 | DES | B | | |
| RATING | 40C AMB-CONT | | CL | F | |
| FRAME | 56C | NEMA-NOM-EFF | | 73 | |
| USABLE AT 208V | PF | | 67 | CODE | K |
| BLANK | NEMA MG-1 PART 5, IP54 | | | | |

| Parts List | | |
|---------------|--|----------|
| Part Number | Description | Quantity |
| SA392656 | SA 34-0000-0409 | 1.000 EA |
| RA383231 | RA 34-0000-0409 | 1.000 EA |
| LB1119N | WARNING LABEL | 1.000 EA |
| LC0034 | CONNECTION LABEL | 1.000 EA |
| NP1426XPSL | SS XP UL CSA CC CL-I GP-D CL-II GP-F&G | 1.000 EA |
| 85XU0407S04 | 4X1/4 U DRIVE PIN STAINLESS | 2.000 EA |
| 85XU0407S04 | 4X1/4 U DRIVE PIN STAINLESS | 4.000 EA |
| MN416A01 | TAG-INSTAL-MAINT no wire (2100/bx) 4/22 | 1.000 EA |
| NP0018W | ALUM UL XP CONDUIT BOX NAMEPLATE | 1.000 EA |
| 34FH4002A01SP | IEC FH NO GREASER PRIMED | 1.000 EA |
| 51XW1032A06 | 10-32 X .38, TAPTITE II, HEX WSHR SLTD S | 3.000 EA |
| 34FN3002A01SP | EXTERNAL FAN, PLASTIC, .637/.639 HUB W/ | 1.000 EA |
| HA3104A26 | 5/16-18 X 8.75 THRU BOLT OHIO | 4.000 EA |
| 34EP3703A01 | FR ENDPLATE, MACH XP | 1.000 EA |
| HW5100A03 | WAVY WASHER (W1543-017) | 1.000 EA |
| 34EP3705A01SP | PU ENDPLATE, MACH | 1.000 EA |
| 35CB3001A01SP | EXPL CONDUIT BOX, MACH, 1/2" PIPE TAP LE | 1.000 EA |
| HW3001B02 | BRASS CUP WASHER W/GROUND SYMBOL TAB, | 1.000 EA |
| 11XW1032G06 | 10-32 X .38, TAPTITE II, HEX WSHR SLTD U | 1.000 EA |
| HW4002A02 | 1-11.5X2LG PIPE NIPPLE (F/S) | 1.000 EA |
| 35CB3500A01SP | CONDUIT BOX LID, MACH | 1.000 EA |
| 51XN2520A16 | SCREW, HEX WS SLT, ZN, 1/4-20 X 1.00 | 4.000 EA |
| SP5037A02 | TERMINAL PLATE ASSY 556434 XP | 1.000 EA |
| 51XW0832A07 | 8-32 X .44, TAPTITE II, HEX WSHR SLTD SE | 2.000 EA |

| Parts List (continued) | | |
|-------------------------------|--|-----------------|
| Part Number | Description | Quantity |
| HA1025A13 | WSHR,FELT,.38" THICK F-26 CLASS | 1.000 EA |
| HW3021E06 | 1/8 DIA X 5/8 ROLLPIN (F/S) | 1.000 EA |
| WD1000A16 | 2-520128-2 AMP FLAG TERMINAL(4M/RL) | 8.000 EA |
| WD1000A16 | 2-520128-2 AMP FLAG TERMINAL(4M/RL) | 8.000 EA |
| MG1025G29 | WILKOFAST, 789.229, DARK CHARCOAL GRAY | 0.014 GA |
| 36PA1000 | PKG GRP, PRINT PK1016A06 | 1.000 EA |
| HW2501D13 | KEY, 3/16 SQ X 1.375 | 1.000 EA |
| HA7000A04 | KEY RETAINER 0.625 DIA SHAFTS | 1.000 EA |
| MJ5000A09 | EFI KIT #1578 (400 ML CARTRIDGE OF EFI | 0.031 EA |

AC Induction Motor Performance Data

Record # 61361

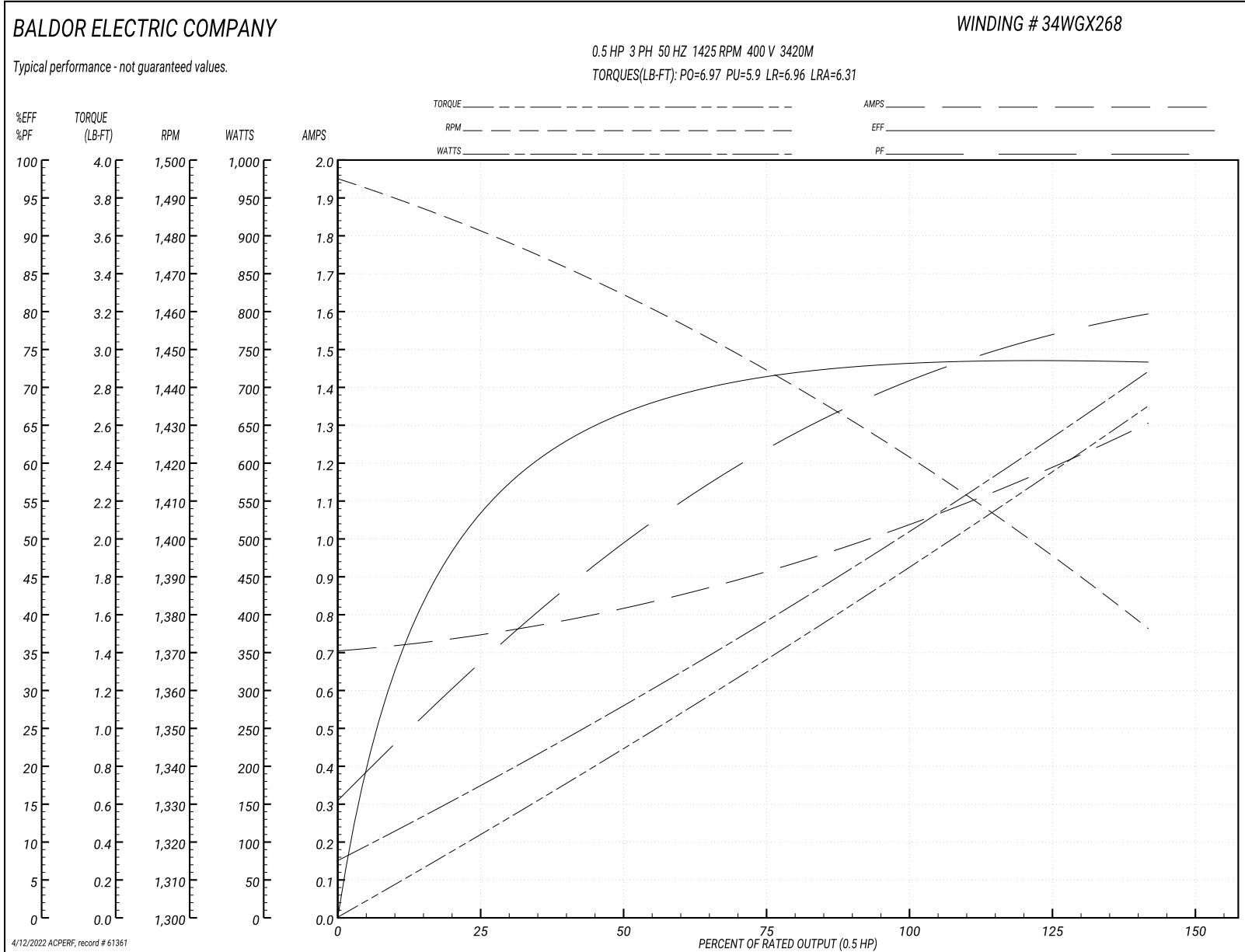
Typical performance - not guaranteed values

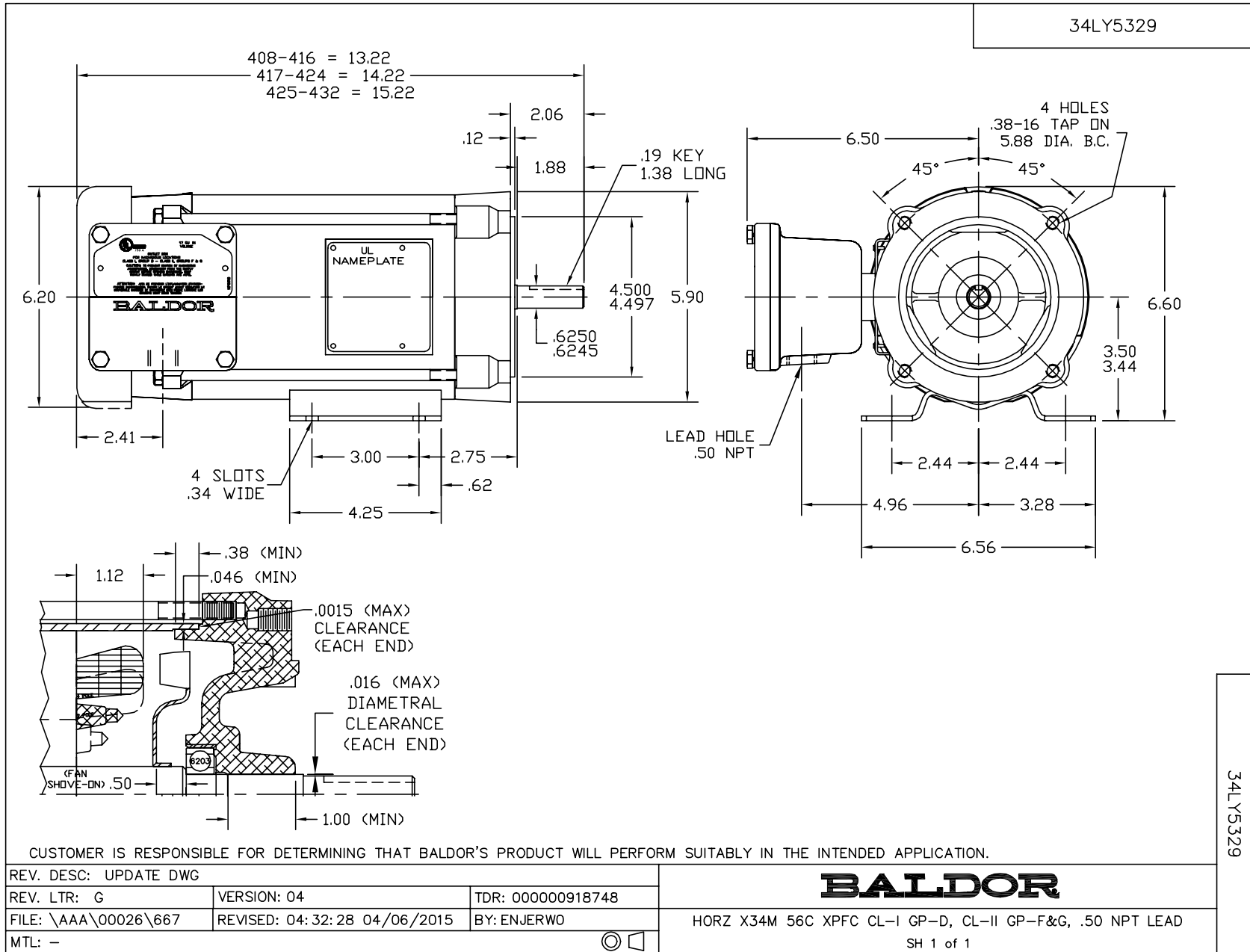
| Winding: 34WGX268-R003 | | Type: 3420M | | Enclosure: TEFC | |
|-------------------------------|--------------|----------------------------------|--|------------------------|--|
| Nameplate Data | | | 400 V, 50 Hz: High Voltage Connection | | |
| Rated Output (HP) | .5 | Full Load Torque | 1.8 LB-FT | | |
| Volts | 230/400 | Start Configuration | direct on line | | |
| Full Load Amps | 1.7/1 | Breakdown Torque | 6.97 LB-FT | | |
| R.P.M. | 1425 | Pull-up Torque | 5.9 LB-FT | | |
| Hz | 50 Phase | Locked-rotor Torque | 6.96 LB-FT | | |
| NEMA Design Code | B | Starting Current | 6.31 A | | |
| Service Factor (S.F.) | 1.25 | No-load Current | 0.704 A | | |
| NEMA Nom. Eff. | 73 | Line-line Res. @ 25°C | 27.1 Ω | | |
| Rating - Duty | 40C AMB-CONT | Temp. Rise @ Rated Load | 44°C | | |
| S.F. Amps | 2/1.2 | Temp. Rise @ S.F. Load | 55°C | | |
| | | Locked-rotor Power Factor | 64 | | |
| | | Rotor inertia | 0.0476 LB-FT ² | | |

Load Characteristics 400 V, 50 Hz, 0.5 HP

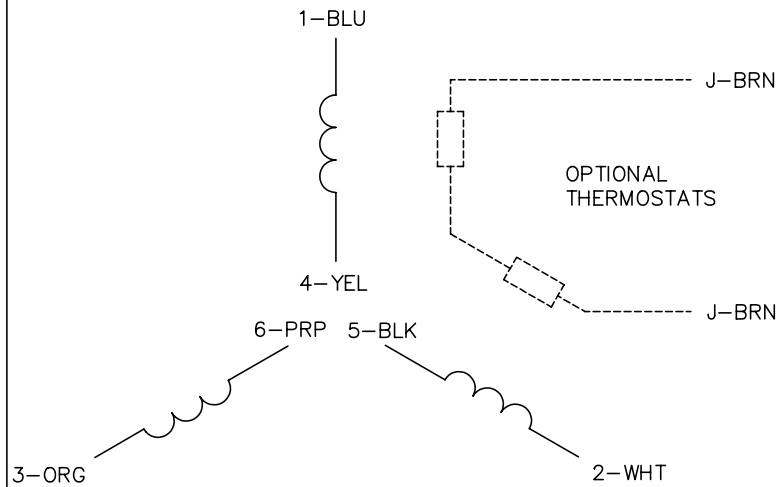
| % of Rated Load | 25 | 50 | 75 | 100 | 125 | 150 | S.F. |
|------------------------|-----------|-----------|-----------|------------|------------|------------|-------------|
| Power Factor | 35 | 50 | 62 | 69 | 77 | 80 | 77 |
| Efficiency | 52.4 | 66.3 | 71.8 | 73.3 | 73.9 | 73.1 | 73.9 |
| Speed | 1479 | 1465 | 1448 | 1418 | 1406 | 1374 | 1406 |
| Line amperes | 0.749 | 0.819 | 0.901 | 1.04 | 1.15 | 1.31 | 1.15 |

Performance Graph at 400V, 50Hz, 0.5HP Typical performance - Not guaranteed values

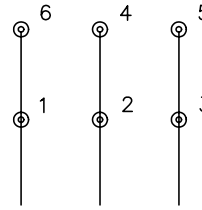




CD0022

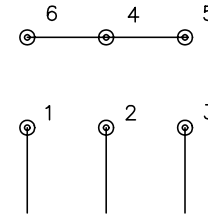


LOW VOLTAGE
(1D)



LINE

HIGH VOLTAGE
(1Y)



LINE

NOTES:

1. INTERCHANGE ANY TWO LINE LEADS TO REVERSE ROTATION.
2. OPTIONAL THERMOSTATS ARE PROVIDED WHEN SPECIFIED.
3. ACTUAL NUMBER OF INTERNAL PARALLEL CIRCUITS MAY BE A MULTIPLE OF THOSE SHOWN ABOVE.
4. LEAD COLORS ARE OPTIONAL. LEADS MUST ALWAYS BE NUMBERED AS SHOWN.

| | | | |
|---|---------|------------------------|--------------|
| REV. DESC: REVISE TO SHOW OPTIONAL COLORS | | | |
| REV. LTR: F | BY: JLP | REVISED: 01/21/99 3:54 | TDR: 0171435 |
| CD0022 | | FILE: AAA00005144 | MDL: - |
| | | MTL: - | |

BALDOR ELECTRIC Co.

3PH, DV, 6 LEADS, DELTA/WYE CONNECTION

CD0022

Marketing maintained PDF of MN416:

<http://www.baldor.com/support/Literature/Load.ashx/MN416?ManNumber=MN416>