

BALDOR® • RELIANCE 

Product Information Packet

CXM050742-57

.75HP,1425RPM,3PH,50HZ,56C,3428M,XPFC,F1

Part Detail							
Revision:	A	Status:	PRD/A	Change #:		Proprietary:	No
Type:	AC	Elec. Spec:	34WGY234	CD Diagram:	CD0022	Mfg Plant:	
Mech. Spec:		Layout:	34LY5329	Poles:	04	Created Date:	03-30-2021
Base:		Eff. Date:	05-18-2021	Leads:	6#18		

Specs			
Catalog Number:	CXM050742-57	Heater Indicator:	No Heater
Enclosure:	XPFC	Insulation Class:	F
Frame:	56C	Inverter Code:	Not Inverter
Frame Material:	Steel	IP Rating:	NONE
Output @ Frequency:	.750 HP @ 50 HZ	KVA Code:	N
Synchronous Speed @ Frequency:	1500 RPM @ 50 HZ	Lifting Lugs:	No Lifting Lugs
Voltage @ Frequency:	230.0 V @ 50 HZ	Locked Bearing Indicator:	No Locked Bearing
	400.0 V @ 50 HZ	Motor Lead Termination:	Flying Leads
XP Class and Group:	CLI GP D; CLII GP F,G	Motor Type:	3428M
XP Division:	Division I	Mounting Arrangement:	F1
Agency Approvals:	UL	Power Factor:	61
	CSA	Product Family:	Hazardous Location Motor
Auxillary Box:	No Auxillary Box	Pulley Face Code:	C-Face
Auxillary Box Lead Termination:	None	Rodent Screen:	None
Base Indicator:	Rigid	Shaft Ground Indicator:	No Shaft Grounding
Bearing Grease Type:	Polyrex EM (-20F +300F)	Shaft Rotation:	Reversible
Blower:	None	Speed Code:	Single Speed
Current @ Voltage:	1.700 A @ 400.0 V	Motor Standards:	NEMA

	2.900 A @ 230.0 V	Starting Method:	Direct on line
Design Code:	B	Thermal Device - Bearing:	None
Drip Cover:	No Drip Cover	Thermal Device - Winding:	Normally Closed Thermostat
Duty Rating:	CONT	Vibration Sensor Indicator:	No Vibration Sensor
Electrically Isolated Bearing:	Not Electrically Isolated	Winding Thermal 1:	None
Feedback Device:	NO FEEDBACK	Winding Thermal 2:	None
		XP Temp Code:	T3C

Nameplate NP1426XPSL				
NO.	<input type="text"/>	CC	<input type="text"/>	
SER.	<input type="text"/>			
SPEC.	34-0000-0411			
CAT.NO.	CXM050742-57			
HP	.75	T. CODE	T3C	
VOLTS	230/400			
AMPS	2.9/1.7			
RPM	1425			
HZ	50	PH	3	
SER.F.	1.15	DES	B	
RATING	40C AMB-CONT		CL	F
FRAME	56C	NEMA-NOM-EFF		75.5
USABLE AT 208V	PF		61	
BLANK	NEMA MG-1 PART 5, IP54			

Parts List		
Part Number	Description	Quantity
SA392655	SA 34-0000-0411	1.000 EA
RA383230	RA 34-0000-0411	1.000 EA
LB1119N	WARNING LABEL	1.000 EA
LC0034	CONNECTION LABEL	1.000 EA
NP1426XPSL	SS XP UL CSA CC CL-I GP-D CL-II GP-F&G	1.000 EA
85XU0407S04	4X1/4 U DRIVE PIN STAINLESS	2.000 EA
85XU0407S04	4X1/4 U DRIVE PIN STAINLESS	4.000 EA
MN416A01	TAG-INSTAL-MAINT no wire (2100/bx) 4/22	1.000 EA
NP0018W	ALUM UL XP CONDUIT BOX NAMEPLATE	1.000 EA
34FH4002A01SP	IEC FH NO GREASER PRIMED	1.000 EA
51XW1032A06	10-32 X .38, TAPTITE II, HEX WSHR SLTD S	3.000 EA
34FN3002A01SP	EXTERNAL FAN, PLASTIC, .637/.639 HUB W/	1.000 EA
HA3104A19	5/16-18 X 9.750 THRUBOLT OHIO	4.000 EA
34EP3703A01	FR ENDPLATE, MACH XP	1.000 EA
HW5100A03	WAVY WASHER (W1543-017)	1.000 EA
34EP3705A01SP	PU ENDPLATE, MACH	1.000 EA
35CB3001A01SP	EXPL CONDUIT BOX, MACH, 1/2" PIPE TAP LE	1.000 EA
HW3001B02	BRASS CUP WASHER W/GROUND SYMBOL TAB,	1.000 EA
11XW1032G06	10-32 X .38, TAPTITE II, HEX WSHR SLTD U	1.000 EA
HW4002A02	1-11.5X2LG PIPE NIPPLE (F/S)	1.000 EA
35CB3500A01SP	CONDUIT BOX LID, MACH	1.000 EA
51XN2520A16	SCREW, HEX WS SLT, ZN, 1/4-20 X 1.00	4.000 EA
SP5037A02	TERMINAL PLATE ASSY 556434 XP	1.000 EA
51XW0832A07	8-32 X .44, TAPTITE II, HEX WSHR SLTD SE	2.000 EA

Parts List (continued)		
Part Number	Description	Quantity
HA1025A13	WSHR,FELT,.38" THICK F-26 CLASS	1.000 EA
HW3021E06	1/8 DIA X 5/8 ROLLPIN (F/S)	1.000 EA
WD1000A16	2-520128-2 AMP FLAG TERMINAL(4M/RL)	8.000 EA
WD1000A16	2-520128-2 AMP FLAG TERMINAL(4M/RL)	8.000 EA
MG1025G29	WILKOFAST, 789.229, DARK CHARCOAL GRAY	0.014 GA
36PA1000	PKG GRP, PRINT PK1016A06	1.000 EA
HW2501D13	KEY, 3/16 SQ X 1.375	1.000 EA
HA7000A04	KEY RETAINER 0.625 DIA SHAFTS	1.000 EA
MJ5000A09	EFI KIT #1578 (400 ML CARTRIDGE OF EFI	0.031 EA

AC Induction Motor Performance Data

Record # 36363

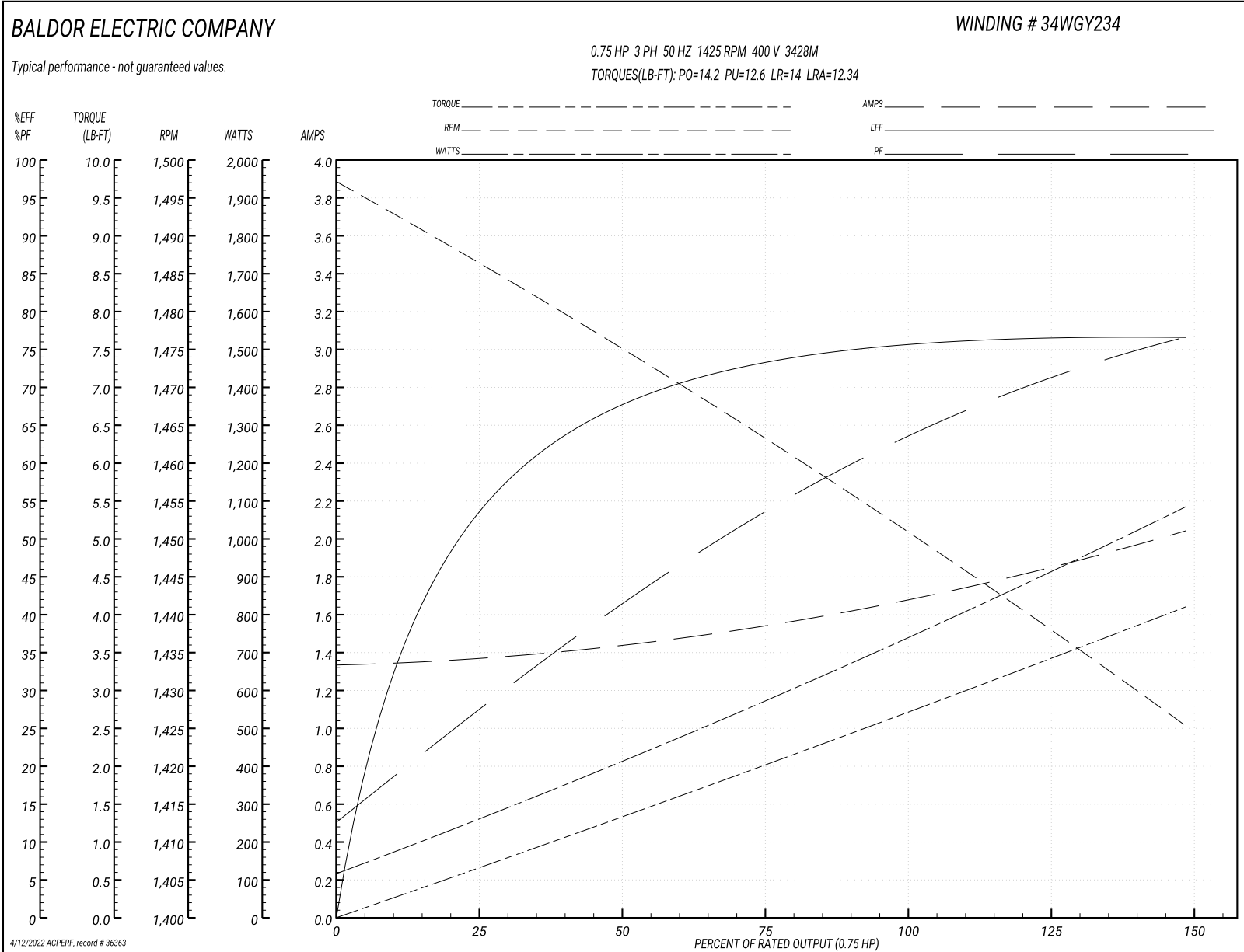
Typical performance - not guaranteed values

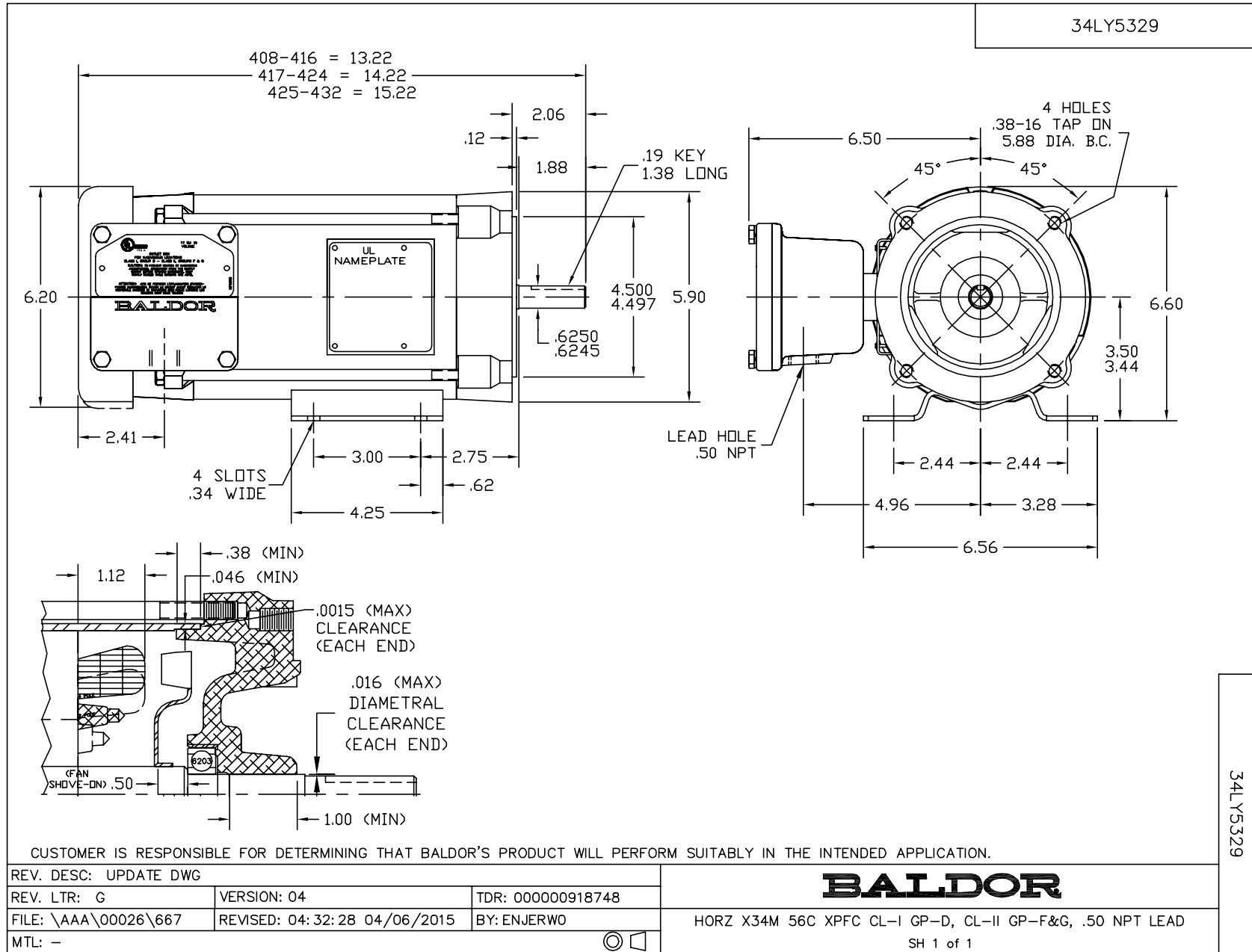
Winding: 34WGY234-R002		Type: 3428M		Enclosure: XPFC	
Nameplate Data			400 V, 50 Hz: High Voltage Connection		
Rated Output (HP)	.75	Full Load Torque	2.74 LB-FT		
Volts	230/400	Start Configuration	direct on line		
Full Load Amps	2.9/1.7	Breakdown Torque	14.2 LB-FT		
R.P.M.	1425	Pull-up Torque	12.6 LB-FT		
Hz	50 Phase	Locked-rotor Torque	14 LB-FT		
NEMA Design Code	B	Starting Current	12.34 A		
Service Factor (S.F.)		No-load Current	1.342 A		
NEMA Nom. Eff.	75.5	Line-line Res. @ 25°C	12.817 Ω		
Rating - Duty	40C AMB-CONT	Temp. Rise @ Rated Load	57°C		
		Locked-rotor Power Factor	59		
		Rotor inertia	0.0667 LB-FT ²		

Load Characteristics 400 V, 50 Hz, 0.75 HP

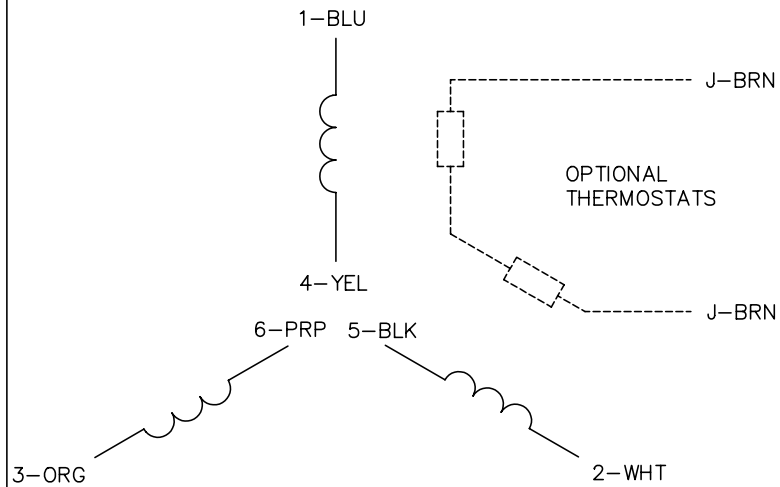
% of Rated Load	25	50	75	100	125	150
Power Factor	27	41	52	61	69	74
Efficiency	54.2	68.1	73.5	75.9	76.4	76.6
Speed	1485	1474	1463	1450	1440	1424
Line amperes	1.358	1.442	1.548	1.701	1.838	2.046

Performance Graph at 400V, 50Hz, 0.75HP Typical performance - Not guaranteed values

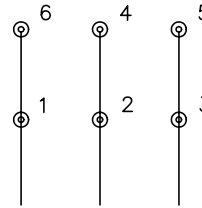




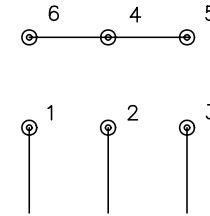
CD0022



LOW VOLTAGE
(1D)



HIGH VOLTAGE
(1Y)



NOTES:

1. INTERCHANGE ANY TWO LINE LEADS TO REVERSE ROTATION.
2. OPTIONAL THERMOSTATS ARE PROVIDED WHEN SPECIFIED.
3. ACTUAL NUMBER OF INTERNAL PARALLEL CIRCUITS MAY BE A MULTIPLE OF THOSE SHOWN ABOVE.
4. LEAD COLORS ARE OPTIONAL. LEADS MUST ALWAYS BE NUMBERED AS SHOWN.

REV. DESC: REVISE TO SHOW OPTIONAL COLORS

REV. LTR: F

BY: JLP

REVISED: 01/21/99 3:54

TDR: 0171435

CD0022

FILE: AAA00005144

MDL: -

MTL: -

BALDOR ELECTRIC Co.

3PH, DV, 6 LEADS, DELTA/WYE CONNECTION

CD0022

Marketing maintained PDF of MN416:

<http://www.baldor.com/support/Literature/Load.ashx/MN416?ManNumber=MN416>