

**BALDOR® • RELIANCE** 

**Product Information Packet**

**CXM05142-57**

**1HP,1425RPM,3PH,50HZ,56C,3432M,XPFC,F1,N**

Part Detail							
Revision:	-	Status:	PRD/A	Change #:		Proprietary:	No
Type:	AC	Elec. Spec:	34WGX455	CD Diagram:	CD0022	Mfg Plant:	
Mech. Spec:		Layout:	34LY5329	Poles:	04	Created Date:	05-12-2021
Base:		Eff. Date:	05-14-2021	Leads:	6#18		

Specs			
Catalog Number:	CXM05142-57	Heater Indicator:	No Heater
Enclosure:	XPFC	Insulation Class:	F
Frame:	56C	Inverter Code:	Not Inverter
Frame Material:	Steel	IP Rating:	NONE
Output @ Frequency:	1.000 HP @ 50 HZ	KVA Code:	K
Synchronous Speed @ Frequency:	1500 RPM @ 50 HZ	Lifting Lugs:	No Lifting Lugs
Voltage @ Frequency:	230.0 V @ 50 HZ	Locked Bearing Indicator:	No Locked Bearing
	400.0 V @ 50 HZ	Motor Lead Termination:	Flying Leads
XP Class and Group:	CLI GP D; CLII GP F,G	Motor Type:	3432M
XP Division:	Division I	Mounting Arrangement:	F1
Agency Approvals:	UL	Power Factor:	76
	CSA	Product Family:	Hazardous Location Motor
Auxillary Box:	No Auxillary Box	Pulley Face Code:	C-Face
Auxillary Box Lead Termination:	None	Rodent Screen:	None
Base Indicator:	Rigid	Shaft Ground Indicator:	No Shaft Grounding
Bearing Grease Type:	Polyrex EM (-20F +300F)	Shaft Rotation:	Reversible
Blower:	None	Speed Code:	Single Speed
Current @ Voltage:	2.000 A @ 400.0 V	Motor Standards:	NEMA

	3.450 A @ 230.0 V	<b>Starting Method:</b>	Direct on line
<b>Design Code:</b>	B	<b>Thermal Device - Bearing:</b>	None
<b>Drip Cover:</b>	No Drip Cover	<b>Thermal Device - Winding:</b>	Normally Closed Thermostat
<b>Duty Rating:</b>	CONT	<b>Vibration Sensor Indicator:</b>	No Vibration Sensor
<b>Electrically Isolated Bearing:</b>	Not Electrically Isolated	<b>Winding Thermal 1:</b>	None
<b>Feedback Device:</b>	NO FEEDBACK	<b>Winding Thermal 2:</b>	None
		<b>XP Temp Code:</b>	T3C

Nameplate NP1426XPSL					
NO.	<input type="text"/>	CC	<input type="text"/>		
SER.	<input type="text"/>				
SPEC.	34-0000-0422				
CAT.NO.	CXM05142-57				
HP	1	T. CODE	T3C		
VOLTS	230/400				
AMPS	3.45/2				
RPM	1425				
HZ	50	PH	3		
SER.F.	1.15	DES	B		
RATING	40C AMB-CONT		CL	F	
FRAME	56C	NEMA-NOM-EFF		74	
USABLE AT 208V	PF		76	CODE	K
BLANK	NEMA MG-1 PART 5, IP54				

Parts List		
Part Number	Description	Quantity
SA393569	SA 34-0000-0422	1.000 EA
RA384225	RA 34-0000-0422	1.000 EA
LB1119N	WARNING LABEL	1.000 EA
LC0034	CONNECTION LABEL	1.000 EA
NP1426XPSL	SS XP UL CSA CC CL-I GP-D CL-II GP-F&G	1.000 EA
85XU0407S04	4X1/4 U DRIVE PIN STAINLESS	2.000 EA
85XU0407S04	4X1/4 U DRIVE PIN STAINLESS	4.000 EA
MN416A01	TAG-INSTAL-MAINT no wire (2100/bx) 4/22	1.000 EA
NP0018W	ALUM UL XP CONDUIT BOX NAMEPLATE	1.000 EA
34FH4002A01SP	IEC FH NO GREASER PRIMED	1.000 EA
51XW1032A06	10-32 X .38, TAPTITE II, HEX WSHR SLTD S	3.000 EA
34FN3002A01SP	EXTERNAL FAN, PLASTIC, .637/.639 HUB W/	1.000 EA
HA3104A19	5/16-18 X 9.750 THRUBOLT OHIO	4.000 EA
34EP3703A01	FR ENDPLATE, MACH XP	1.000 EA
HW5100A03	WAVY WASHER (W1543-017)	1.000 EA
34EP3705A01SP	PU ENDPLATE, MACH	1.000 EA
35CB3001A01SP	EXPL CONDUIT BOX, MACH, 1/2" PIPE TAP LE	1.000 EA
HW3001B02	BRASS CUP WASHER W/GROUND SYMBOL TAB,	1.000 EA
11XW1032G06	10-32 X .38, TAPTITE II, HEX WSHR SLTD U	1.000 EA
HW4002A02	1-11.5X2LG PIPE NIPPLE (F/S)	1.000 EA
35CB3500A01SP	CONDUIT BOX LID, MACH	1.000 EA
51XN2520A16	SCREW, HEX WS SLT, ZN, 1/4-20 X 1.00	4.000 EA
SP5037A02	TERMINAL PLATE ASSY 556434 XP	1.000 EA
51XW0832A07	8-32 X .44, TAPTITE II, HEX WSHR SLTD SE	2.000 EA

<b>Parts List (continued)</b>		
<b>Part Number</b>	<b>Description</b>	<b>Quantity</b>
HA1025A13	WSHR,FELT,.38" THICK F-26 CLASS	1.000 EA
HW3021E06	1/8 DIA X 5/8 ROLLPIN (F/S)	1.000 EA
WD1000A16	2-520128-2 AMP FLAG TERMINAL(4M/RL)	8.000 EA
WD1000A16	2-520128-2 AMP FLAG TERMINAL(4M/RL)	8.000 EA
MG1025G29	WILKOFASST, 789.229, DARK CHARCOAL GRAY	0.014 GA
36PA1000	PKG GRP, PRINT PK1016A06	1.000 EA
HW2501D13	KEY, 3/16 SQ X 1.375	1.000 EA
HA7000A04	KEY RETAINER 0.625 DIA SHAFTS	1.000 EA
MJ5000A09	EFI KIT #1578 (400 ML CARTRIDGE OF EFI	0.031 EA

**AC Induction Motor Performance Data**

Record # 35186

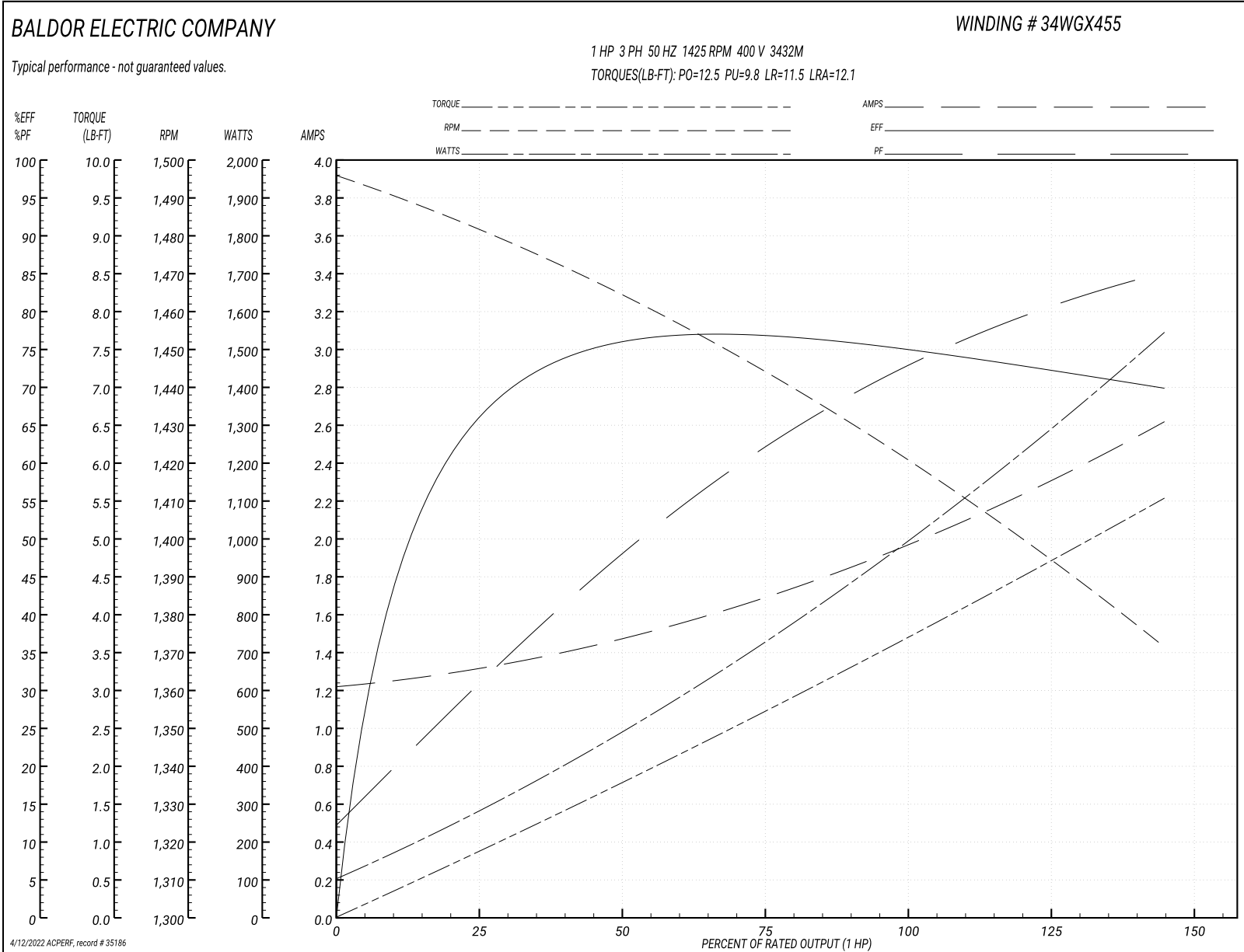
Typical performance - not guaranteed values

<b>Winding:</b> 34WGX455-R008		<b>Type:</b> 3432M		<b>Enclosure:</b> XPFC	
<b>Nameplate Data</b>			<b>400 V, 50 Hz: High Voltage Connection</b>		
<b>Rated Output (HP)</b>	1	<b>Full Load Torque</b>	3.7 LB-FT		
<b>Volts</b>	230/400	<b>Start Configuration</b>	direct on line		
<b>Full Load Amps</b>	3.45/2	<b>Breakdown Torque</b>	12.5 LB-FT		
<b>R.P.M.</b>	1425	<b>Pull-up Torque</b>	9.8 LB-FT		
<b>Hz</b>	50 <b>Phase</b>	3	<b>Locked-rotor Torque</b>	11.5 LB-FT	
<b>NEMA Design Code</b>	<b>B KVA Code</b>	K	<b>Starting Current</b>	12.1 A	
<b>Service Factor (S.F.)</b>		1	<b>No-load Current</b>	1.2 A	
<b>NEMA Nom. Eff.</b>	74 <b>Power Factor</b>	76	<b>Line-line Res. @ 25°C</b>	12.6 Ω	
<b>Rating - Duty</b>	40C AMB-CONT		<b>Temp. Rise @ Rated Load</b>	76°C	
			<b>Locked-rotor Power Factor</b>	59	
			<b>Rotor inertia</b>	0.0762 LB-FT <sup>2</sup>	

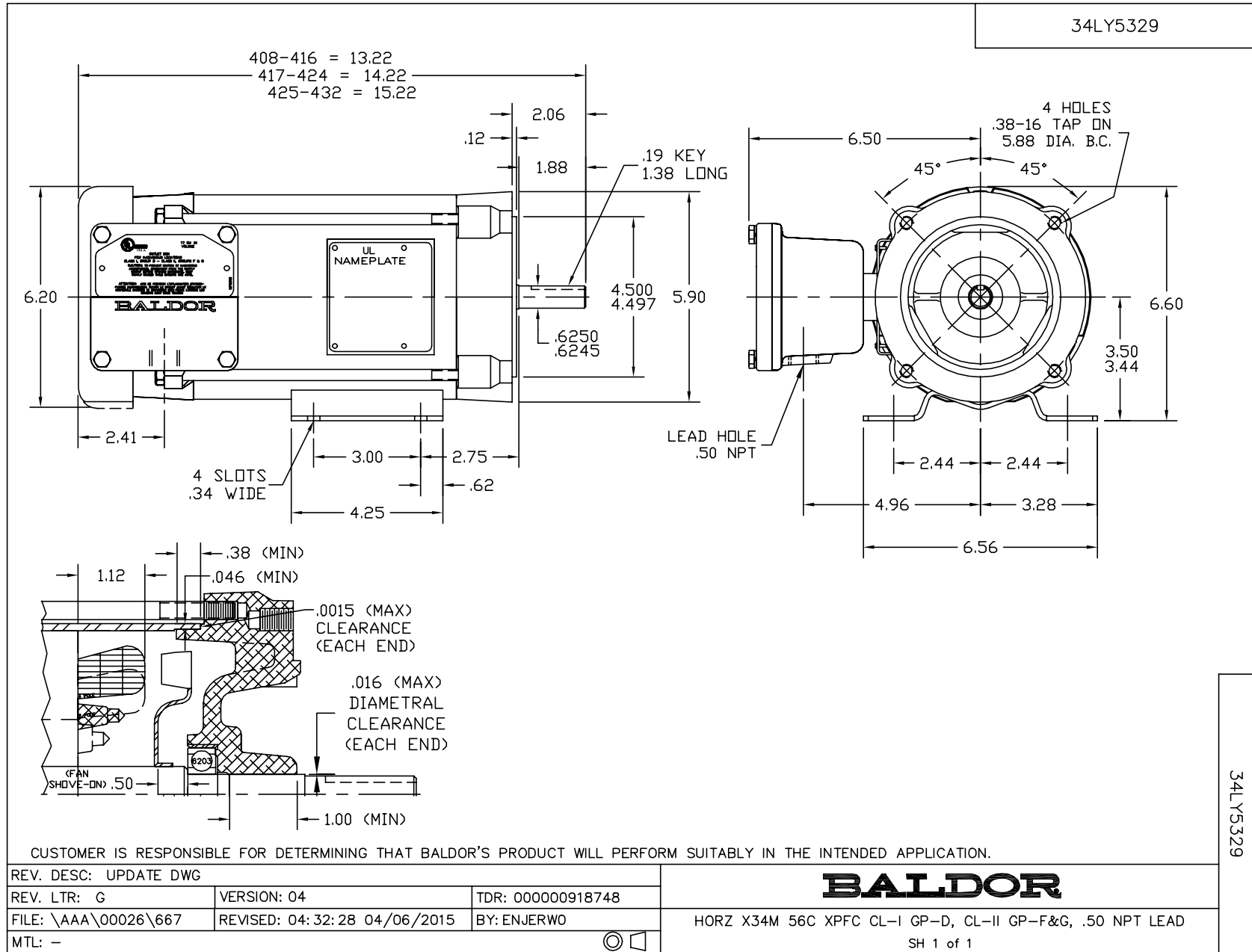
**Load Characteristics 400 V, 50 Hz, 1 HP**

<b>% of Rated Load</b>	<b>25</b>	<b>50</b>	<b>75</b>	<b>100</b>	<b>125</b>	<b>150</b>
<b>Power Factor</b>	30	53	63	72	79	86
<b>Efficiency</b>	66.6	75.4	76.6	75.4	72.9	69.6
<b>Speed</b>	1480	1462	1443	1422	1398	1370
<b>Line amperes</b>	1.4	1.4	1.7	2	2.3	2.6

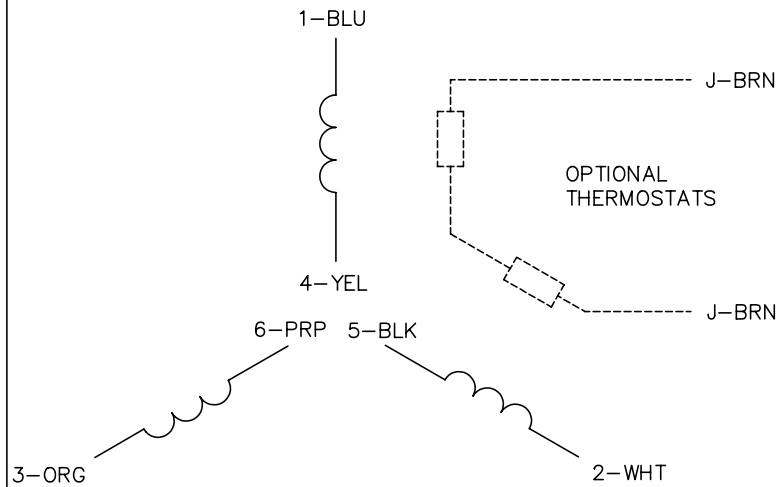
Performance Graph at 400V, 50Hz, 1.0HP Typical performance - Not guaranteed values



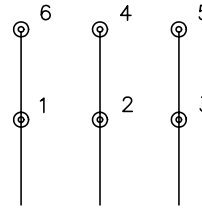




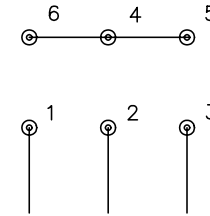
CD0022



LOW VOLTAGE  
(1D)



HIGH VOLTAGE  
(1Y)



NOTES:

1. INTERCHANGE ANY TWO LINE LEADS TO REVERSE ROTATION.
2. OPTIONAL THERMOSTATS ARE PROVIDED WHEN SPECIFIED.
3. ACTUAL NUMBER OF INTERNAL PARALLEL CIRCUITS MAY BE A MULTIPLE OF THOSE SHOWN ABOVE.
4. LEAD COLORS ARE OPTIONAL. LEADS MUST ALWAYS BE NUMBERED AS SHOWN.

REV. DESC: REVISE TO SHOW OPTIONAL COLORS			
REV. LTR: F	BY: JLP	REVISED: 01/21/99 3:54	TDR: 0171435
CD0022		FILE: AAA00005144	MDL: -
		MTL: -	

**BALDOR ELECTRIC Co.**

3PH, DV, 6 LEADS, DELTA/WYE CONNECTION

CD0022

Marketing maintained PDF of MN416:

<http://www.baldor.com/support/Literature/Load.ashx/MN416?ManNumber=MN416>