

**BALDOR® • RELIANCE** 

**Product Information Packet**

**CXM18342T**

**3//2HP,1760//1460RPM,3PH,60//50HZ,182TC**

Part Detail							
Revision:	-	Status:	PRD/A	Change #:		Proprietary:	No
Type:	AC	Elec. Spec:	36WGS266	CD Diagram:	CD0005	Mfg Plant:	
Mech. Spec:		Layout:	36LYK919	Poles:	04	Created Date:	02-16-2021
Base:		Eff. Date:	02-23-2021	Leads:	9#16		

Specs			
Catalog Number:	CXM18342T	Duty Rating:	CONT
Enclosure:	XPFC	Electrically Isolated Bearing:	Not Electrically Isolated
Frame:	182TC	Feedback Device:	NO FEEDBACK
Frame Material:	Steel	Heater Indicator:	No Heater
Output @ Frequency:	2.000 HP @ 50 HZ	Insulation Class:	F
	3.000 HP @ 60 HZ	Inverter Code:	Inverter Duty
Synchronous Speed @ Frequency:	1800 RPM @ 60 HZ	IP Rating:	NONE
Voltage @ Frequency:	380.0 V @ 50 HZ	KVA Code:	K
	230.0 V @ 60 HZ	Lifting Lugs:	No Lifting Lugs
	460.0 V @ 60 HZ	Locked Bearing Indicator:	Locked Bearing
	190.0 V @ 50 HZ	Motor Lead Termination:	Flying Leads
XP Class and Group:	CLI GP D; CLII GP F,G	Motor Type:	3632M
XP Division:	Division I	Mounting Arrangement:	F1
Agency Approvals:	CSA EEV	Power Factor:	75
	UL	Product Family:	General Purpose
Auxillary Box:	No Auxillary Box	Pulley Face Code:	C-Face
Auxillary Box Lead Termination:	None	Rodent Screen:	None
Base Indicator:	Rigid	Shaft Ground Indicator:	No Shaft Grounding

<b>Bearing Grease Type:</b>	Polyrex EM (-20F +300F)	<b>Shaft Rotation:</b>	Reversible
<b>Blower:</b>	None	<b>Speed Code:</b>	Single Speed
<b>Constant Torque Speed Range:</b>	6	<b>Motor Standards:</b>	NEMA
<b>Current @ Voltage:</b>	9.000 A @ 208.0 V	<b>Starting Method:</b>	Direct on line
	8.400 A @ 230.0 V	<b>Thermal Device - Bearing:</b>	None
	7.200 A @ 190.0 V	<b>Thermal Device - Winding:</b>	Normally Closed Thermostat
	4.200 A @ 460.0 V	<b>Vibration Sensor Indicator:</b>	No Vibration Sensor
	3.600 A @ 380.0 V	<b>Winding Thermal 1:</b>	None
<b>Design Code:</b>	B	<b>Winding Thermal 2:</b>	None
<b>Drip Cover:</b>	No Drip Cover	<b>XP Temp Code:</b>	T3C

<b>Nameplate NP0887XPSLEV</b>									
<b>NO.</b>					<b>CC</b>	010A			
<b>S/N</b>					<b>TEMP CODE</b>	T3C			
<b>SPEC.</b>	36-0000-0465				<b>INV.TYPE</b>	PWM			
<b>CAT.NO.</b>	CXM18342T				<b>C HP FR</b>	60		<b>C HP TO</b>	90
<b>HP</b>	3//2				<b>CT HZ FROM</b>	6		<b>CT HZ TO</b>	60
<b>VOLTS</b>	230/460//190/380				<b>VT HZ FROM</b>	6		<b>VT HZ TO</b>	60
<b>AMPS</b>	8.4/4.2//7.2/3.6				<b>MAG CUR</b>	4.6/2.3			
<b>RPM</b>	1760//1460				<b>MX RPM</b>	2700			
<b>HZ</b>	60//50		<b>PH</b>	3	<b>CL</b>	F			
<b>SER.F.</b>	1.00		<b>DES</b>	B	<b>SL HZ</b>	1.4		<b>NOM.EFF.</b>	89.5
<b>FRAME</b>	182TC		<b>RATING</b>	40C AMB-CONT				<b>WK2</b>	0.3
	NEMA MG-1 PART 5, IP54								
	1.15 SF ON SINE WAVE								

Parts List		
Part Number	Description	Quantity
SA391076	SA 36-0000-0465	1.000 EA
RA381545	RA 36-0000-0465	1.000 EA
LB1119N	WARNING LABEL	1.000 EA
LC0145B01	CONNECTION LABEL	1.000 EA
NP0887XPSLEV	SS XP INV UL CSA-EEV CC CL-I GP-D	1.000 EA
85XU0407S04	4X1/4 U DRIVE PIN STAINLESS	2.000 EA
85XU0407S04	4X1/4 U DRIVE PIN STAINLESS	4.000 EA
MN416A01	TAG-INSTAL-MAINT no wire (2100/bx) 4/22	1.000 EA
NP0018F	ALUM UL XP CONDUIT BOX NAMEPLATE	1.000 EA
36FH4009A70	IEC FH W/(2)GREASER HOLES, W/ PRIMER	1.000 EA
51XW1032A06	10-32 X .38, TAPTITE II, HEX WSHR SLTD S	3.000 EA
36FN3000C01SP	EXFN, PLASTIC, 5.25 OD, .912 ID	1.000 EA
51XB1214A16	12-14X1.00 HXWSSLD SERTYB	1.000 EA
MJ1000A02	GREASE, MOBIL POLYREX EM - 124047	0.050 LB
HA3105A06	THRUBOLT- 3/8-16 X 10.500 X	4.000 EA
WD4100A03	DE-750 HEYCO PLUG 62MP0750 MICRO PLASTIC	2.000 EA
36EP3700A01	FR ENDPLATE, MACH	1.000 EA
HW5100A05	WVY WSHR F/205 & 304 BRGS	1.000 EA
HW4500A19	1/4-28X1/4 SLOTTED PLUG F/S	2.000 EA
36EP1703A01	PU ENDPLATE, MACH	1.000 EA
84XN1032J20	SCREW, SOC 10-32 X 1 1/4"BMH4602	2.000 EA
HW4001A01	1/4 HX SOC PIPE PLG (F/S) ALLOY STEEL W/	2.000 EA
60XN1032A07	10-32 X .4375 TRUSS HEAD, TORX SERRATED	2.000 EA
HW3022E05	.125 DIA X .500 ROLLED SPRING PIN	1.000 EA

<b>Parts List (continued)</b>		
<b>Part Number</b>	<b>Description</b>	<b>Quantity</b>
35CB3001A02SP	EXPL PROOF CONDUIT BOX, 3/4"PIPE TAP LEA	1.000 EA
11XW1032G06	10-32 X .38, TAPTITE II, HEX WSHR SLTD U	1.000 EA
HW3001B01	BRASS CUP WASHER, FOR #10 SCREW	1.000 EA
35CB3500A01SP	CONDUIT BOX LID, MACH	1.000 EA
51XN2520A16	SCREW, HEX WS SLT, ZN, 1/4-20 X 1.00	4.000 EA
MG1500Y02	WILKOPON PRIMER YELLOW	0.022 GA
MG1025G29	WILKOFASST, 789.229, DARK CHARCOAL GRAY	0.022 GA
36PA1001	PKG GRP, PRINT PK1017A06	1.000 EA
HW2501E19	STD SQUARE KEY .25 SQUARE X 2.125 LONG	1.000 EA
HA7000A02	KEY RETAINER RING, 1 1/8 DIA, 1 3/8 DIA	1.000 EA

**AC Induction Motor Performance Data**

Record # 76180

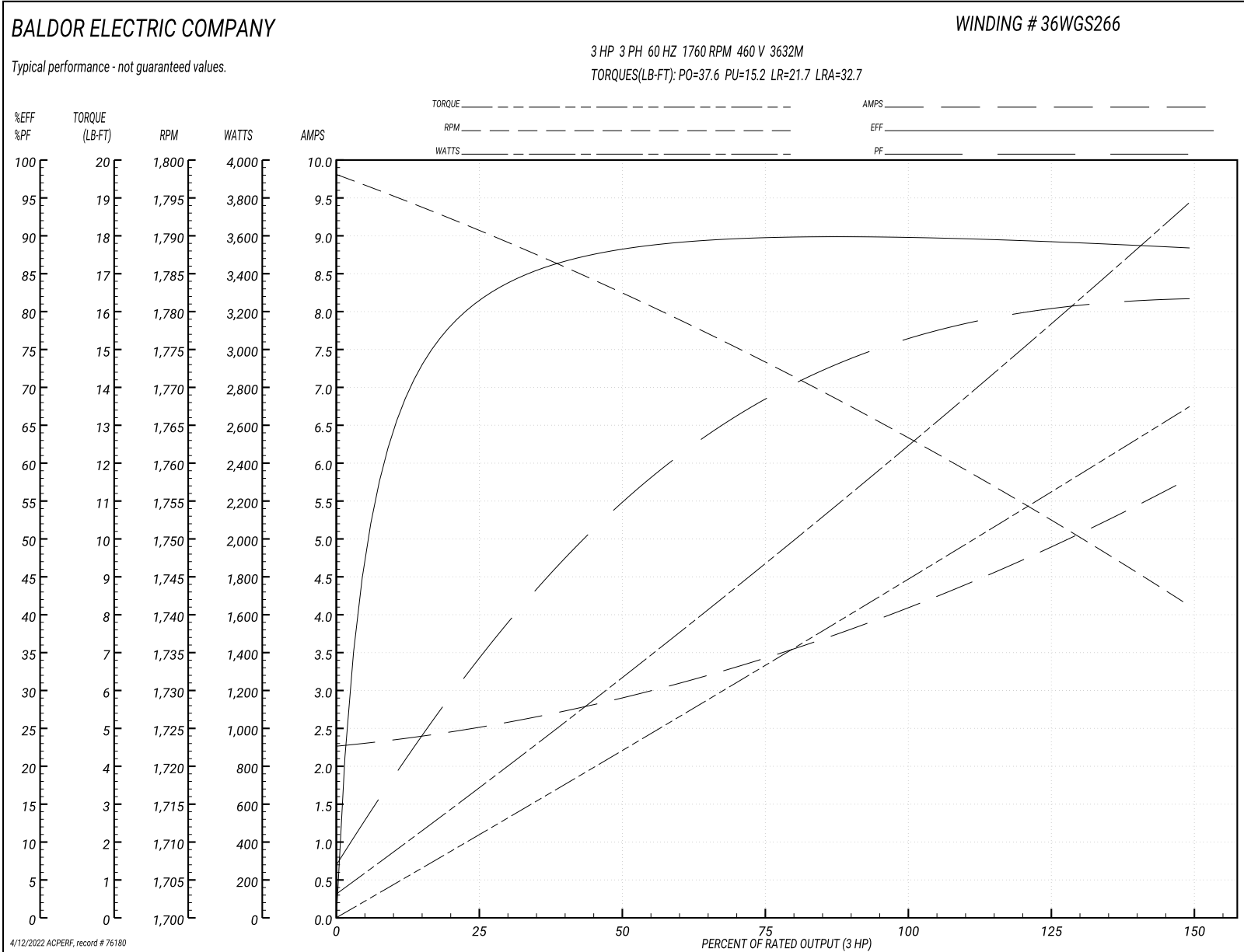
Typical performance - not guaranteed values

<b>Winding: 36WGS266-R015</b>		<b>Type: 3632M</b>		<b>Enclosure: XPFC</b>	
<b>Nameplate Data</b>			<b>460 V, 60 Hz: High Voltage Connection</b>		
<b>Rated Output (HP)</b>	3	<b>Full Load Torque</b>	8.8 LB-FT		
<b>Volts</b>	230/460	<b>Start Configuration</b>	direct on line		
<b>Full Load Amps</b>	8.4/4.2	<b>Breakdown Torque</b>	37.6 LB-FT		
<b>R.P.M.</b>	1760	<b>Pull-up Torque</b>	15.2 LB-FT		
<b>Hz</b>	60 <b>Phase</b>	3	<b>Locked-rotor Torque</b>	21.7 LB-FT	
<b>NEMA Design Code</b>	<b>B KVA Code</b>	K	<b>Starting Current</b>	32.7 A	
<b>Service Factor (S.F.)</b>		1	<b>No-load Current</b>	2.3 A	
<b>NEMA Nom. Eff.</b>	89.5 <b>Power Factor</b>	75	<b>Line-line Res. @ 25°C</b>	3.81 Ω	
<b>Rating - Duty</b>	40C AMB-CONT		<b>Temp. Rise @ Rated Load</b>	44°C	
			<b>Locked-rotor Power Factor</b>	42.2	
			<b>Rotor inertia</b>	0.298 LB-FT <sup>2</sup>	

**Load Characteristics 460 V, 60 Hz, 3 HP**

<b>% of Rated Load</b>	<b>25</b>	<b>50</b>	<b>75</b>	<b>100</b>	<b>125</b>	<b>150</b>
<b>Power Factor</b>	35	55	68	75	80	82
<b>Efficiency</b>	81	87.7	89.6	89.8	89.6	88.1
<b>Speed</b>	1791	1783	1773	1764	1753	1741
<b>Line amperes</b>	2.47	2.85	3.43	4.09	4.89	5.78

Performance Graph at 460V, 60Hz, 3.0HP Typical performance - Not guaranteed values





**AC Induction Motor Performance Data**

Record # 86692

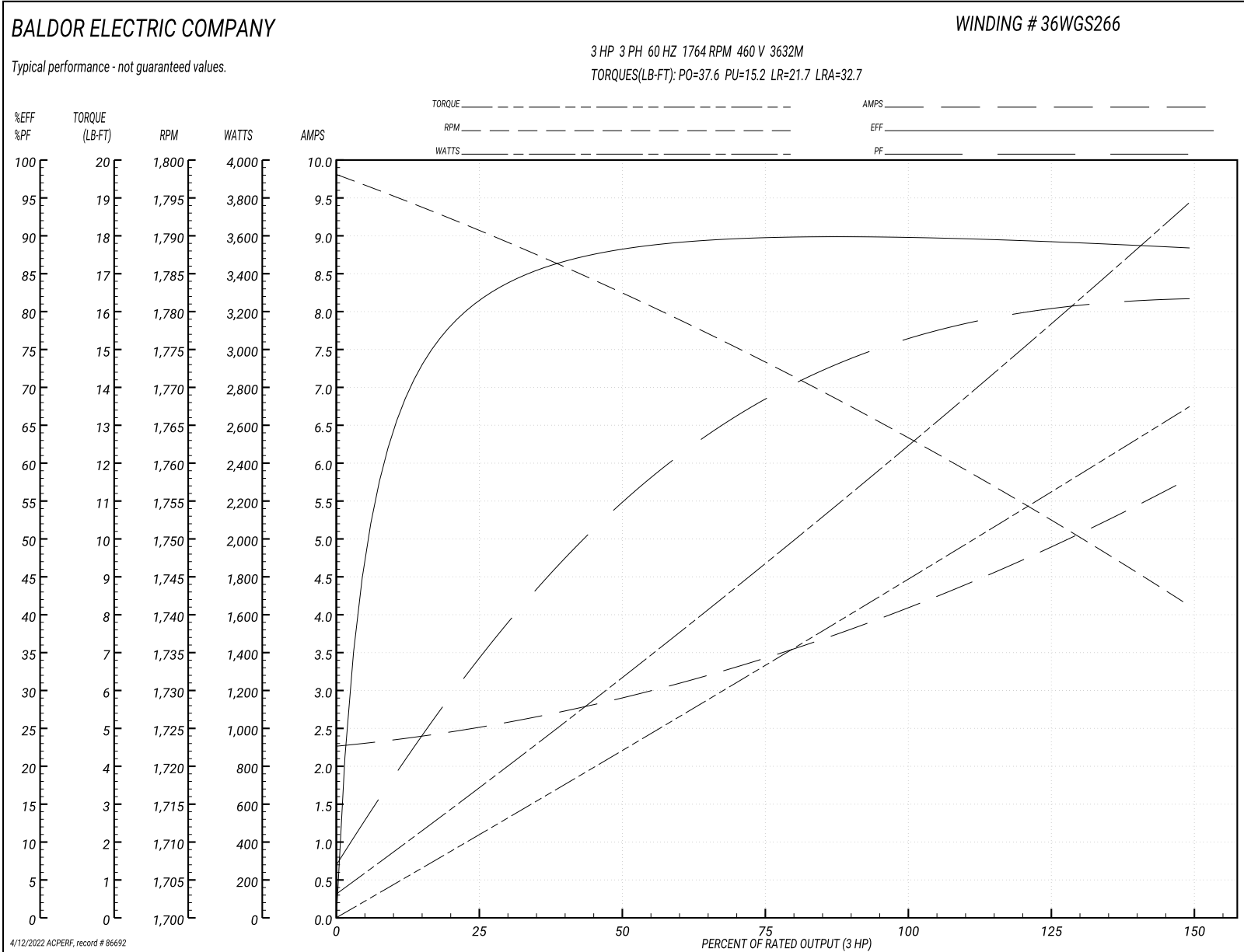
Typical performance - not guaranteed values

<b>Winding: 36WGS266-R004</b>		<b>Type: 3632M</b>		<b>Enclosure: TEFC</b>	
<b>Nameplate Data</b>			<b>460 V, 60 Hz: High Voltage Connection</b>		
<b>Rated Output (HP)</b>	3//2		<b>Full Load Torque</b>	8.8 LB-FT	
<b>Volts</b>	230/460//190/380		<b>Start Configuration</b>	direct on line	
<b>Full Load Amps</b>	8.4/4.2//7.2/3.6		<b>Breakdown Torque</b>	37.6 LB-FT	
<b>R.P.M.</b>	1760//1460		<b>Pull-up Torque</b>	15.2 LB-FT	
<b>Hz</b>	60//50	<b>Phase</b>	3	<b>Locked-rotor Torque</b>	21.7 LB-FT
<b>NEMA Design Code</b>	B	<b>KVA Code</b>	K	<b>Starting Current</b>	32.7 A
<b>Service Factor (S.F.)</b>	1		<b>No-load Current</b>	2.3 A	
<b>NEMA Nom. Eff.</b>	89.5	<b>Power Factor</b>	75	<b>Line-line Res. @ 25°C</b>	3.81 Ω
<b>Rating - Duty</b>	40C AMB-CONT		<b>Temp. Rise @ Rated Load</b>	44°C	
			<b>Locked-rotor Power Factor</b>	42.2	
			<b>Rotor inertia</b>	0.298 lb-ft <sup>2</sup>	

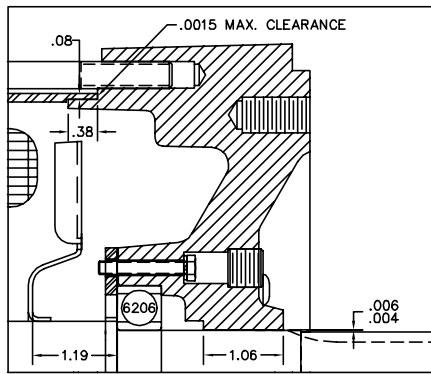
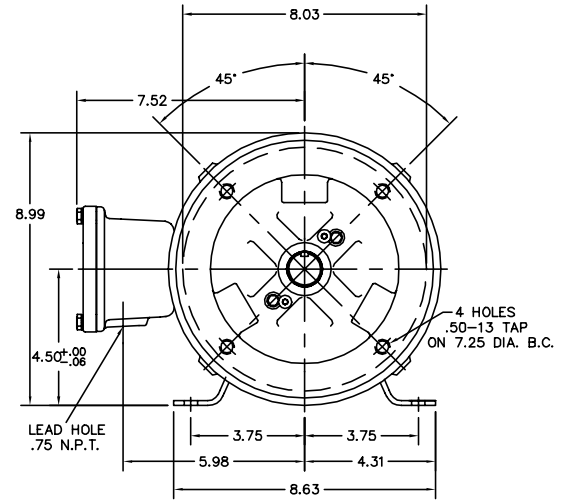
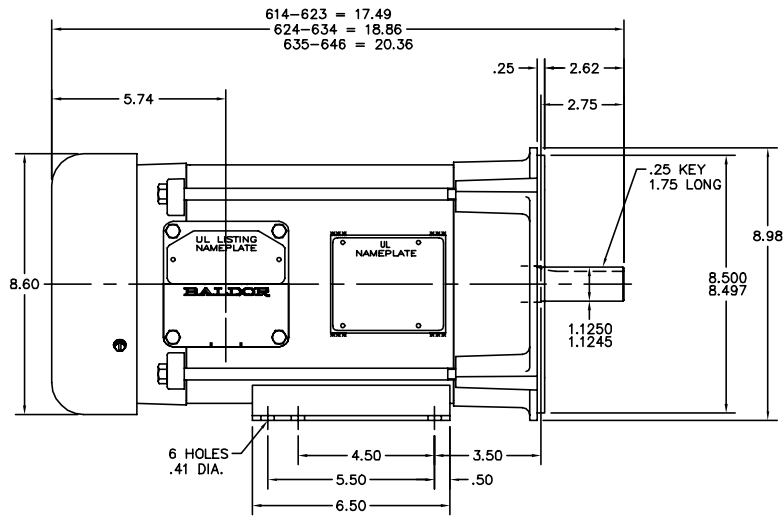
**Load Characteristics 460 V, 60 Hz, 3 HP**

<b>% of Rated Load</b>	<b>25</b>	<b>50</b>	<b>75</b>	<b>100</b>	<b>125</b>	<b>150</b>
<b>Power Factor</b>	35	55	68	75	80	82
<b>Efficiency</b>	81	87.7	89.6	89.8	89.6	88.1
<b>Speed</b>	1791	1783	1773	1764	1753	1741
<b>Line amperes</b>	2.47	2.85	3.43	4.09	4.89	5.78

Performance Graph at 460V, 60Hz, 3.0HP Typical performance - Not guaranteed values



36LYK919



PULLEY END DETAIL

CUSTOMER IS RESPONSIBLE FOR DETERMINING THAT MOTOR PERFORMANCE IS SUITABLE IN THE APPLICATION.

REV. DESC:	NEW
REV. LTR:	- BY: RMP REVISED: 07:33:00 02/20/2004 TDR: 324828
FILE:	AAA00114068 REF: 36LYK919
MTL:	-

**BALDOR ELECTRIC Co.**

HORZ 182-4TC XPFC 36M DUAL CLASS, INVERTER DUTY

36LYK919

CD0005

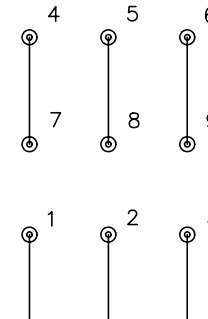


LOW VOLTAGE  
(2Y)



LINE

HIGH VOLTAGE  
(1Y)



LINE

NOTES:

1. INTERCHANGE ANY TWO LINE LEADS TO REVERSE ROTATION.
2. OPTIONAL THERMOSTATS ARE PROVIDED WHEN SPECIFIED.
3. ACTUAL NUMBER OF INTERNAL PARALLEL CIRCUITS MAY BE A MULTIPLE OF THOSE SHOWN ABOVE.
4. LEAD COLORS ARE OPTIONAL. LEADS MUST ALWAYS BE NUMBERED AS SHOWN.

REV. DESC: REVISE TO SHOW OPTIONAL COLORS			
REV. LTR: E	BY: JLP	REVISED: 01/19/99 10:15	TDR: 0171435
90000		FILE: AAA00005140	MDL: -
		MTL: -	

**BALDOR ELECTRIC Co.**

3PH, DV, 9 LEADS

CD0005

Marketing maintained PDF of MN416:

<http://www.baldor.com/support/Literature/Load.ashx/MN416?ManNumber=MN416>