

BALDOR® • RELIANCE 

Product Information Packet

CXM18522T

5//3HP,3450//2900RPM,3PH,60//50HZ,184TC

Part Detail							
Revision:	-	Status:	PRD/A	Change #:		Proprietary:	No
Type:	AC	Elec. Spec:	36WGS042	CD Diagram:	CD0005	Mfg Plant:	
Mech. Spec:		Layout:	36LYK919	Poles:	02	Created Date:	02-17-2021
Base:		Eff. Date:	02-23-2021	Leads:	9#16		

Specs			
Catalog Number:	CXM18522T	Drip Cover:	No Drip Cover
Enclosure:	XPFC	Duty Rating:	CONT
Frame:	184TC	Electrically Isolated Bearing:	Not Electrically Isolated
Frame Material:	Steel	Feedback Device:	NO FEEDBACK
Output @ Frequency:	5.000 HP @ 60 HZ	Heater Indicator:	No Heater
	3.000 HP @ 50 HZ	Insulation Class:	F
Synchronous Speed @ Frequency:	3600 RPM @ 60 HZ	Inverter Code:	Inverter Duty
Voltage @ Frequency:	190.0 V @ 50 HZ	IP Rating:	NONE
	230.0 V @ 60 HZ	KVA Code:	L
	380.0 V @ 50 HZ	Lifting Lugs:	No Lifting Lugs
	460.0 V @ 60 HZ	Locked Bearing Indicator:	Locked Bearing
XP Class and Group:	CLI GP D; CLII GP F,G	Motor Lead Termination:	Flying Leads
XP Division:	Division I	Motor Type:	3630M
Agency Approvals:	UR	Mounting Arrangement:	F1
	CSA EEV	Power Factor:	91
	CSA	Product Family:	General Purpose
Auxillary Box:	No Auxillary Box	Pulley Face Code:	C-Face
Auxillary Box Lead Termination:	None	Rodent Screen:	None

Base Indicator:	Rigid	Shaft Ground Indicator:	No Shaft Grounding
Bearing Grease Type:	Polyrex EM (-20F +300F)	Shaft Rotation:	Reversible
Blower:	None	Speed Code:	Single Speed
Constant Torque Speed Range:	6	Motor Standards:	NEMA
Current @ Voltage:	8.800 A @ 190.0 V	Starting Method:	Direct on line
	5.900 A @ 460.0 V	Thermal Device - Bearing:	None
	4.400 A @ 380.0 V	Thermal Device - Winding:	Normally Closed Thermostat
	12.000 A @ 208.0 V	Vibration Sensor Indicator:	No Vibration Sensor
	11.800 A @ 230.0 V	Winding Thermal 1:	None
Design Code:	A	Winding Thermal 2:	None
		XP Temp Code:	T3C

Nameplate NP0887XPSLEV									
NO.					CC	010A			
S/N					TEMP CODE	T3C			
SPEC.	36-0000-0467				INV. TYPE	PWM			
CAT.NO.	CXM18522T				C HP FR	60		C HP TO	90
HP	5//3				CT HZ FROM	6		CT HZ TO	60
VOLTS	230/460//190/380				VT HZ FROM	6		VT HZ TO	60
AMPS	11.8/5.9//8.8/4.4				MAG CUR	3.4/1.7			
RPM	3450//2900				MX RPM	5400			
HZ	60//50	PH	3	CL	F	NOM.EFF.	88.5		
SER.F.	1.00		DES	A	SL HZ	2.3		WK2	0.14
FRAME	184TC		RATING	40C AMB-CONT					
	NEMA MG-1 PART 5, IP54								
	1.15 SF ON SINE WAVE								

Parts List		
Part Number	Description	Quantity
SA391080	SA 36-0000-0467	1.000 EA
RA381549	RA 36-0000-0467	1.000 EA
LB1119N	WARNING LABEL	1.000 EA
LC0145B01	CONNECTION LABEL	1.000 EA
NP0887XPSLEV	SS XP INV UL CSA-EEV CC CL-I GP-D	1.000 EA
85XU0407S04	4X1/4 U DRIVE PIN STAINLESS	2.000 EA
85XU0407S04	4X1/4 U DRIVE PIN STAINLESS	4.000 EA
MN416A01	TAG-INSTAL-MAINT no wire (2100/bx) 4/22	1.000 EA
NP0018F	ALUM UL XP CONDUIT BOX NAMEPLATE	1.000 EA
36FH4009A70	IEC FH W/(2)GREASER HOLES, W/ PRIMER	1.000 EA
51XW1032A06	10-32 X .38, TAPTITE II, HEX WSHR SLTD S	3.000 EA
36FN3000C01SP	EXFN, PLASTIC, 5.25 OD, .912 ID	1.000 EA
51XB1214A16	12-14X1.00 HXWSSLD SERTYB	1.000 EA
MJ1000A02	GREASE, MOBIL POLYREX EM - 124047	0.050 LB
HA3105A06	THRUBOLT- 3/8-16 X 10.500 X	4.000 EA
WD4100A03	DE-750 HEYCO PLUG 62MP0750 MICRO PLASTIC	2.000 EA
36EP3700A01	FR ENDPLATE, MACH	1.000 EA
HW5100A05	WVY WSHR F/205 & 304 BRGS	1.000 EA
HW4500A19	1/4-28X1/4 SLOTTED PLUG F/S	2.000 EA
36EP1703A01	PU ENDPLATE, MACH	1.000 EA
84XN1032J20	SCREW, SOC 10-32 X 1 1/4"BMH4602	2.000 EA
HW4001A01	1/4 HX SOC PIPE PLG (F/S) ALLOY STEEL W/	2.000 EA
60XN1032A07	10-32 X .4375 TRUSS HEAD, TORX SERRATED	2.000 EA
HW3022E05	.125 DIA X .500 ROLLED SPRING PIN	1.000 EA

Parts List (continued)		
Part Number	Description	Quantity
35CB3001A02SP	EXPL PROOF CONDUIT BOX, 3/4"PIPE TAP LEA	1.000 EA
11XW1032G06	10-32 X .38, TAPTITE II, HEX WSHR SLTD U	1.000 EA
HW3001B01	BRASS CUP WASHER, FOR #10 SCREW	1.000 EA
35CB3500A01SP	CONDUIT BOX LID, MACH	1.000 EA
51XN2520A16	SCREW, HEX WS SLT, ZN, 1/4-20 X 1.00	4.000 EA
MG1500Y02	WILKOPON PRIMER YELLOW	0.022 GA
MG1025G29	WILKOFASST, 789.229, DARK CHARCOAL GRAY	0.022 GA
36PA1001	PKG GRP, PRINT PK1017A06	1.000 EA
HW2501E19	STD SQUARE KEY .25 SQUARE X 2.125 LONG	1.000 EA
HA7000A02	KEY RETAINER RING, 1 1/8 DIA, 1 3/8 DIA	1.000 EA

AC Induction Motor Performance Data

Record # 49265

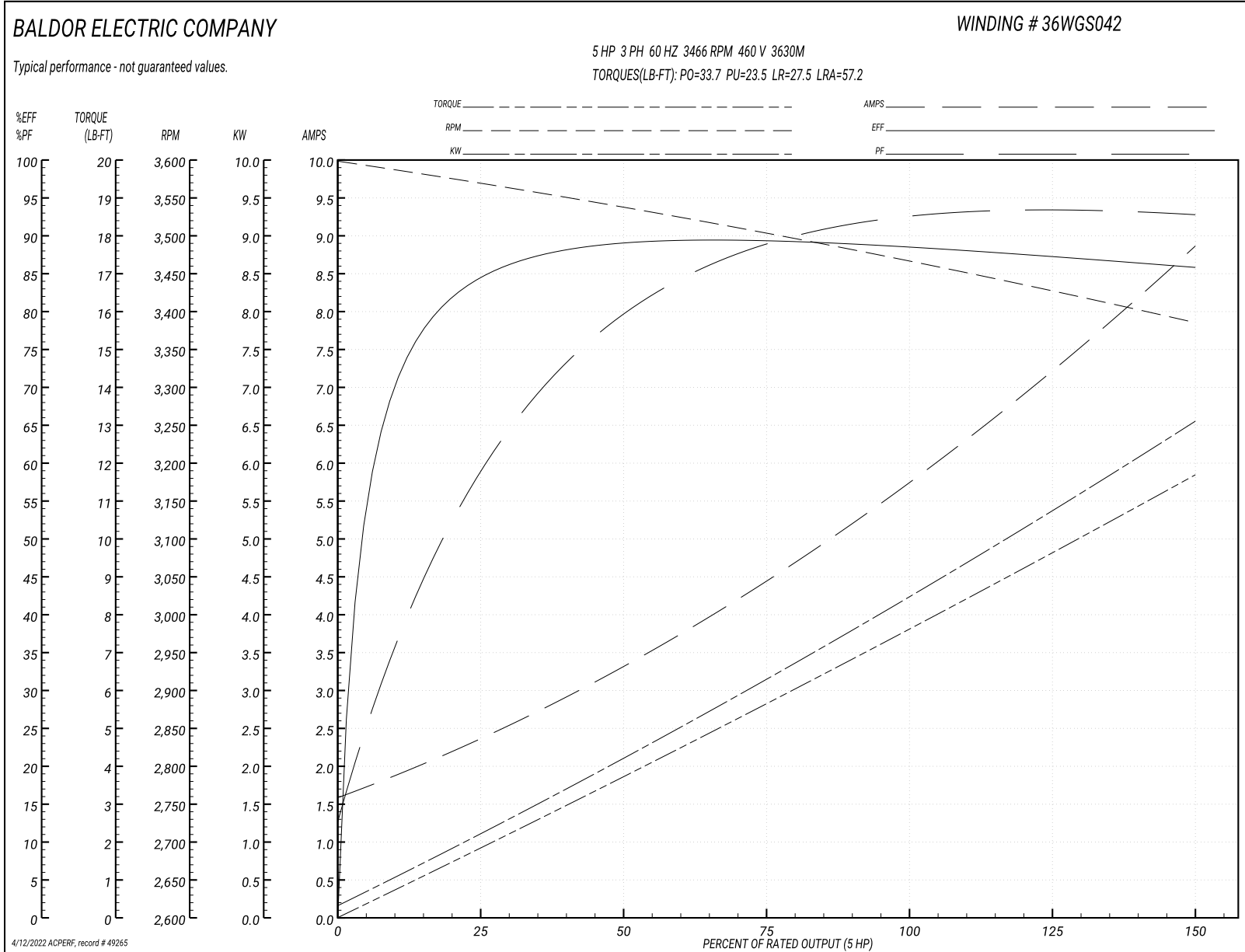
Typical performance - not guaranteed values

Winding: 36WGS042-R049		Type: 3630M		Enclosure: TEFC	
Nameplate Data			460 V, 60 Hz: High Voltage Connection		
Rated Output (HP)	5//3		Full Load Torque	7.67 LB-FT	
Volts	230/460//190/380		Start Configuration	direct on line	
Full Load Amps	11.8/5.9//9/4.5		Breakdown Torque	33.7 LB-FT	
R.P.M.	3450//2900		Pull-up Torque	23.5 LB-FT	
Hz	60//50	Phase	3	Locked-rotor Torque	27.5 LB-FT
NEMA Design Code	A KVA Code		L	Starting Current	57.2 A
Service Factor (S.F.)			1.15	No-load Current	1.68 A
NEMA Nom. Eff.	88.5	Power Factor	91	Line-line Res. @ 25°C	2.26 Ω
Rating - Duty	40C AMB-CONT			Temp. Rise @ Rated Load	72°C
S.F. Amps				Temp. Rise @ S.F. Load	88°C
				Locked-rotor Power Factor	45.1
				Rotor inertia	0.134 LB-FT ²

Load Characteristics 460 V, 60 Hz, 5 HP

% of Rated Load	25	50	75	100	125	150	S.F.
Power Factor	62	81	88	91	93	94	92
Efficiency	84.1	88.9	89.4	88.7	87.3	85.8	87.9
Speed	3569	3537	3504	3466	3428	3385	3443
Line amperes	2.24	3.26	4.47	5.85	7.26	8.8	6.7

Performance Graph at 460V, 60Hz, 5.0HP Typical performance - Not guaranteed values



AC Induction Motor Performance Data

Record # 49266

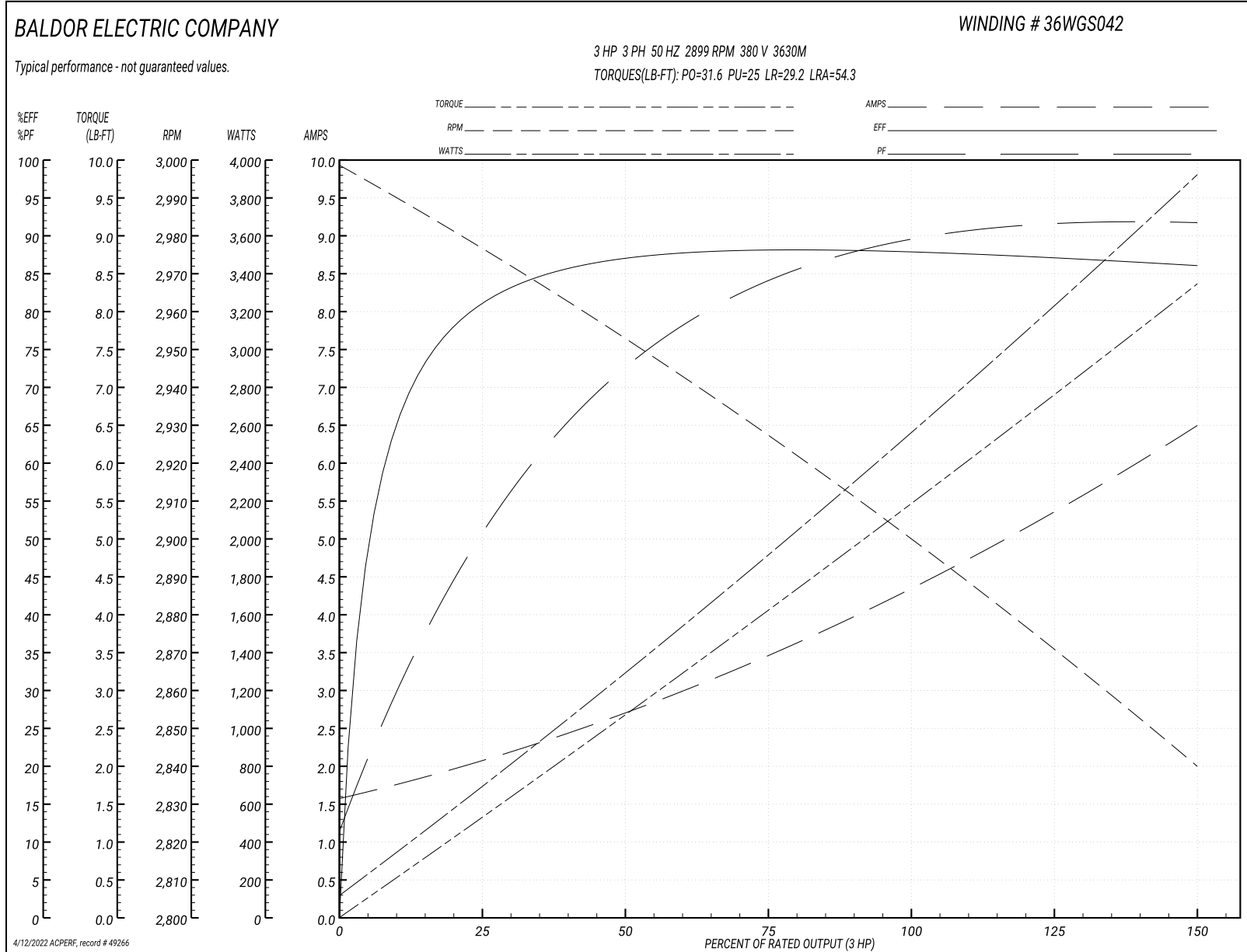
Typical performance - not guaranteed values

Winding: 36WGS042-R049		Type: 3630M		Enclosure: TEFC	
Nameplate Data			380 V, 50 Hz: High Voltage Connection		
Rated Output (HP)	5//3		Full Load Torque	5.5 LB-FT	
Volts	230/460//190/380		Start Configuration	direct on line	
Full Load Amps	11.8/5.9//8.8/4.4		Breakdown Torque	31.6 LB-FT	
R.P.M.	3450//2900		Pull-up Torque	25 LB-FT	
Hz	60//50	Phase	3	Locked-rotor Torque	29.2 LB-FT
NEMA Design Code	A KVA Code		L	Starting Current	54.3 A
Service Factor (S.F.)			1.15	No-load Current	1.64 A
NEMA Nom. Eff.	88.5	Power Factor	91	Line-line Res. @ 25°C	2.26 Ω
Rating - Duty	40C AMB-CONT			Temp. Rise @ Rated Load	48°C
S.F. Amps				Temp. Rise @ S.F. Load	58°C
				Locked-rotor Power Factor	51.3
				Rotor inertia	0.134 LB-FT ²

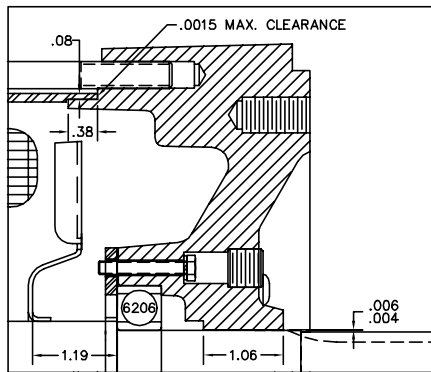
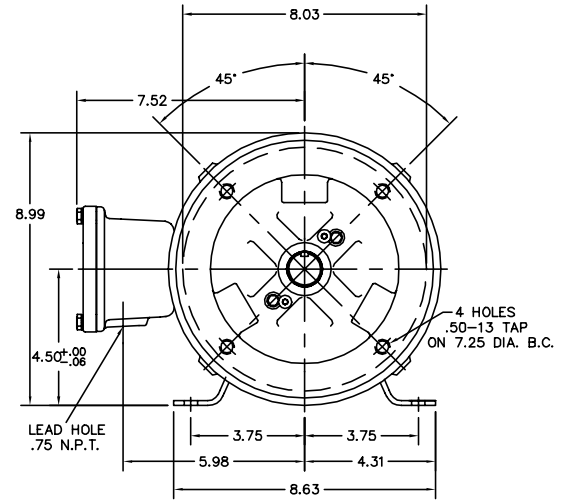
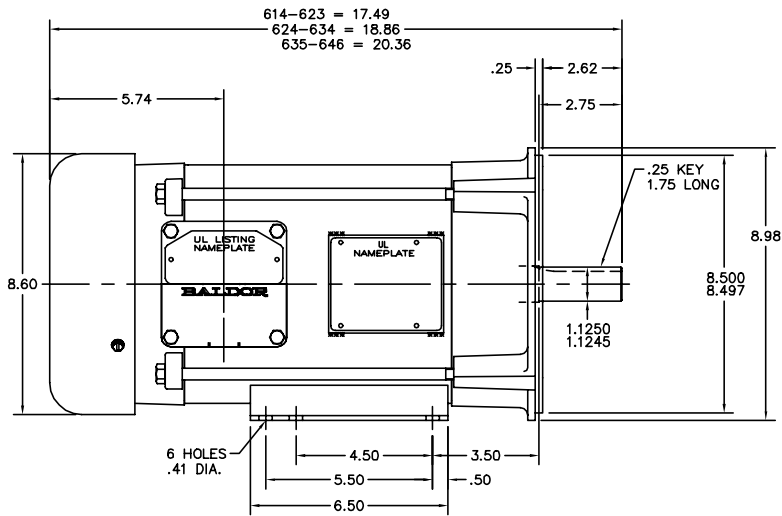
Load Characteristics 380 V, 50 Hz, 3 HP

% of Rated Load	25	50	75	100	125	150	S.F.
Power Factor	53	74	84	88	91	92	90
Efficiency	80.5	86.8	88.3	88.1	87.1	86.1	87.5
Speed	2976	2953	2928	2899	2871	2840	2882
Line amperes	1.99	2.66	3.48	4.42	5.39	6.45	5

Performance Graph at 380V, 50Hz, 3.0HP Typical performance - Not guaranteed values



36LYK919



PULLEY END DETAIL

CUSTOMER IS RESPONSIBLE FOR DETERMINING THAT MOTOR PERFORMANCE IS SUITABLE IN THE APPLICATION.

REV. DESC:	NEW
REV. LTR:	- BY: RMP REVISED: 07:33:00 02/20/2004 TDR: 324828
FILE:	AAA00114068 REF: 36LYK919
MTL:	-

BALDOR ELECTRIC Co.

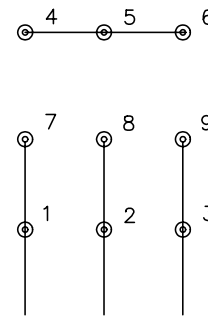
HORZ 182-4TC XPFC 36M DUAL CLASS, INVERTER DUTY

36LYK919

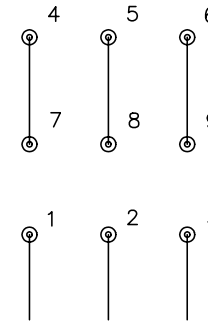
CD0005



LOW VOLTAGE
(2Y)



HIGH VOLTAGE
(1Y)



NOTES:

1. INTERCHANGE ANY TWO LINE LEADS TO REVERSE ROTATION.
2. OPTIONAL THERMOSTATS ARE PROVIDED WHEN SPECIFIED.
3. ACTUAL NUMBER OF INTERNAL PARALLEL CIRCUITS MAY BE A MULTIPLE OF THOSE SHOWN ABOVE.
4. LEAD COLORS ARE OPTIONAL. LEADS MUST ALWAYS BE NUMBERED AS SHOWN.

REV. DESC: REVISE TO SHOW OPTIONAL COLORS			
REV. LTR: E	BY: JLP	REVISED: 01/19/99 10:15	TDR: 0171435
900000		FILE: AAA00005140	MDL: -
		MTL: -	

BALDOR ELECTRIC Co.

3PH, DV, 9 LEADS

CD0005

Marketing maintained PDF of MN416:

<http://www.baldor.com/support/Literature/Load.ashx/MN416?ManNumber=MN416>