

BALDOR® • RELIANCE 

Product Information Packet

CXM18542T

5//3HP,1750//1460RPM,3PH,60//50HZ,184TC

Part Detail							
Revision:	B	Status:	PRD/A	Change #:		Proprietary:	No
Type:	AC	Elec. Spec:	36WGR866	CD Diagram:	CD0005	Mfg Plant:	
Mech. Spec:		Layout:	36LYK919	Poles:	04	Created Date:	11-12-2020
Base:		Eff. Date:	04-16-2021	Leads:	9#16		

Specs			
Catalog Number:	CXM18542T	Electrically Isolated Bearing:	Not Electrically Isolated
Enclosure:	XPFC	Feedback Device:	NO FEEDBACK
Frame:	184TC	Heater Indicator:	No Heater
Frame Material:	Steel	Insulation Class:	F
Output @ Frequency:	3.000 HP @ 50 HZ	Inverter Code:	Inverter Duty
	5.000 HP @ 60 HZ	IP Rating:	NONE
Synchronous Speed @ Frequency:	1800 RPM @ 50 HZ	KVA Code:	L
Voltage @ Frequency:	230.0 V @ 60 HZ	Lifting Lugs:	No Lifting Lugs
	190.0 V @ 50 HZ	Locked Bearing Indicator:	No Locked Bearing
	460.0 V @ 60 HZ	Motor Lead Termination:	Flying Leads
	380.0 V @ 50 HZ	Motor Type:	3646M
XP Class and Group:	CLI GP D; CLII GP F,G	Mounting Arrangement:	F1
XP Division:	Division I	Power Factor:	74
Agency Approvals:	CSA EEV	Product Family:	General Purpose
	UL	Pulley Face Code:	C-Face
Auxillary Box:	No Auxillary Box	Rodent Screen:	None
Auxillary Box Lead Termination:	None	RoHS Status:	ROHS NON-COMPLIANT
Base Indicator:	Rigid	Shaft Ground Indicator:	No Shaft Grounding

Bearing Grease Type:	Polyrex EM (-20F +300F)	Shaft Rotation:	Reversible
Blower:	None	Speed Code:	Single Speed
Constant Torque Speed Range:	30	Motor Standards:	NEMA
Current @ Voltage:	5.600 A @ 380.0 V	Starting Method:	Direct on line
	6.800 A @ 460.0 V	Thermal Device - Bearing:	None
	13.600 A @ 230.0 V	Thermal Device - Winding:	Normally Closed Thermostat
	11.200 A @ 190.0 V	Vibration Sensor Indicator:	No Vibration Sensor
Design Code:	A	Winding Thermal 1:	None
Drip Cover:	No Drip Cover	Winding Thermal 2:	None
Duty Rating:	CONT	XP Temp Code:	T3C

Nameplate NP0887XPSLEV										
NO.						CC	010A			
S/N						TEMP CODE	T3C			
SPEC.	36-0000-0439					INV.TYPE	PWM			
CAT.NO.	CXM18542T					C HP FR	60		C HP TO	90
HP	5//3					CT HZ FROM	30		CT HZ TO	60
VOLTS	230/460//190/380					VT HZ FROM	6		VT HZ TO	60
AMPS	13.6/6.8//11.2/5.6					MAG CUR	7.4/3.7			
RPM	1750//1460					MX RPM	2700			
HZ	60//50	PH	3	CL	F	NOM.EFF.	89.5			
SER.F.	1.00	DES	A	SL HZ	1.4	WK2	0.428			
FRAME	184TC	RATING	40C AMB-CONT							
NEMA MG-1 PART 5, IP54					1.15 SF SINEWAVE					

Parts List		
Part Number	Description	Quantity
SA388102	SA 36-0000-0439	1.000 EA
RA378447	RA 36-0000-0439	1.000 EA
LB1119N	WARNING LABEL	1.000 EA
LC0145B01	CONNECTION LABEL	1.000 EA
NP0887XPSLEV	SS XP INV UL CSA-EEV CC CL-I GP-D	1.000 EA
85XU0407S04	4X1/4 U DRIVE PIN STAINLESS	4.000 EA
85XU0407S04	4X1/4 U DRIVE PIN STAINLESS	2.000 EA
MN416A01	TAG-INSTAL-MAINT no wire (2100/bx) 4/22	1.000 EA
NP0018F	ALUM UL XP CONDUIT BOX NAMEPLATE	1.000 EA
36FH4009A70	IEC FH W/(2)GREASER HOLES, W/ PRIMER	1.000 EA
51XW1032A06	10-32 X .38, TAPTITE II, HEX WSHR SLTD S	3.000 EA
36FN3000C01SP	EXFN, PLASTIC, 5.25 OD, .912 ID	1.000 EA
MJ1000A02	GREASE, MOBIL POLYREX EM - 124047	0.050 LB
HA3105A09	THRUBOLT 3/8-16 X 12.000	4.000 EA
WD4100A03	DE-750 HEYCO PLUG 62MP0750 MICRO PLASTIC	2.000 EA
36EP3700A01	FR ENDPLATE, MACH	1.000 EA
HW5100A05	WVY WSHR F/205 & 304 BRGS	1.000 EA
HW4500A19	1/4-28X1/4 SLOTTED PLUG F/S	2.000 EA
36EP1703A01	PU ENDPLATE, MACH	1.000 EA
84XN1032J20	SCREW, SOC 10-32 X 1 1/4"BMH4602	2.000 EA
HW4001A01	1/4 HX SOC PIPE PLG (F/S) ALLOY STEEL W/	2.000 EA
60XN1032A07	10-32 X .4375 TRUSS HEAD, TORX SERRATED	2.000 EA
HW3022E05	.125 DIA X .500 ROLLED SPRING PIN	1.000 EA
35CB3001A02SP	EXPL PROOF CONDUIT BOX, 3/4"PIPE TAP LEA	1.000 EA

Parts List (continued)		
Part Number	Description	Quantity
11XW1032G06	10-32 X .38, TAPTITE II, HEX WSHR SLTD U	1.000 EA
HW3001B01	BRASS CUP WASHER, FOR #10 SCREW	1.000 EA
35CB3500A01SP	CONDUIT BOX LID, MACH	1.000 EA
51XN2520A16	SCREW, HEX WS SLT, ZN, 1/4-20 X 1.00	4.000 EA
MG1500Y02	WILKOPON PRIMER YELLOW	0.022 GA
MG1025G29	WILKOFASST, 789.229, DARK CHARCOAL GRAY	0.022 GA
G0PA1000	PKG GRP, PRINT PK1026A06	1.000 EA
HW2501E16	KEY, 1/4 SQ X 1.750	1.000 EA
HA7000A02	KEY RETAINER RING, 1 1/8 DIA, 1 3/8 DIA	1.000 EA

AC Induction Motor Performance Data

Record # 78059

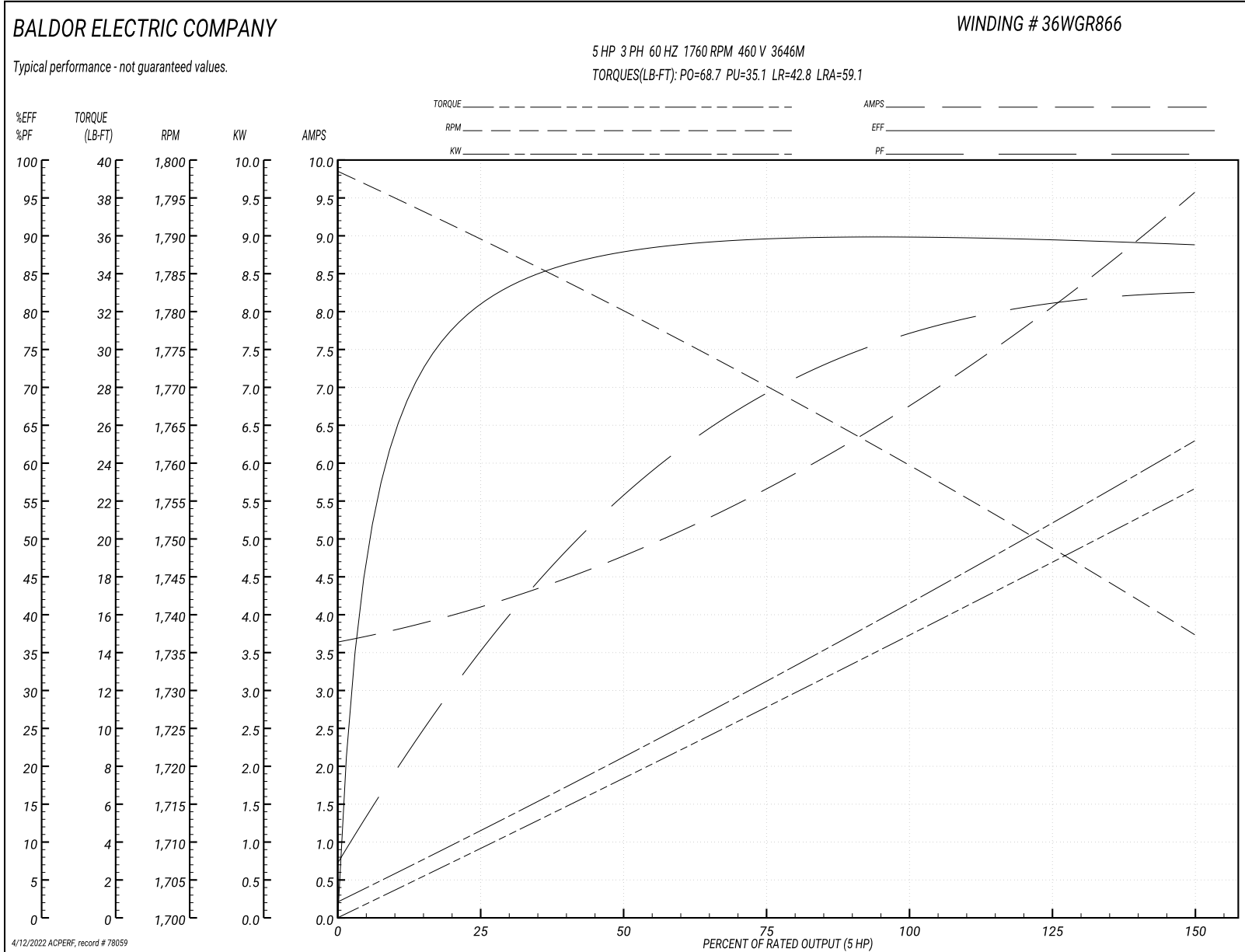
Typical performance - not guaranteed values

Winding: 36WGR866-R001		Type: 3646M		Enclosure: XPFC	
Nameplate Data			460 V, 60 Hz: High Voltage Connection		
Rated Output (HP)	5//3		Full Load Torque	14.92 LB-FT	
Volts	230/460//190/380		Start Configuration	direct on line	
Full Load Amps	13.6/6.8//11.2/5.6		Breakdown Torque	68.7 LB-FT	
R.P.M.	1750//1460		Pull-up Torque	35.1 LB-FT	
Hz	60//50	Phase	3	Locked-rotor Torque	42.8 LB-FT
NEMA Design Code	A	KVA Code	L	Starting Current	59.1 A
Service Factor (S.F.)	1		No-load Current	3.71 A	
NEMA Nom. Eff.	89.5	Power Factor	74	Line-line Res. @ 25°C	1.91 Ω
Rating - Duty	40C AMB-CONT		Temp. Rise @ Rated Load	58°C	
			Locked-rotor Power Factor	39.7	
			Rotor inertia	0.428 LB-FT ²	

Load Characteristics 460 V, 60 Hz, 5 HP

% of Rated Load	25	50	75	100	125	150
Power Factor	36	57	69	76	81	83
Efficiency	80.6	87.7	89.6	89.8	89.5	88.7
Speed	1789	1780	1770	1760	1749	1737
Line amperes	4.01	4.72	5.7	6.83	8.1	9.53

Performance Graph at 460V, 60Hz, 5.0HP Typical performance - Not guaranteed values



AC Induction Motor Performance Data

Record # 78060

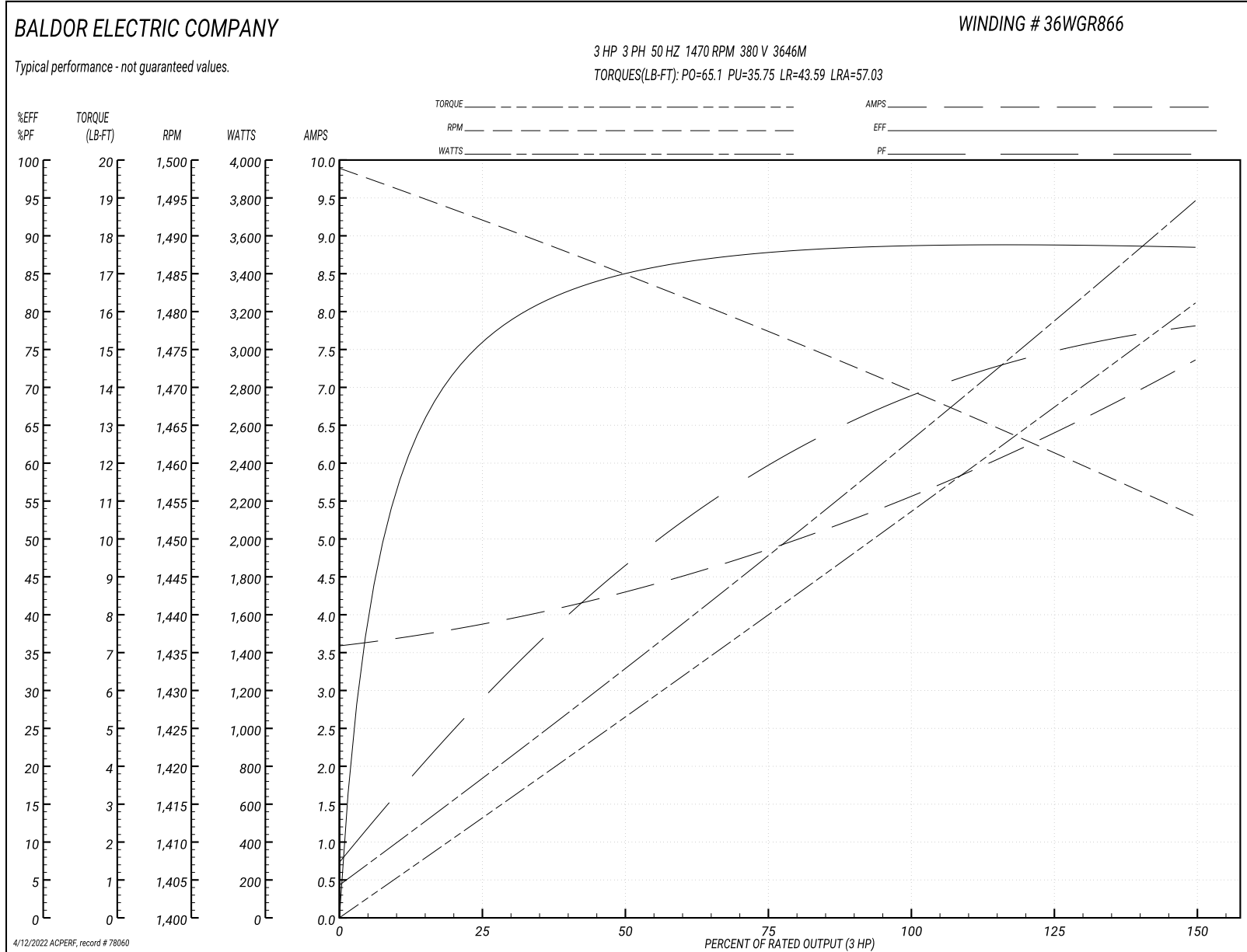
Typical performance - not guaranteed values

Winding: 36WGR866-R001		Type: 3646M		Enclosure: XPFC	
Nameplate Data			380 V, 50 Hz: High Voltage Connection		
Rated Output (HP)	5//3		Full Load Torque	10.7 LB-FT	
Volts	230/460//190/380		Start Configuration	direct on line	
Full Load Amps	13.6/6.8//11.2/5.6		Breakdown Torque	65.1 LB-FT	
R.P.M.	1750//1460		Pull-up Torque	35.75 LB-FT	
Hz	60//50	Phase	3	Locked-rotor Torque	43.59 LB-FT
NEMA Design Code	A	KVA Code	L	Starting Current	57.03 A
Service Factor (S.F.)	1		No-load Current	3.63 A	
NEMA Nom. Eff.	89.5	Power Factor	74	Line-line Res. @ 25°C	1.91 Ω
Rating - Duty	40C AMB-CONT		Temp. Rise @ Rated Load	42°C	
			Locked-rotor Power Factor	44	
			Rotor inertia	0.428 LB-FT ²	

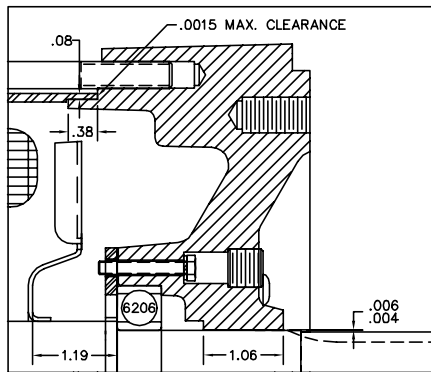
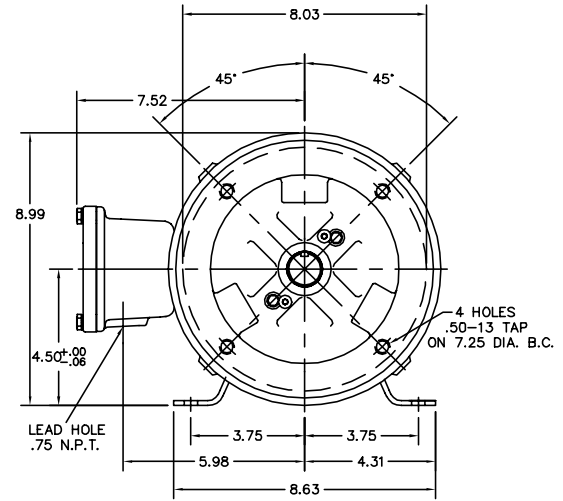
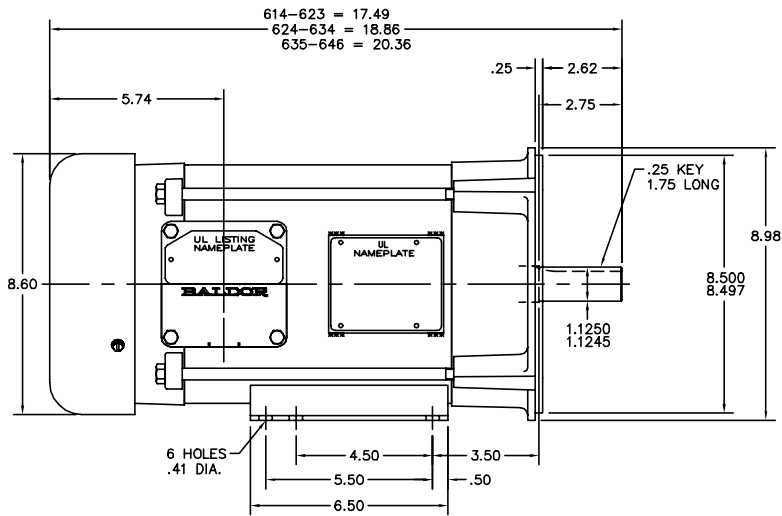
Load Characteristics 380 V, 50 Hz, 3 HP

% of Rated Load	25	50	75	100	125	150
Power Factor	29	47	60	68	75	78
Efficiency	75.9	84.9	87.8	88.7	88.8	88.4
Speed	1492	1485	1477	1470	1461	1453
Line amperes	3.82	4.27	4.89	5.6	6.42	7.34

Performance Graph at 380V, 50Hz, 3.0HP Typical performance - Not guaranteed values



36LYK919



PULLEY END DETAIL

CUSTOMER IS RESPONSIBLE FOR DETERMINING THAT MOTOR PERFORMANCE IS SUITABLE IN THE APPLICATION.

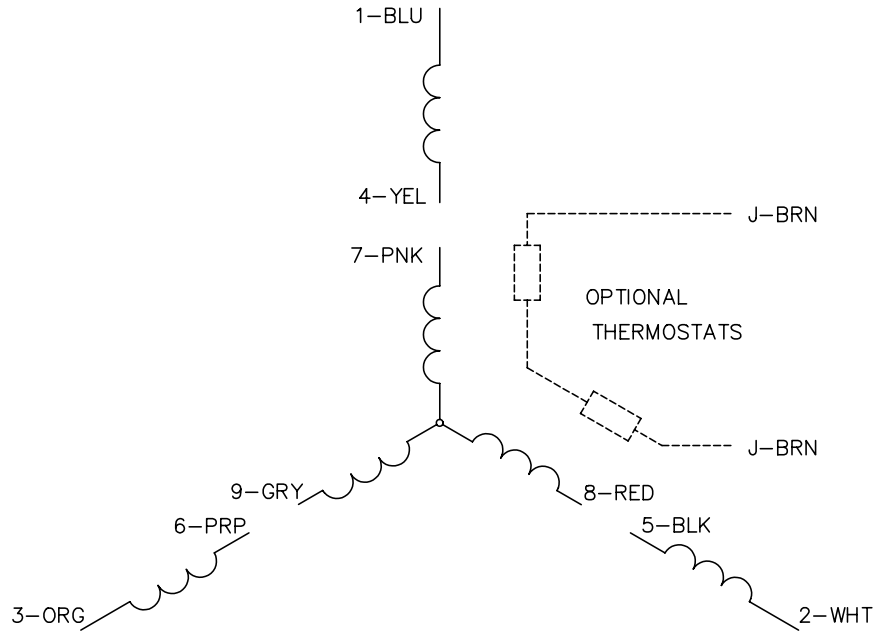
REV. DESC:	NEW
REV. LTR:	- BY: RMP REVISED: 07:33:00 02/20/2004 TDR: 324828
FILE:	AAA00114068 REF: 36LYK919
MTL:	-

BALDOR ELECTRIC Co.

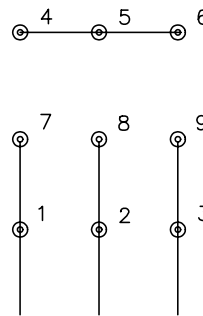
HORZ 182-4TC XPFC 36M DUAL CLASS, INVERTER DUTY

36LYK919

CD0005

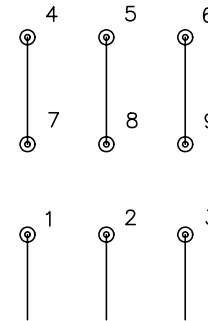


LOW VOLTAGE
(2Y)



LINE

HIGH VOLTAGE
(1Y)



LINE

NOTES:

1. INTERCHANGE ANY TWO LINE LEADS TO REVERSE ROTATION.
2. OPTIONAL THERMOSTATS ARE PROVIDED WHEN SPECIFIED.
3. ACTUAL NUMBER OF INTERNAL PARALLEL CIRCUITS MAY BE A MULTIPLE OF THOSE SHOWN ABOVE.
4. LEAD COLORS ARE OPTIONAL. LEADS MUST ALWAYS BE NUMBERED AS SHOWN.

REV. DESC: REVISE TO SHOW OPTIONAL COLORS

REV. LTR: E BY: JLP

REVISED: 01/19/99 10:15

TDR: 0171435

900003

FILE: AAA00005140

MDL: -

MTL: -

BALDOR ELECTRIC Co.

3PH, DV, 9 LEADS

CD0005

Marketing maintained PDF of MN416:

<http://www.baldor.com/support/Literature/Load.ashx/MN416?ManNumber=MN416>