

BALDOR® • RELIANCE 

Product Information Packet

CXM251522T

15//10HP,3520//2930RPM,3PH,60//50HZ,254T

Part Detail							
Revision:	D	Status:	PRD/A	Change #:		Proprietary:	No
Type:	AC	Elec. Spec:	09WGZ864	CD Diagram:	CD0180	Mfg Plant:	
Mech. Spec:		Layout:	09LYE689	Poles:	02	Created Date:	02-16-2021
Base:		Eff. Date:	12-10-2021	Leads:	9#12		

Specs			
Catalog Number:	CXM251522T	Drip Cover:	No Drip Cover
Enclosure:	XPFC	Duty Rating:	CONT
Frame:	254TC	Electrically Isolated Bearing:	Not Electrically Isolated
Frame Material:	Iron	Feedback Device:	NO FEEDBACK
Output @ Frequency:	15.000 HP @ 60 HZ	Heater Indicator:	No Heater
	10.000 HP @ 50 HZ	Insulation Class:	F
Synchronous Speed @ Frequency:	3600 RPM @ 60 HZ	Inverter Code:	Inverter Duty
Voltage @ Frequency:	190.0 V @ 50 HZ	IP Rating:	NONE
	230.0 V @ 60 HZ	KVA Code:	G
	380.0 V @ 50 HZ	Lifting Lugs:	Standard Lifting Lugs
	460.0 V @ 60 HZ	Locked Bearing Indicator:	Locked Bearing
XP Class and Group:	CLI GP D; CLII GP F,G	Motor Lead Termination:	Flying Leads
XP Division:	Division I	Motor Type:	0930M
Agency Approvals:	UR	Mounting Arrangement:	F1
	CSA EEV	Power Factor:	87
	CSA	Product Family:	Hazardous Location Motor
Auxillary Box:	No Auxillary Box	Pulley Face Code:	C-Face
Auxillary Box Lead Termination:	None	Rodent Screen:	None

Base Indicator:	Rigid	Shaft Ground Indicator:	No Shaft Grounding
Bearing Grease Type:	Polyrex EM (-20F +300F)	Shaft Rotation:	Reversible
Blower:	None	Speed Code:	Single Speed
Constant Torque Speed Range:	6	Motor Standards:	NEMA
Current @ Voltage:	38.000 A @ 208.0 V	Starting Method:	Direct on line
	35.000 A @ 230.0 V	Thermal Device - Bearing:	None
	29.400 A @ 190.0 V	Thermal Device - Winding:	Normally Closed Thermostat
	17.500 A @ 460.0 V	Vibration Sensor Indicator:	No Vibration Sensor
	14.700 A @ 380.0 V	Winding Thermal 1:	None
Design Code:	B	Winding Thermal 2:	None
		XP Temp Code:	T3C

Nameplate NP0887XPSLEV									
NO.					CC	010A			
S/N					TEMP CODE	T3C			
SPEC.	09-0000-2928				INV. TYPE	PWM			
CAT.NO.	CXM251522T				C HP FR	60		C HP TO	90
HP	15//10				CT HZ FROM	6		CT HZ TO	60
VOLTS	230/460//190/380				VT HZ FROM	6		VT HZ TO	60
AMPS	34.4/17.2//29/14.5				MAG CUR	11.8/5.9			
RPM	3530//2940				MX RPM	5400			
HZ	60//50	PH	3	CL	F	NOM.EFF.	91		
SER.F.	1.00		DES	A	SL HZ	1.2		WK2	0.87
FRAME	254TC		RATING	40C AMB-CONT					
	NEMA MG-1 PART 5, IP54								
	1.15 SF ON SINE WAVE								

Parts List		
Part Number	Description	Quantity
SA391083	SA 09-0000-2928	1.000 EA
RA381552	RA 09-0000-2928	1.000 EA
LB1115N	LABEL,LIFTING DEVICE (ON ROLLS)	1.000 EA
LB1119N	WARNING LABEL	1.000 EA
LC0181	CONNECTION LABEL	1.000 EA
NP0887XPSLEV	SS XP INV UL CSA-EEV CC CL-I GP-D	1.000 EA
85XU0407S04	4X1/4 U DRIVE PIN STAINLESS	4.000 EA
85XU0407S04	4X1/4 U DRIVE PIN STAINLESS	2.000 EA
MN416A01	TAG-INSTAL-MAINT no wire (2100/bx) 4/22	1.000 EA
LB1073	ALUM XP CAUTION LABEL	1.000 EA
HW3201A01	1/2-13 EYEBOLT	1.000 EA
HW1002A63	WASHER, 5/8 HI-COLLAR SPRLCKWASHER	1.000 EA
09FH1004A01	FAN COVER, MACH	1.000 EA
HW1001A25	LOCKWASHER 1/4, ZINC PLT .493 OD, .255 I	3.000 EA
10XN2520K14	1/4-20 X .88 HEX GRD 5 (20001)	3.000 EA
37FN3002C02	EXFN, PLASTIC, 6.00 OD, 1.503 ID	1.000 EA
HW2500A25	WOODRUFF KEY USA #1008 #BLOW CARBON STEE	1.000 EA
MJ1000A02	GREASE, MOBIL POLYREX EM - 124047	0.080 LB
09EP1700A01	FR ENDPLATE, MACH	1.000 EA
10XN3816K28	3/8-16 X 1.75 HEX HD CAP SCREW, GRADE 5	4.000 EA
HW1001A38	LOCKWASHER 3/8, ZINC PLT .688 OD, .382 I	4.000 EA
HW5100A08	W3118-035 WVY WSHR (WB)	1.000 EA
HW4500A20	1/8NPT SL PIPE PLUG	1.000 EA
HW4500A20	1/8NPT SL PIPE PLUG	1.000 EA

Parts List (continued)		
Part Number	Description	Quantity
HA2002A05	SPACER, #208 BRG	1.000 EA
09EP1708A02	FACE MTD. ENDPLATE, MACH X-PROOF (NEW DE	1.000 EA
HW1001A38	LOCKWASHER 3/8, ZINC PLT .688 OD, .382 I	4.000 EA
10XN3816K28	3/8-16 X 1.75 HEX HD CAP SCREW, GRADE 5	4.000 EA
10XN2520K36	1/4-20 X 2.25" HX HD SCRWGRADE 5, ZINC P	4.000 EA
HW1001A25	LOCKWASHER 1/4, ZINC PLT .493 OD, .255 I	4.000 EA
HW4500A20	1/8NPT SL PIPE PLUG	1.000 EA
HW4500A20	1/8NPT SL PIPE PLUG	1.000 EA
09CB1000A01SP	KOBX, MACH XP W/1.25 NPT	1.000 EA
10XN3118K16	5/16-18 X 1' GRADE #5, STL, ZINC PLATE	4.000 EA
HW1001A31	LOCKWASHER 5/16, ZINC PLT.591 OD, .319 I	4.000 EA
WD1000B16	T&B CX70TN OR L70P TERMINAL LUG	1.000 EA
59XW2520G07	.25-20X.44,HEX SER WSHR,TAPTITE 2,GREEN	1.000 EA
09CB1500A01SP	CONDUIT BOX LID, MACH	1.000 EA
10XN2520K16	1/4-20 X 1" HX HD SCRW GRADE 5, ZINC P	6.000 EA
HW1001A25	LOCKWASHER 1/4, ZINC PLT .493 OD, .255 I	6.000 EA
MG1025G29	WILKOFASST, 789.229, DARK CHARCOAL GRAY	0.070 GA
40PA1005	PACKAGING GROUP, 09 STD	1.000 EA
HW2501G25	KEY, 3/8 SQ X 2.875	1.000 EA
MJ5000A09	EFI KIT #1578 (400 ML CARTRIDGE OF EFI	0.031 EA

AC Induction Motor Performance Data

Record # 38686

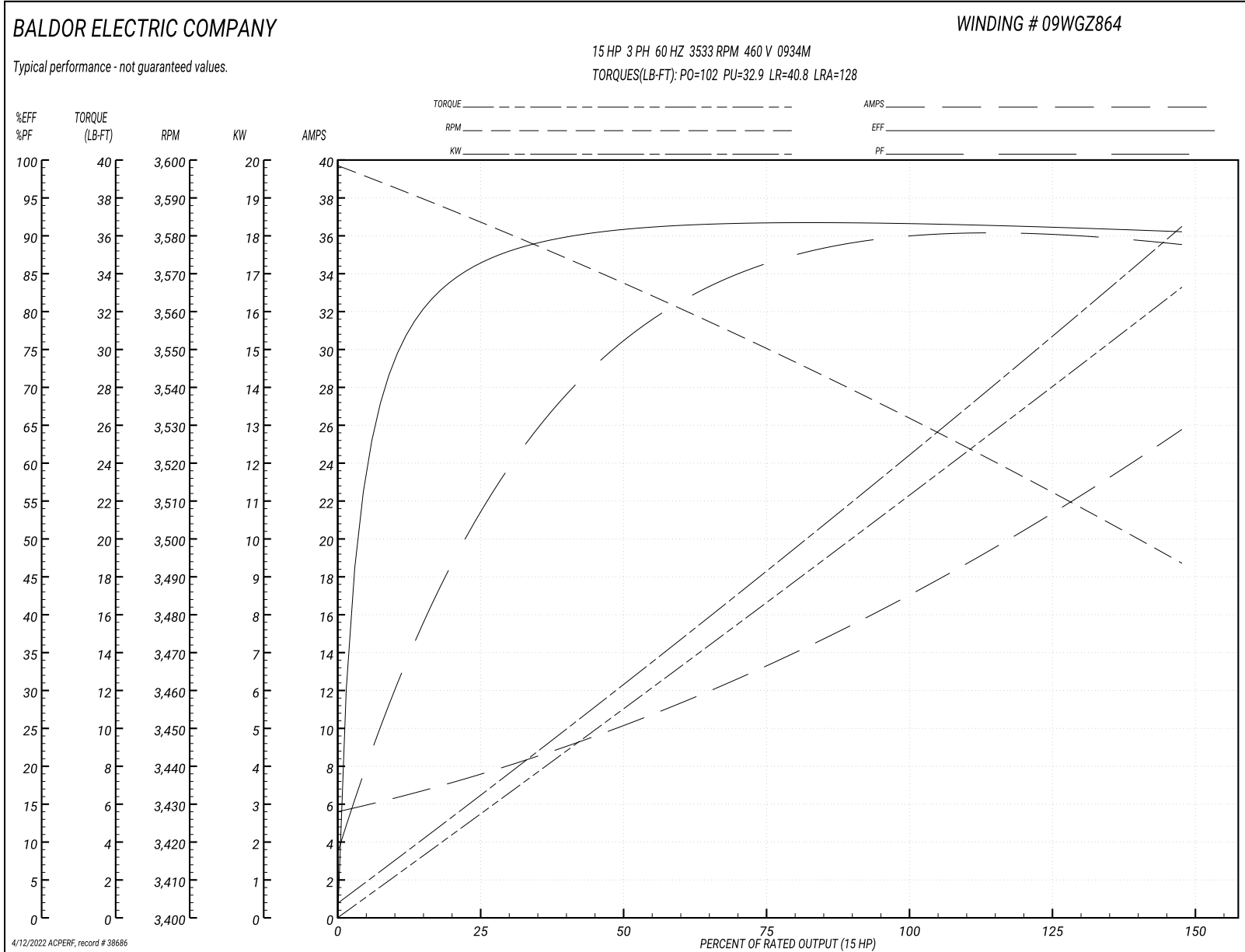
Typical performance - not guaranteed values

Winding: 09WGZ864-R001		Type: 0934M		Enclosure: XPFC	
Nameplate Data			460 V, 60 Hz: High Voltage Connection		
Rated Output (HP)	15//10		Full Load Torque	22.2 LB-FT	
Volts	230/460//190/380		Start Configuration	direct on line	
Full Load Amps	34.4/17.2//29/14.5		Breakdown Torque	102 LB-FT	
R.P.M.	3530//2940		Pull-up Torque	32.9 LB-FT	
Hz	60//50	Phase	3	Locked-rotor Torque	40.8 LB-FT
NEMA Design Code	A	KVA Code	H	Starting Current	128 A
Service Factor (S.F.)	1.15		No-load Current	5.9 A	
NEMA Nom. Eff.	91	Power Factor	88	Line-line Res. @ 25°C	0.591 Ω
Rating - Duty	40C AMB-CONT		Temp. Rise @ Rated Load	56°C	
S.F. Amps			Temp. Rise @ S.F. Load	70°C	
			Locked-rotor Power Factor	29.4	
			Rotor inertia	0.868 LB-FT ²	

Load Characteristics 460 V, 60 Hz, 15 HP

% of Rated Load	25	50	75	100	125	150	S.F.
Power Factor	57	78	86	89	90	90	90
Efficiency	86.2	90.8	91.7	91.6	91.3	90.5	91.5
Speed	3583	3567	3550	3533	3514	3493	3522
Line amperes	7.2	10	13.4	17.2	21.2	25.6	19.6

Performance Graph at 460V, 60Hz, 15.0HP Typical performance - Not guaranteed values



AC Induction Motor Performance Data

Record # 38687

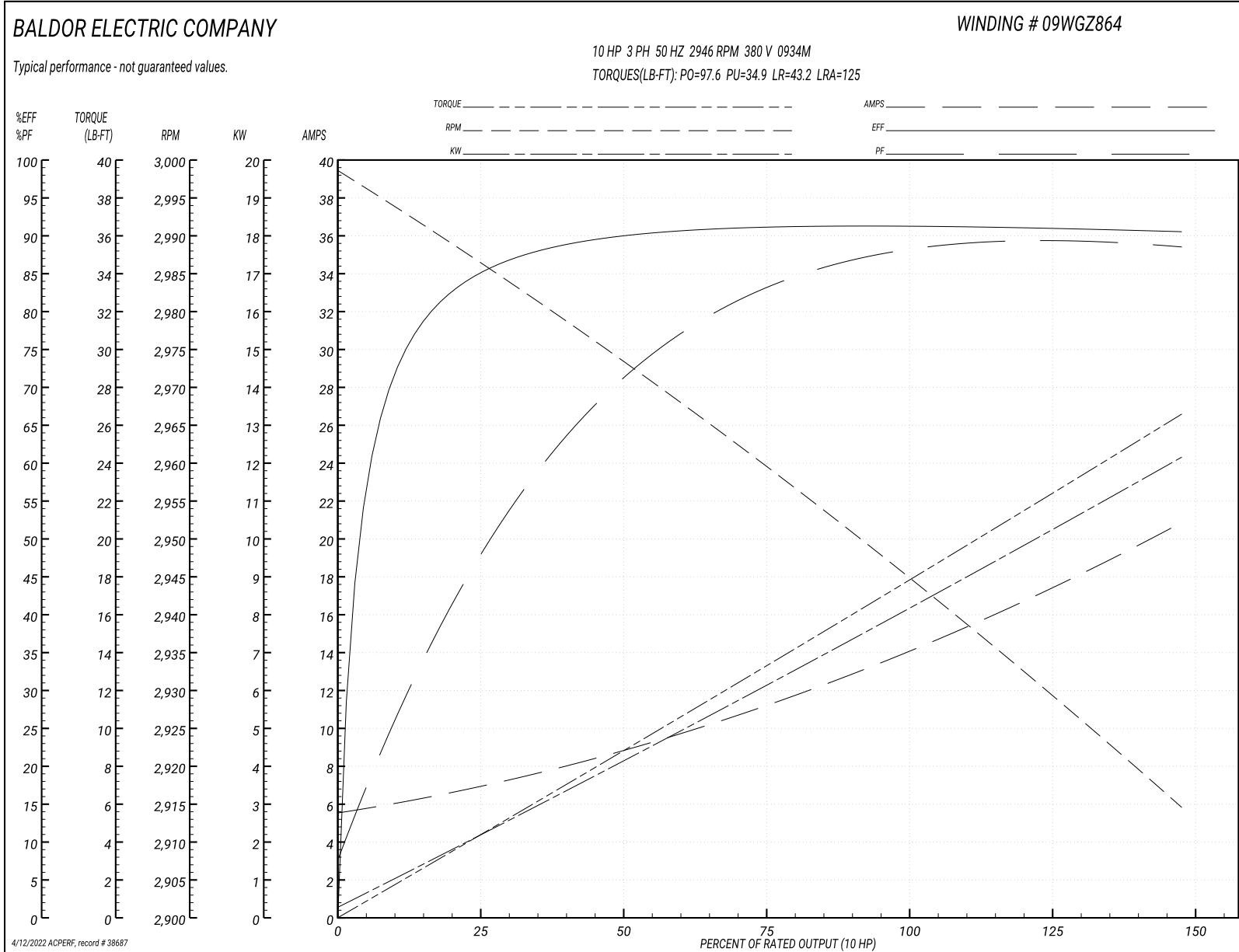
Typical performance - not guaranteed values

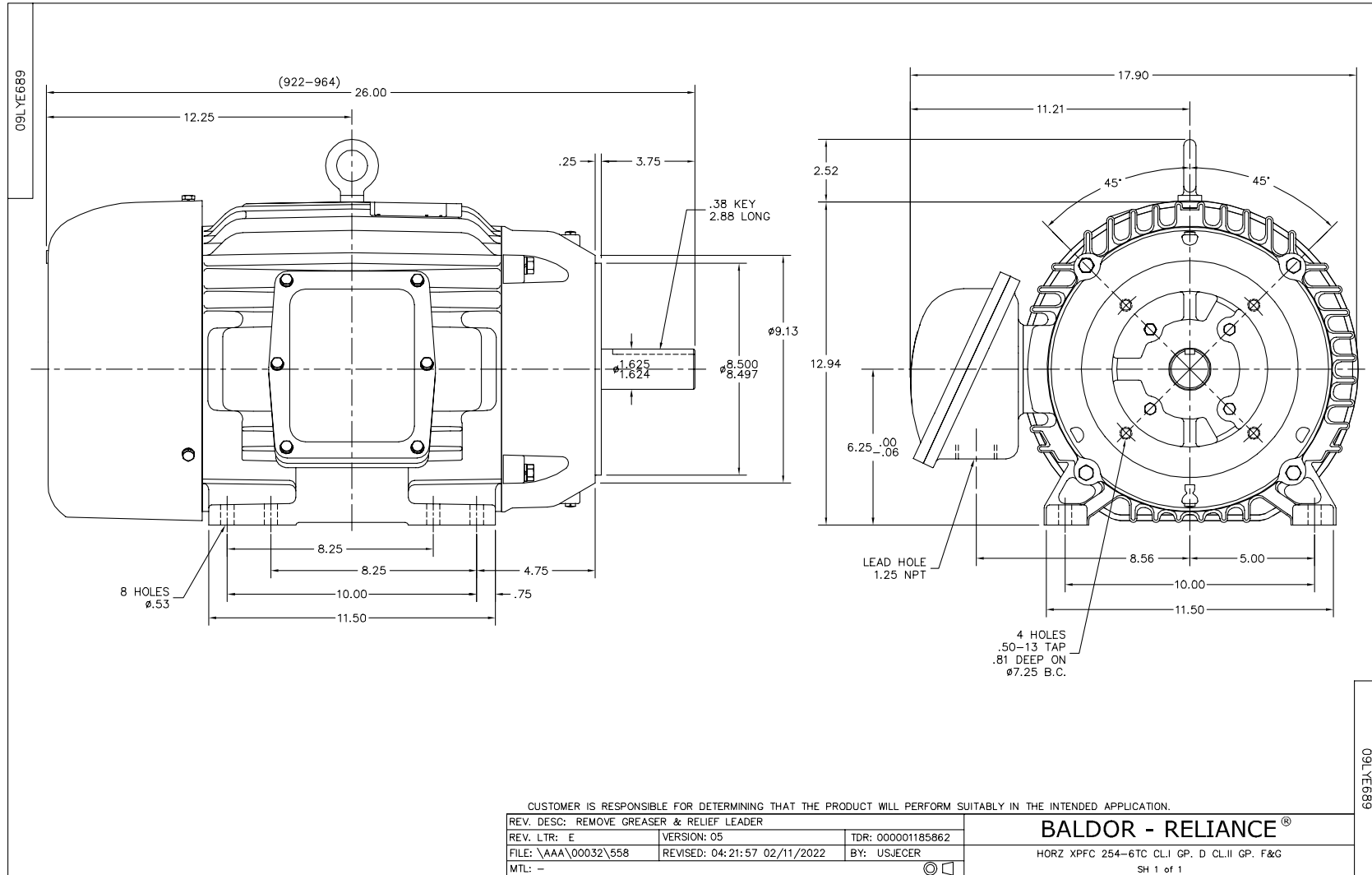
Winding: 09WGZ864-R001		Type: 0934M		Enclosure: XPFC	
Nameplate Data			380 V, 50 Hz: High Voltage Connection		
Rated Output (HP)	15//10	Full Load Torque	17.7 LB-FT		
Volts	230/460//190/380	Start Configuration	direct on line		
Full Load Amps	34.4/17.2//29/14.5	Breakdown Torque	97.6 LB-FT		
R.P.M.	3530//2940	Pull-up Torque	34.9 LB-FT		
Hz	60//50 Phase	3	Locked-rotor Torque	43.2 LB-FT	
NEMA Design Code	A KVA Code	H	Starting Current	125 A	
Service Factor (S.F.)	1.15		No-load Current	5.79 A	
NEMA Nom. Eff.	91 Power Factor	88	Line-line Res. @ 25°C	0.591 Ω	
Rating - Duty	40C AMB-CONT		Temp. Rise @ Rated Load	42°C	
S.F. Amps			Temp. Rise @ S.F. Load	51°C	
			Locked-rotor Power Factor	33.3	
			Rotor inertia	0.868 LB-FT ²	

Load Characteristics 380 V, 50 Hz, 10 HP

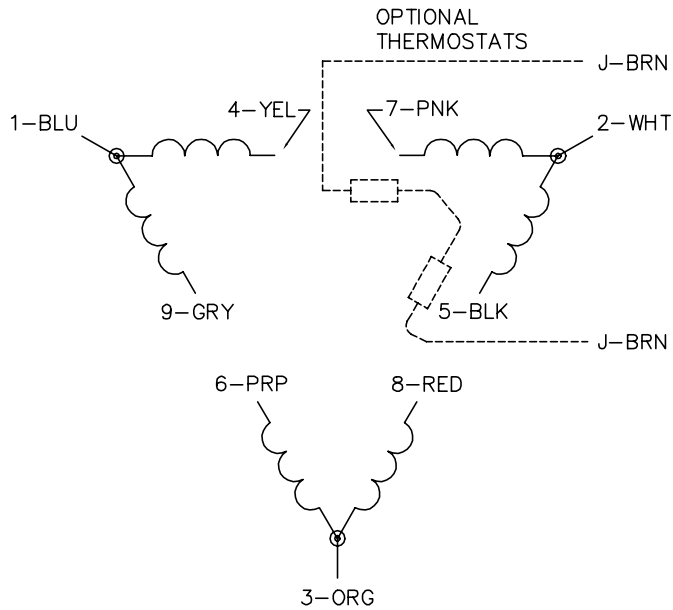
% of Rated Load	25	50	75	100	125	150	S.F.
Power Factor	51	73	82	87	89	89	88
Efficiency	84.8	90.1	91.3	91.2	91	90.6	91.1
Speed	2986	2973	2959	2946	2931	2914	2937
Line amperes	6.62	8.7	11.3	14.2	17.3	20.7	16.1

Performance Graph at 380V, 50Hz, 10.0HP Typical performance - Not guaranteed values

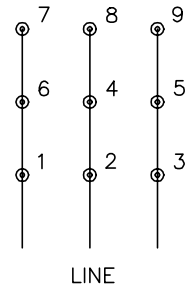




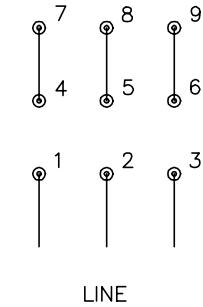
CD0180



LOW VOLTAGE
(2D)



HIGH VOLTAGE
(1D)



NOTES:

1. INTERCHANGE ANY TWO LINE LEADS TO REVERSE ROTATION.
2. OPTIONAL THERMOSTATS ARE PROVIDED WHEN SPECIFIED.
3. ACTUAL NUMBER OF INTERNAL PARALLEL CIRCUITS MAY BE A MULTIPLE OF THOSE SHOWN ABOVE.
4. LEAD COLORS ARE OPTIONAL. LEADS MUST ALWAYS BE NUMBERED AS SHOWN.

CD0180

REV. DESC: ADD CLASS CONN00000007		
REV. LTR: D	VERSION: 01	TDR: 000001099922
FILE: \AAA\00005\148	REVISED: 10:25:29 02/19/2019	BY: ENBRIRO
MTL: -	© □	

BALDOR - RELIANCE®

3PH, DV, 9 LEADS, DELTA CONNECTION

SH 1 of 1

Marketing maintained PDF of MN416:

<http://www.baldor.com/support/Literature/Load.ashx/MN416?ManNumber=MN416>