

**BALDOR® • RELIANCE** 

**Product Information Packet**

**CXM282542T**

**25//20HP,1775//1475RPM,3PH,60//50HZ,284T**

Part Detail							
Revision:	A	Status:	PRD/A	Change #:		Proprietary:	No
Type:	AC	Elec. Spec:	10WGZ651	CD Diagram:	CD0180	Mfg Plant:	
Mech. Spec:		Layout:	10LYE251	Poles:	04	Created Date:	02-17-2021
Base:		Eff. Date:	06-15-2021	Leads:	9#10		

Specs			
Catalog Number:	CXM282542T	Drip Cover:	No Drip Cover
Enclosure:	XPFC	Duty Rating:	CONT
Frame:	284TC	Electrically Isolated Bearing:	Not Electrically Isolated
Frame Material:	Iron	Feedback Device:	NO FEEDBACK
Output @ Frequency:	25.000 HP @ 60 HZ	Heater Indicator:	No Heater
	20.000 HP @ 50 HZ	Insulation Class:	F
Synchronous Speed @ Frequency:	1800 RPM @ 60 HZ	Inverter Code:	Inverter Duty
Voltage @ Frequency:	190.0 V @ 50 HZ	IP Rating:	NONE
	230.0 V @ 60 HZ	KVA Code:	J
	380.0 V @ 50 HZ	Lifting Lugs:	Standard Lifting Lugs
	460.0 V @ 60 HZ	Locked Bearing Indicator:	Locked Bearing
XP Class and Group:	CLI GP D; CLII GP F,G	Motor Lead Termination:	Flying Leads
XP Division:	Division I	Motor Type:	1054M
Agency Approvals:	UR	Mounting Arrangement:	F1
	CSA EEV	Power Factor:	81
	CSA	Product Family:	Hazardous Location Motor
Auxillary Box:	No Auxillary Box	Pulley Face Code:	C-Face
Auxillary Box Lead Termination:	None	Rodent Screen:	None

<b>Base Indicator:</b>	Rigid	<b>Shaft Ground Indicator:</b>	No Shaft Grounding
<b>Bearing Grease Type:</b>	Polyrex EM (-20F +300F)	<b>Shaft Rotation:</b>	Reversible
<b>Blower:</b>	None	<b>Speed Code:</b>	Single Speed
<b>Constant Torque Speed Range:</b>	6	<b>Motor Standards:</b>	NEMA
<b>Current @ Voltage:</b>	64.000 A @ 208.0 V	<b>Starting Method:</b>	Direct on line
	62.000 A @ 230.0 V	<b>Thermal Device - Bearing:</b>	None
	60.000 A @ 190.0 V	<b>Thermal Device - Winding:</b>	Normally Closed Thermostat
	31.000 A @ 460.0 V	<b>Vibration Sensor Indicator:</b>	No Vibration Sensor
	30.000 A @ 380.0 V	<b>Winding Thermal 1:</b>	None
<b>Design Code:</b>	A	<b>Winding Thermal 2:</b>	None
		<b>XP Temp Code:</b>	T3C

<b>Nameplate NP0887XPSLEV</b>										
NO.						CC	010A			
S/N						TEMP CODE	T3C			
SPEC.	10-0000-1976					INV.TYPE	PWM			
CAT.NO.	CXM282542T					C HP FR	60		C HP TO	90
HP	25//20					CT HZ FROM	6		CT HZ TO	60
VOLTS	230/460//190/380					VT HZ FROM	6		VT HZ TO	60
AMPS	62/31//60/30					MAG CUR	13.6			
RPM	1775//1475					MX RPM	2700			
HZ	60//50	PH	3	CL	F	NOM.EFF.	93.6			
SER.F.	1.15	DES	A	SL HZ	0.8	WK2	4.13			
FRAME	284TC	RATING	40C AMB-CONT							
NEMA MG-1 PART 5, IP54										
1.15 SF ON SINE WAVE										

Parts List		
Part Number	Description	Quantity
SA391075	SA 10-0000-1976	1.000 EA
RA381544	RA 10-0000-1976	1.000 EA
LB1115N	LABEL,LIFTING DEVICE (ON ROLLS)	1.000 EA
LB1119N	WARNING LABEL	1.000 EA
LC0181	CONNECTION LABEL	1.000 EA
NP0887XPSLEV	SS XP INV UL CSA-EEV CC CL-I GP-D	1.000 EA
85XU0407S04	4X1/4 U DRIVE PIN STAINLESS	4.000 EA
85XU0407S04	4X1/4 U DRIVE PIN STAINLESS	2.000 EA
MN416A01	TAG-INSTAL-MAINT no wire (2100/bx) 4/22	1.000 EA
LB1073	ALUM XP CAUTION LABEL	1.000 EA
10FH1008A01	310 FAN HOUSING X-PROOF MACH.	1.000 EA
HW1001A31	LOCKWASHER 5/16, ZINC PLT.591 OD, .319 I	3.000 EA
10XN3118K12	5/16-18 X .75 GRADE 5, ZINC PLATED	3.000 EA
09FN3001C02	EXTERNAL FAN, PLASTIC (COMES W/SCREW FRO	1.000 EA
HW2500A25	WOODRUFF KEY USA #1008 #BLOW CARBON STEE	1.000 EA
MJ1000A02	GREASE, MOBIL POLYREX EM - 124047	0.130 LB
WD4100A03	DE-750 HEYCO PLUG 62MP0750 MICRO PLASTIC	1.000 EA
10EP1701A01	FR ENDPLATE, MACH	1.000 EA
HA3050A03	3/8-16 X 2.25" GRADE 8 BOLT	4.000 EA
HW1001A38	LOCKWASHER 3/8, ZINC PLT .688 OD, .382 I	4.000 EA
HW5100A11	W3917-042 WVY WSHR (WB)	1.000 EA
HW4500A20	1/8NPT SL PIPE PLUG	1.000 EA
HW4500A20	1/8NPT SL PIPE PLUG	1.000 EA
10EP1710A07	FACE MTD. E.P., MACH X-PROOF W/LABYRINTH	1.000 EA

Parts List (continued)		
Part Number	Description	Quantity
HW1001A38	LOCKWASHER 3/8, ZINC PLT .688 OD, .382 I	4.000 EA
HA3050A03	3/8-16 X 2.25" GRADE 8 BOLT	4.000 EA
10XN2520K40	1/4-20 X 2-1/2 HEX HD CAPSCREW, GRADE 5,Z	4.000 EA
HW1001A25	LOCKWASHER 1/4, ZINC PLT .493 OD, .255 I	4.000 EA
HW4500A20	1/8NPT SL PIPE PLUG	1.000 EA
HW4500A20	1/8NPT SL PIPE PLUG	1.000 EA
12CB1001A01	K.O.BOX, MACH X-PROOF, 1.50 NPT HOLE	1.000 EA
10XN3118K16	5/16-18 X 1' GRADE #5, STL, ZINC PLATE	4.000 EA
HW1001A31	LOCKWASHER 5/16, ZINC PLT.591 OD, .319 I	4.000 EA
WD1000B25	GND LUG, BURNDY L125HP OR T&B L125HP-BB	1.000 EA
19XW3118G08	.31-18X.50,HEX WSHR HD,TAPTITE 2,GREEN	1.000 EA
12CB1501A01	COND.BOX LID, MACH., X-PROOF, 310,312	1.000 EA
10XN3816K20	3/8-16 X 1.25 HEX HD CAP GRADE 5	6.000 EA
HW1001A38	LOCKWASHER 3/8, ZINC PLT .688 OD, .382 I	6.000 EA
MG1025G29	WILKOFAS, 789.229, DARK CHARCOAL GRAY	0.125 GA
12PA1000	PACKAGING GROUP PRINT PK1024A07	1.000 EA
HW2501H28	KEY, 1/2 SQ X 3.250	1.000 EA

**AC Induction Motor Performance Data**

Record # 67490

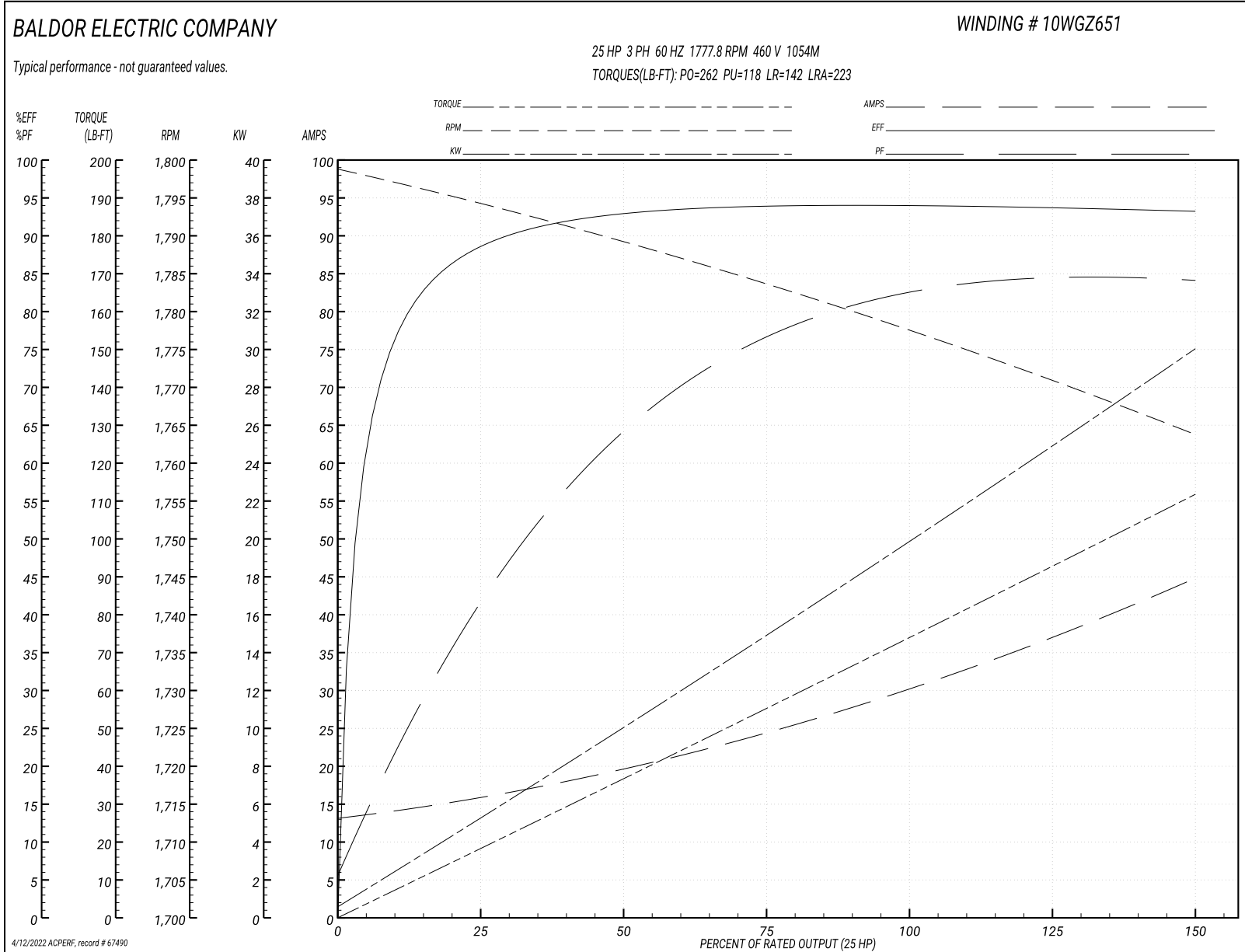
Typical performance - not guaranteed values

<b>Winding:</b> 10WGZ651-R010		<b>Type:</b> 1054M		<b>Enclosure:</b> XPFC	
<b>Nameplate Data</b>			<b>460 V, 60 Hz: High Voltage Connection</b>		
<b>Rated Output (HP)</b>	25//20	<b>Full Load Torque</b>	74.02 LB-FT		
<b>Volts</b>	230/460//190/380	<b>Start Configuration</b>	direct on line		
<b>Full Load Amps</b>	62/31//60/30	<b>Breakdown Torque</b>	262 LB-FT		
<b>R.P.M.</b>	1775//1475	<b>Pull-up Torque</b>	118 LB-FT		
<b>Hz</b>	60//50 <b>Phase</b>	3	<b>Locked-rotor Torque</b>	142 LB-FT	
<b>NEMA Design Code</b>	<b>A KVA Code</b>	J	<b>Starting Current</b>	223 A	
<b>Service Factor (S.F.)</b>	1.15		<b>No-load Current</b>	13.6 A	
<b>NEMA Nom. Eff.</b>	93.6 <b>Power Factor</b>	81	<b>Line-line Res. @ 25°C</b>	0.2345 Ω	
<b>Rating - Duty</b>	40C AMB-CONT		<b>Temp. Rise @ Rated Load</b>	51°C	
<b>S.F. Amps</b>			<b>Temp. Rise @ S.F. Load</b>	61°C	
			<b>Locked-rotor Power Factor</b>	30.6	

**Load Characteristics 460 V, 60 Hz, 25 HP**

<b>% of Rated Load</b>	<b>25</b>	<b>50</b>	<b>75</b>	<b>100</b>	<b>125</b>	<b>150</b>	<b>S.F.</b>
<b>Power Factor</b>	43	65	76	81	84	85	83
<b>Efficiency</b>	88.3	92.8	93.9	94	93.7	93.1	93.8
<b>Speed</b>	1794.1	1789.3	1783.5	1777.8	1770.8	1763.8	1774
<b>Line amperes</b>	15.3	19.3	24.6	30.6	37.2	44.5	34.6

Performance Graph at 460V, 60Hz, 25.0HP Typical performance - Not guaranteed values





**AC Induction Motor Performance Data**

Record # 67491

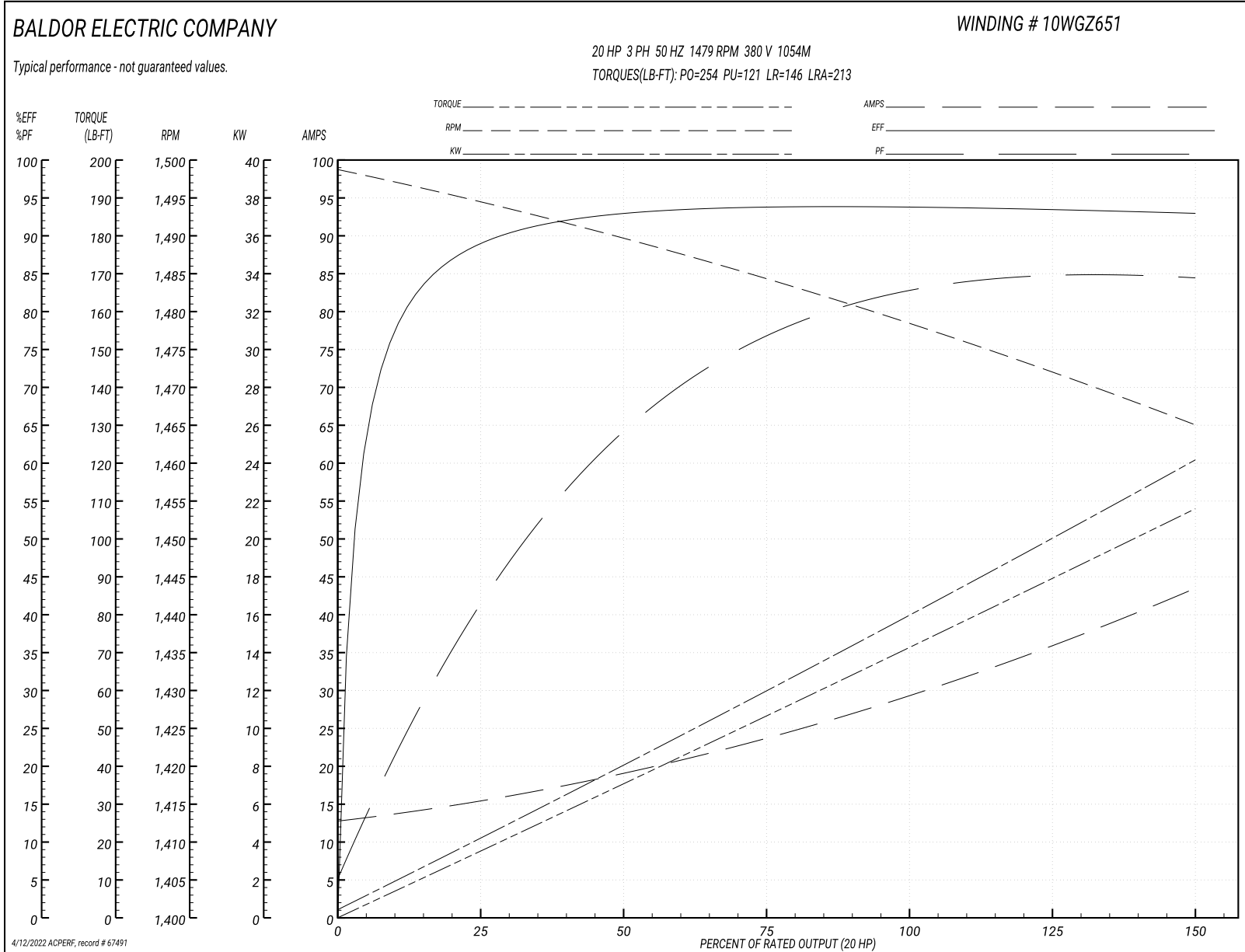
Typical performance - not guaranteed values

<b>Winding: 10WGZ651-R010</b>		<b>Type: 1054M</b>		<b>Enclosure: XPFC</b>		
<b>Nameplate Data</b>			<b>380 V, 50 Hz: High Voltage Connection</b>			
<b>Rated Output (HP)</b>	25//20		<b>Full Load Torque</b>	71.24 LB-FT		
<b>Volts</b>	230/460//190/380		<b>Start Configuration</b>	direct on line		
<b>Full Load Amps</b>	62/31//60/30		<b>Breakdown Torque</b>	254 LB-FT		
<b>R.P.M.</b>	1775//1475		<b>Pull-up Torque</b>	121 LB-FT		
<b>Hz</b>	60//50	<b>Phase</b>	3	<b>Locked-rotor Torque</b>	146 LB-FT	
<b>NEMA Design Code</b>	A		<b>KVA Code</b>	J	<b>Starting Current</b>	213 A
<b>Service Factor (S.F.)</b>	1.15		<b>No-load Current</b>	13.24 A		
<b>NEMA Nom. Eff.</b>	93.6	<b>Power Factor</b>	81	<b>Line-line Res. @ 25°C</b>	0.229 Ω	
<b>Rating - Duty</b>	40C AMB-CONT		<b>Temp. Rise @ Rated Load</b>	48°C		
<b>S.F. Amps</b>			<b>Temp. Rise @ S.F. Load</b>	58°C		
			<b>Locked-rotor Power Factor</b>	33.9		
			<b>Rotor inertia</b>	4.31 LB-FT <sup>2</sup>		

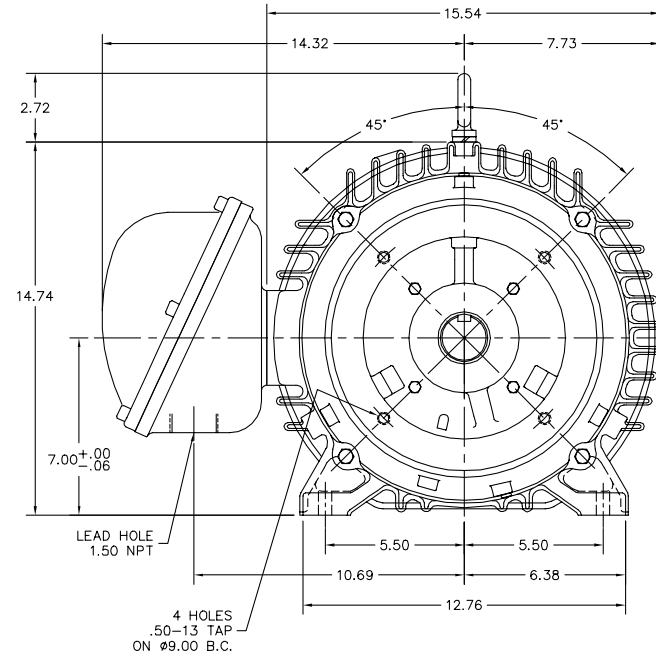
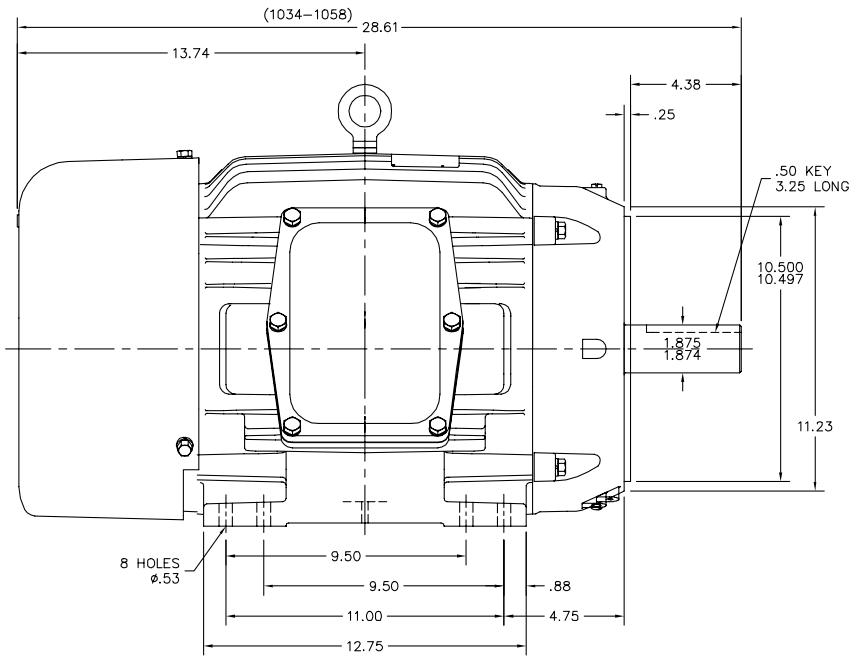
**Load Characteristics 380 V, 50 Hz, 20 HP**

<b>% of Rated Load</b>	<b>25</b>	<b>50</b>	<b>75</b>	<b>100</b>	<b>125</b>	<b>150</b>	<b>S.F.</b>
<b>Power Factor</b>	43	66	76	82	84	85	83
<b>Efficiency</b>	88.8	93	93.8	93.8	93.3	93	93.5
<b>Speed</b>	1494	1490	1484	1479	1472	1465	1475
<b>Line amperes</b>	14.85	18.69	23.83	29.65	36.06	43.14	33.5

Performance Graph at 380V, 50Hz, 20.0HP Typical performance - Not guaranteed values



10LYE251



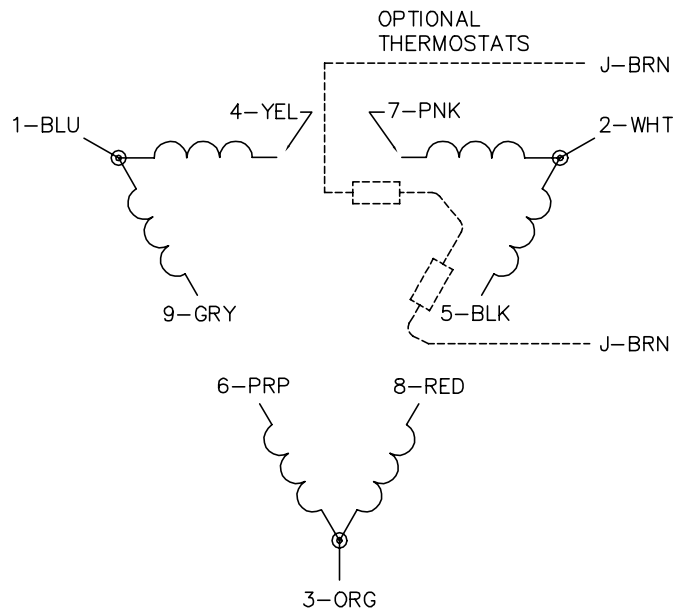
10LYE251

CUSTOMER IS RESPONSIBLE FOR DETERMINING THAT BALDOR'S PRODUCT WILL PERFORM SUITABLY IN THE INTENDED APPLICATION.

REV. DESC: REMOVE GSR LEADER	VERSION: 03	TDR: 000001157616
REV. LTR: E	REVISED: 02:02:12 01/07/2021	BY: ENBRISO
FILE: \AAA\00032\559		
MTL: -		

**BALDOR - RELIANCE**<sup>®</sup>  
 HORZ XPFC 284-6TC CL.I,GP.D;CL.II,GP.F&G  
 SH 1 of 1

CD0180



LOW VOLTAGE  
(2D)



HIGH VOLTAGE  
(1D)



NOTES:

1. INTERCHANGE ANY TWO LINE LEADS TO REVERSE ROTATION.
2. OPTIONAL THERMOSTATS ARE PROVIDED WHEN SPECIFIED.
3. ACTUAL NUMBER OF INTERNAL PARALLEL CIRCUITS MAY BE A MULTIPLE OF THOSE SHOWN ABOVE.
4. LEAD COLORS ARE OPTIONAL. LEADS MUST ALWAYS BE NUMBERED AS SHOWN.

CD0180

REV. DESC: ADD CLASS CONN00000007		
REV. LTR: D	VERSION: 01	TDR: 000001099922
FILE: \AAA\00005\148	REVISED: 10:25:29 02/19/2019	BY: ENBRIRO
MTL: -	© □	

**BALDOR - RELIANCE®**

3PH, DV, 9 LEADS, DELTA CONNECTION

SH 1 of 1

Marketing maintained PDF of MN416:

<http://www.baldor.com/support/Literature/Load.ashx/MN416?ManNumber=MN416>